

Type _____

-75

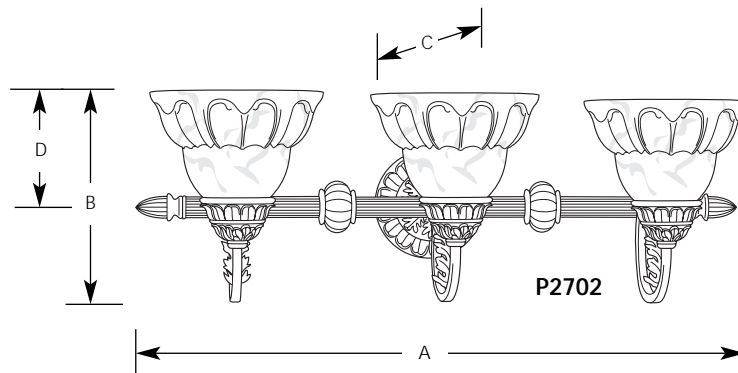
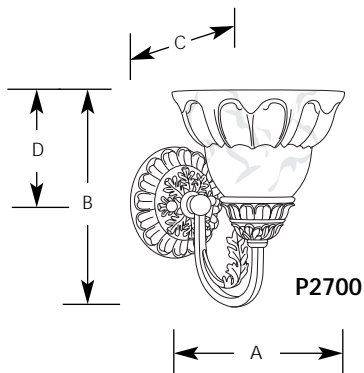
P2700

P2701

P2702

P2703

Catalog No.	Finish Aged Mahogany	Lamping	Dimensions (Inches)			
			A	B	C	D
P2700	-75	1 (m) 100w	7-1/2	9-1/8	8-3/4	5
P2701	-75	2 (m) 100w	17-3/8	9-1/8	9-1/2	5
P2702	-75	3 (m) 100w	26-3/4	9-1/8	9-1/2	5
P2703	-75	4 (m) 100w	36	9-1/8	9-1/2	5



Specifications:

General

- Gold accents on an aged mahogany finish
- Etched marbled antique glass shades
- Scrolled acanthus leaves accent arms and back plate
- Round back plate
- Hand painted finish
- Steel construction with poly-resin accents
- Companion fixtures: Chandelier, hall and foyer, wall bracket, table lamp, pendant, and close to ceiling units

Mounting

- Wall mounted
- Back plate covers a standard 4" recessed hexagonal outlet box
- Mounting strap for outlet box included
- Threaded socket ring secures glass

Electrical

- Pre-wired
- Ceramic medium based sockets

Labeling

- UL-CUL damp location listed