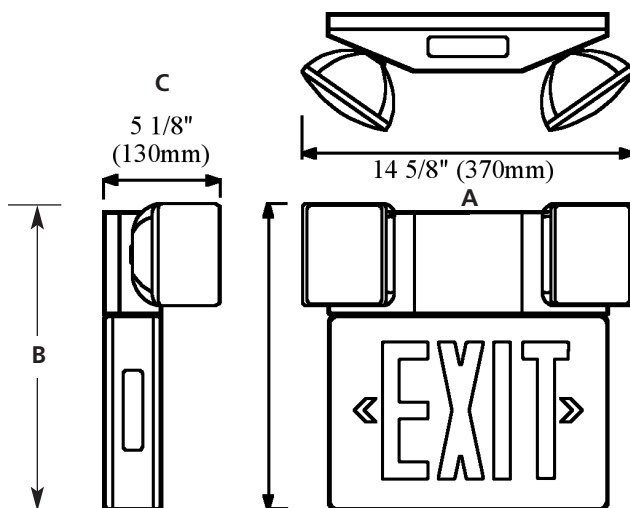


Type _____
-30
PE003
PE004

Catalog No.	Finish	Letters	Dimensions (Inches)		
	White		A	B	C
PE003	-30	Red	14-5/8	13-3/8	5-1/8
PE004	-30	Green	14-5/8	13-3/8	5-1/8



Specifications:

General

- Exit signs with two, top mounted emergency heads
- The injection molded white plastic housing has soft rounded corners.
- Included snap fit canopy and second face permit end or surface mounting
- Single or double face
- Snap fit replaceable chevrons for directional indication
- The Exit sign has long life Light Emitting Diode (LED) lamps provide maximum lamp life and energy savings
- The emergency unit has two 5.4 watt T5 lamps, included
- Integral battery pack permits exit sign and emergency unit to be self powered during power outages

Mounting

- End, or surface mounted
- Snap-in canopy for end mounting
- Canopy or housing covers a standard recessed 4" octagonal outlet box.
- Mounting hardware included

Electrical/Battery

- 120/277v dual input
- Sealed Lead Calcium 6v, 4.5 AH battery with a maximum full recharge time of 24 hours. Minimum 1-1/2 hour emergency operation
- Low voltage disconnect prevents deep discharge and maintains battery life
- Automatic solid state charger
- Test switch with LED charge indicator/AC voltage indicator
- Line latching feature prevents unit from turning on during installation to a non-energized AC circuit.

Labeling

- UL damp location listed
- UL924 listed
- Housing is UL94-5V rated
- Meets Life Safety NFPA 101 requirements



Progress Lighting
Post Office Box 5704
Spartanburg, South Carolina
29304-5704

www.progresslighting.com