



Compact Fluorescent

**8" Pro-Optic™ Housing**  
**26w Quad Tube**  
**2 Horizontal Lamps**  
**Non-IC**

**Recessed**

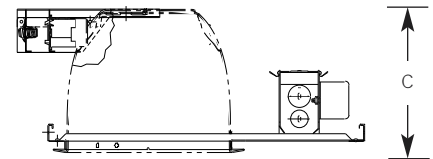
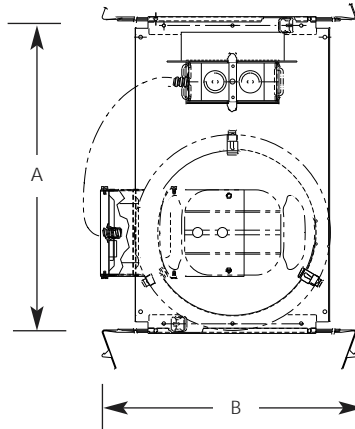
Type \_\_\_\_\_  
 -277 -DVEB

P8226

Catalog No.	Lamping	Dimensions (Inches)		
		A	B	C
P8226	(2) 26w Quad Tubes	15-3/4	9-5/8	7-1/8

Ceiling Opening = 8-3/8

Maximum Ceiling Thickness = 1-1/4



• Trim must be ordered separately; P8130 trim shown above

**Specifications:**

Electrical

- Universal heavy gauge junction box with snap-out sides
- Grounding pigtail
- 1/2" & 3/4" pryouts for rigid or BX fittings
- Magnetic 120V (HPF) HPF ballast
- Rated for 8 #12 90-degree conductors (4 in, 4 out)
- All ballast options contain thermal protection and are HPF
- All electronic ballast options contain end of life circuit protection

Construction

- Double horizontal 26w Quad tube compact fluorescent
- Notched housing for chalkline or laser alignment
- Full wrap-around mounting frame
- Galvanized steel construction
- Trims adjust to accommodate 1/2" to 1-1/4" thick ceilings

Bar Hangers

- Integral nailers for wood joist construction
- Securely span 24" T-bar spacing
- Captive and factory installed
- Galvanized steel

Labeling

- UL 1570 and CUL listed for damp location and through branch wiring
- Non-IC rated
- Approved for use in New York City per calendar #42270

Lamp/Trim

- Socket box mounts securely to reflector for consistent lamp positioning
- Lamps positioned in reflector to optimize photometric performance
- Trim retention accomplished by use of 3 spring clips attached to aperture of frame-in
- Trim must be ordered separately

Options

- All emergency battery pack options are factory installed and pre-wired (See emergency section for specifications)

Catalog #	Description	Lamp Base	Current	Input Watts	Line	Min.
					Start	Temp
P8226	120V Magnetic	G24d-3	.52	50	50	50
P8226-277	277V Magnetic	G24d-3	.26	62	15	15
P8226-DVEB	120/277V Electronic	G24q-3	.46/21	54	-4	-4
P8226-EM	120V Magnetic Emergency	G24d-3	.52	50	50	50
P8226-277EM	277V Magnetic Emergency	G24d-3	.26	62	15	15
P8226-DVEBEM	120/277V Electronic Emergency	G24q-3	.46/21	54	-4	-4
P8226DM	120V Electronic Dimmable	G24q-3	.48	58	50	50

\* Technical data is for two lamps.

Progress Lighting  
 Post Office Box 5704  
 Spartanburg, South Carolina  
 29304-5704

www.progresslighting.com



Compact Fluorescent **6" Pro-Optic™ Emergency Housing** **Emergency**  
**26w Quad Tube**  
**2 Horizontal Lamps**  
**Non-IC**

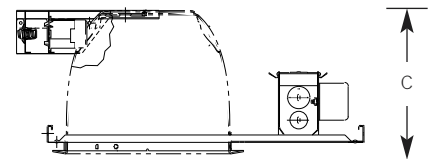
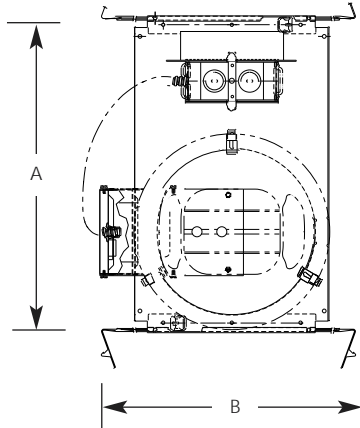
Type \_\_\_\_\_

-EM -277EM -EBEM -277EBEM  
P8226

Catalog No.	Lamping	Dimensions (Inches)		
		A	B	C
P8226-EM	(2) 26w Quad Tubes	15-3/4	9-5/8	7-1/8

Ceiling Opening = 8-3/8

Maximum Ceiling Thickness = 1-1/4



• Trim must be ordered separately; P8130 trim shown above.

**Specifications:**

Electrical

- Universal heavy gauge junction box with snap-out sides
- Grounding pigtail
- 1/2" & 3/4" pryouts for rigid or BX fittings
- Magnetic 120V (HPF) HPF ballast
- Rated for 8 #12 90-degree conductors (4 in, 4 out)
- All ballast options contain integral thermal protection
- Emergency unit is wired to ballast and lamp holders at factory
- Indicator light and test switch are located on inside top reflector surface and is easily accessible between lamps

Construction

- Double horizontal 26w Quad tube compact fluorescent
- Notched housing for chalkline or laser alignment
- Full wrap around mounting frame
- Galvanized steel construction
- Trims adjust to accommodate 1/2" to 1-1/2" thick ceilings

Bar Hangers

- Integral nailers for wood joist construction
- integral T-bar mounting clamps
- Securely span 24" T-bar spacing
- Integral set-screw lock to secure housing
- Captive and factory installed
- 90-degree mounting for tight spaces
- Galvanized steel

Labels

- UL 924 listed for damp location and through branch wiring
- Non-IC rated
- Meets or exceeds all NEC and NFPA Life Safety Code Emergency Lighting Requirements

Lamp/Trim

- Socket box mounts securely to reflector for consistent lamp positioning
- Lamps positioned in reflector to optimize photometric performance
- Trim retention accomplished by use of 3 spring clips located inside aperture of frame-in

Performance

- 650 total initial lumens; 325 initial lumens per lamp
- Operates in emergency mode for 90 minutes
- 3.6 volt high temperature, Ni-Cad battery
- 100% inspection prior to shipment

Options

Specify After Catalog #

- EM 120V Magnetic HPF Ballast with Emergency Battery Pack
- 277EM 277 Volt Magnetic HPF Ballast with Emergency Battery Pack
- DVEBEM 120/277V Electronic Ballast with Emergency Battery Pack

Progress Lighting  
Post Office Box 5704  
Spartanburg, South Carolina  
29304-5704

www.progresslighting.com