



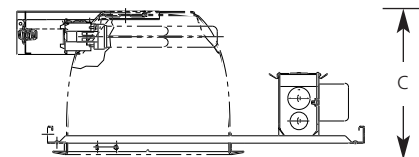
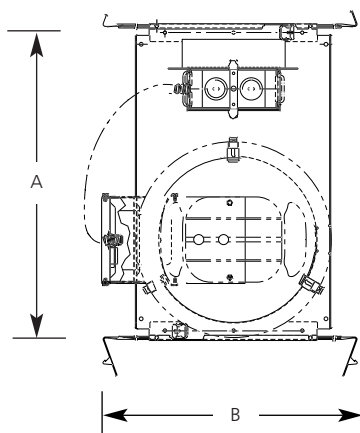
Compact Fluorescent
Housings

8" Pro-Optic™ Housing
13w Twin or Quad Tube
2 Horizontal Lamps
Non-IC

Recessed

Type _____
P8213

Catalog No.	Lamping	Dimensions (Inches)		
		A	B	C
P8213	(2) 13w Twin or Quad Tubes	15-3/4	9-5/8	7-1/8
		Ceiling Opening = 8-3/8		
		Maximum Ceiling Thickness = 1-1/4		



• Trim must be ordered separately; P8130 trim shown above

Specifications:

Electrical

- Universal heavy gauge junction box with snap-out sides
- Grounding pigtail
- 1/2" & 3/4" pryouts for rigid or BX fittings
- Magnetic 120V (HPF) high power factor ballast
- Rated for 8 #12 90-degree conductors (4 in, 4 out)
- All ballast options contain thermal protection and are HPF
- All electronic ballast options contain end of life circuit protection

Construction

- Double horizontal 13w Twin or Quad tube compact fluorescent
- Notched housing for chalkline or laser alignment
- Full wrap-around mounting frame
- Galvanized steel construction
- Trims adjust to accommodate 1/2" to 1-1/4" thick ceilings

Bar Hangers

- Integral nailers for wood joist construction
- Securely span 24" T-bar spacing
- Captive and factory installed
- Galvanized steel

Labeling

- UL 1570 and CUL listed for damp location and feed through wiring
- Non-IC rated
- Approved for use in New York City per calendar #42270

Lamp/Trim

- Socket box mounts securely to reflector for consistent lamp positioning
- Lamps positioned in reflector to optimize photometric performance
- Trim retention accomplished by use of 3 spring clips attached to frame-in
- Trim must be ordered separately

Options

- All emergency battery pack options are factory installed and pre-wired (See emergency section for specifications)

Catalog #	Description	Line		
		Current	Input	Min. Start
		Amps	Watts	Temp
P8213	120V Magnetic	.27	31	32
P8213-277	277V Magnetic	.10	26	32
P8213-EB	120V Electronic	.25	30	0
P8213-EM	120V Magnetic Emergency	.27	31	32
P8213-277EM	277V Magnetic Emergency	.10	26	32
P8213-EBEM	120V Electronic Emergency	.25	30	0
P8213-277EBEM	277V Electronic Emergency	.11	29	-4

* Technical data is for two lamps.

Progress Lighting
Post Office Box 5704
Spartanburg, South Carolina
29304-5704

www.progresslighting.com

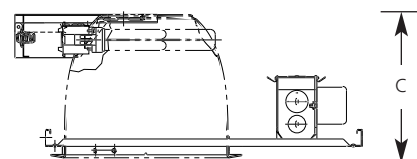
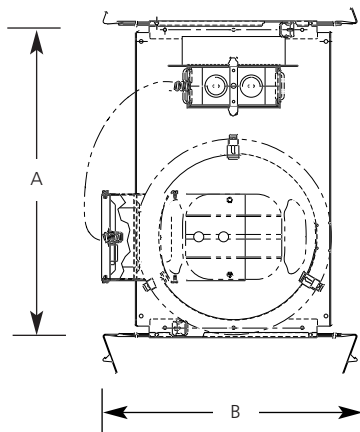
Rev. 1/04



Compact Fluorescent **8" Pro-Optic™ Emergency Housing** **Emergency**
2 Horizontal Lamps
Non-IC

	Type _____			
	-EM	-277EM	-EBEM	-277EBEM
P8213	<input type="checkbox"/>	<input type="checkbox"/>	<input type="checkbox"/>	<input type="checkbox"/>

Catalog No.	Lamping	Dimensions (Inches)		
		A	B	C
P8213-EM	(2) 13w Twin or Quad Tubes	15-3/4	9-5/8	7-1/8
		Ceiling Opening = 8-3/8		
		Maximum Ceiling Thickness = 1-1/4		



• Trim must be ordered separately; P8130 trim shown above

Specifications:

Electrical

- Universal heavy gauge junction box with snap-out sides
- Grounding pigtail
- 1/2" & 3/4" pryouts for rigid or BX fittings
- Magnetic 120V (HPF) HPF ballast
- Rated for 8 #12 90-degree conductors (4 in, 4 out)
- All ballast options contain integral thermal protection
- Emergency unit is wired to ballast and lamp holders at factory
- Indicator light and test switch are located on inside top reflector surface and is easily accessible between lamps

Construction

- Double horizontal 13w Twin or Quad tube compact fluorescent
- Notched housing for chalkline or laser alignment
- Full wrap around mounting frame
- Galvanized steel construction
- Trims adjust to accommodate 1/2" to 1-1/4" thick ceilings

Bar Hangers

- Integral nailers for wood joist construction
- integral T-bar mounting clamps
- Securely span 24" T-bar spacing
- Integral set-screw lock to secure housing
- Captive and factory installed
- 90-degree mounting for tight spaces
- Galvanized steel

Labels

- UL 924 listed for damp location and through branch wiring
- Non-IC rated
- Meets or exceeds all NEC and NFPA Life Safety Code Emergency Lighting Requirements

Lamp/Trim

- Socket box mounts securely to reflector for consistent lamp positioning
- Lamps positioned in reflector to optimize photometric performance
- Trim retention accomplished by use of 3 spring clips located inside aperture of frame-in

Performance

- 650 total initial lumens; 325 initial lumens per lamp
- Operates in emergency mode for 90 minutes
- 3.6 volt high temperature, Ni-Cad battery
- 100% inspection prior to shipment

Options

Specify After Catalog #	
-EM	120V Magnetic HPF Ballast with Emergency Battery Pack
-277EM	277 Volt Magnetic HPF Ballast with Emergency Battery Pack
-EBEM	120V Electronic Ballast with Emergency Battery Pack
-277EBEM	277 Volt Electronic Ballast with Emergency Battery Pack

Progress Lighting
 Post Office Box 5704
 Spartanburg, South Carolina
 29304-5704

www.progresslighting.com