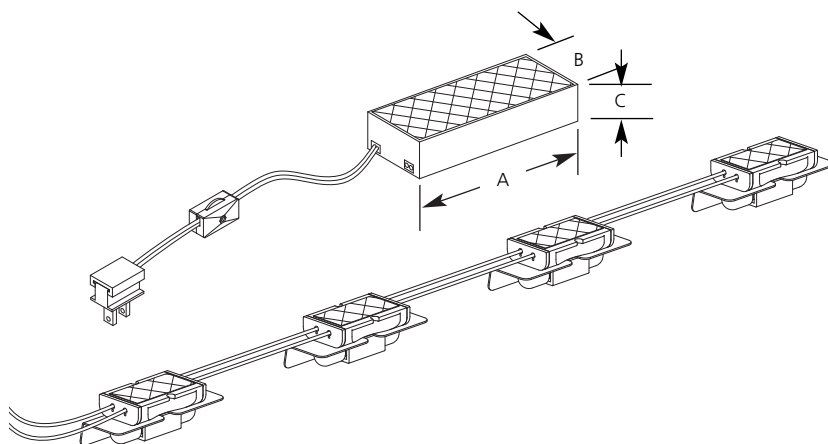


Type \_\_\_\_\_  
 -30WB -31WB  
 P7537

Catalog No.	Finish		Lamping	Dimensions (Inches)		
	White	Black		A	B	C
P7537	-30WB	-31WB	(8) 5W wedge base Xenon	4	1-1/2	7/8



**Specifications:**

Transformer

- Electronic
- Class II 12V 20-60W transformer
- Input 120V 50/60Hz 0.5A, Output 11.5V 60W
- Class 2/Level 3
- Shipped with peel and stick adhesive backing as a means for attaching to underside of cabinet
- Provided input wire (SPT-2 #18 AWG X 2C 105C, X 8' long) for 120V supply
- 2 integral push-in, speaker wire style, connections for stranded #18 AWG wire on output side
- Low profile allows transformer to be easily hidden from view
- Built in short circuit protection
- No operational noise

Lampholder

- Wedge base
- Each shipped with 2 #18 AWG 18" wire leads for linking to next lampholder or for installation into transformer
- 2 open port stab-in wire connection openings for linking to next lampholder
- Peel and stick adhesive backing as a means for attaching to underside of cabinet

Accessories (included)

- UL listed roller switch that can be installed anywhere along the input wires
- (8) 5W wedge base Xenon lamps included
- Lamps contain over 90% Xenon gas for high efficiency and 10,000 hour lamp life
- (1) 120V snap on electrical plug can be installed anywhere along the input wires

Labels

- UL/CUL listed damp location
- Class B FCC EMI rating

Progress Lighting  
 Post Office Box 5704  
 Spartanburg, South Carolina  
 29304-5704

www.progresslighting.com

