

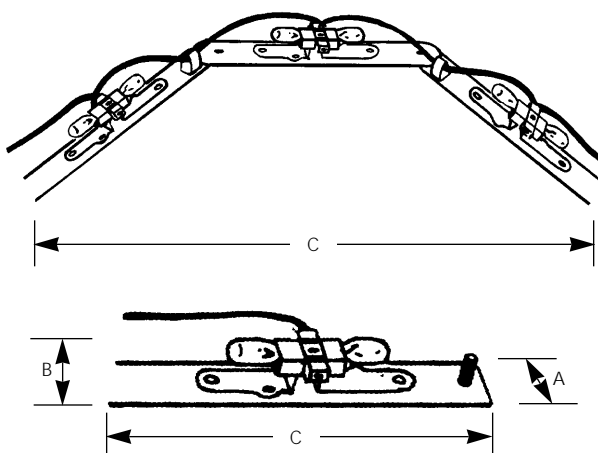
Type _____

-01WB

P7507

P7508

Catalog No.	Finish		Wattage	Dimensions (Inches)		
	White	Lamping		A	B	C
P7507	-01WB	6-3w Incandescent	18w	3/4	3/4	18-3/4
P7508	-01WB	6-5w Xenon	30w	3/4	3/4	18-3/4



Specifications:

General

- Flexi strips are used for corners and curves to light inside cabinets, valances, toe spaces and alcoves in conjunction with open strips and covered strips.
- Can handle inside or outside curves down to a radius of 6"
- Can handle angles as small as 23 degrees
- Three sections move independently
- P7507 -12v 3 watt incandescent lamps included (T3-1/2 wedge base #161)
- P7508 -12v 5 watt Xenon lamps included (6,000 hours life - P7800-01 replacement)
- Twin lamp sockets on 6" centers
- Natural aluminum construction
- May be cut to length
- Companion open strip for straight runs, and covered strips for under cabinets are available

Mounting

- Flush mounted in any concealed area
- Mounting screws provided

Electrical

- 12 volt system
- Units must be connected to an approved 12v transformer of the proper capacity
- Units must be properly grounded
- Wedge based sockets

Labeling

- UL-CUL damp location listed