



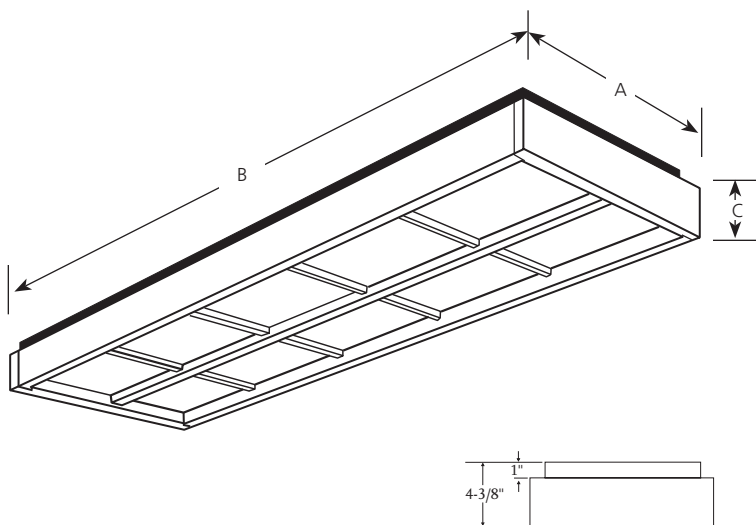
Linear Fluorescent

Oak Finish Grid  
Electronic Ballasts

Modular Fluorescent

Type \_\_\_\_\_  
 -35EB  
 P7334   
 P7335   
 P7336

Catalog No.	Finish Light Oak	Lamping	Dimensions (Inches)		
			A	B	C
P7334	-35EB	2-F32T8	11-1/8	49-1/2	4-1/4
P7335	-35EB	2-F32T8	25-1/4	25-7/8	4-1/4
P7336	-35EB	4-F32T8	17-1/8	49-1/2	4-1/4



**Specifications:**

General

- Light Oak (-35) frame
- Matching grid assembly with flat white acrylic diffuser
- Grid assembly and diffuser are lift and shift action for lamp replacement and servicing
- Regressed reveal gives floating effect
- White steel chassis
- Sockets metal backed
- Easily removable cover for ballast access
- Utilizes T8 lamps for electronic ballasts

- Ceiling mounted
- Covers any outlet box

Electrical

- 120V HPF electronic ballasts (277V available on request)
- Bi-pin twist in sockets - "U" lamp are snap in

Labeling

- UL-CUL listed

Note: All are non-stock items

Mounting

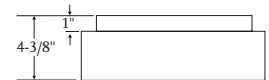
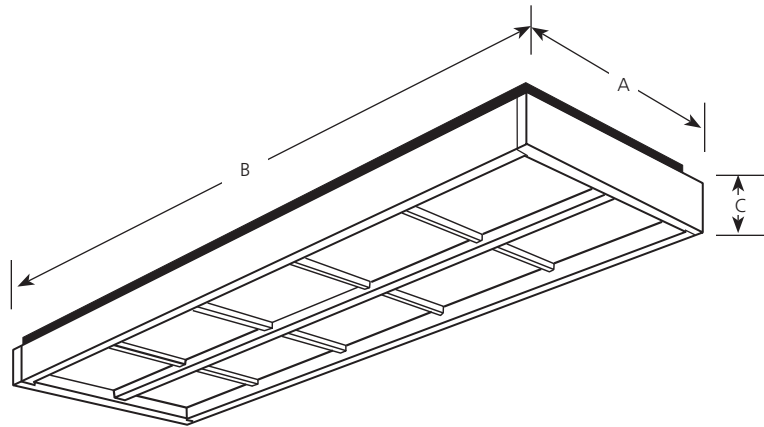


Progress Lighting  
 Post Office Box 5704  
 Spartanburg, South Carolina  
 29304-5704

www.progresslighting.com

Type \_\_\_\_\_  
 -35ES  
 P7334   
 P7335   
 P7336

Catalog No.	Finish Light Oak	Lamping	Dimensions (Inches)		
			A	B	C
P7334	-35ES	2-F34T12	11-1/8	49-1/2	4-1/4
P7335	-35ES	2-FB34/6	25-1/4	25-7/8	4-1/4
P7336	-35ES	4-F34T12	17-1/8	49-1/2	4-1/4



**Specifications:**

General

- Light Oak (-35) frame
- Matching grid assembly with flat white acrylic diffuser
- Grid assembly and diffuser are lift and shift action for lamp replacement and servicing
- Regressed reveal gives floating effect
- White steel chassis
- Sockets metal backed
- Easily removable cover for ballast access
- Recommend energy saving T12 lamps

Mounting

- Ceiling mounted
- Covers any outlet box

Electrical

- 120V HPF ballasts (277V available on request)
- Bi-pin twist in sockets - "U" lamp are snap in

Labeling

- UL-CUL listed