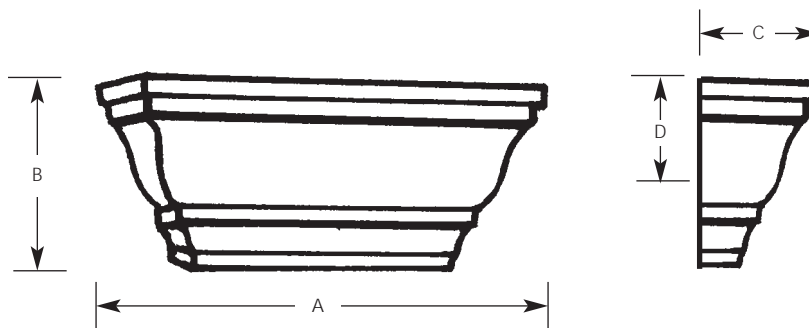


Type _____
-30
P7190

Catalog No.	Finish	Lamping	Socket	Dimensions (Inches)			
				A	B	C	D
P7190	White -30	2-13w Twin CF	GX23	14	6	4	2-3/4



Specifications:

General

- Wood crown molding, complete sconce
- White finish
- Can be refinished to match room decor
- Direct-Indirect illumination
- Complies with " American with Disabilities Act" - ADA

Electrical

- 120V NPF ballast standard
- Pre-wired

Labeling

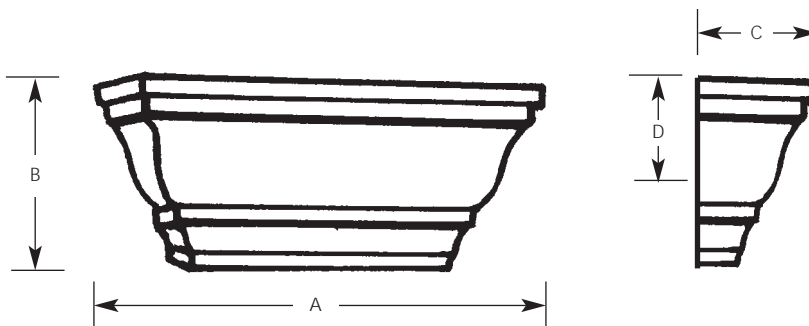
- UL-CUL listed

Mounting

- Horizontal wall mount
- Full sized backplate covers outlet box
- Mounting strap included for mounting to outlet box

Type _____
-30EB
P7190

Catalog No.	Finish White	Lamping	Socket	Dimensions (Inches)			
				A	B	C	D
P7190	-30EB	2-13w Quad CF (4-pin)	GX24q-1	14	6	4	2-3/4



Specifications:

General

- Wood crown molding, complete sconce
- White finish
- Can be refinished to match room decor
- Direct-Indirect illumination
- Complies with "American with Disabilities Act" - ADA

Electrical

- 120V HPF electronic ballast
- Pre-wired

Labeling

- UL-CUL listed

Mounting

- Horizontal wall mount
- Full sized backplate covers outlet box
- Mounting strap included for mounting to outlet box



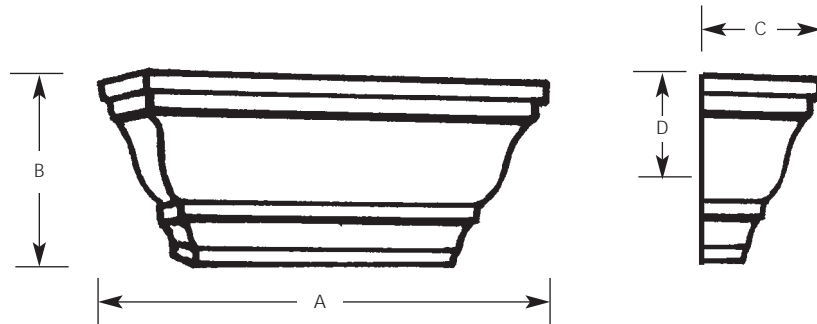
Compact Fluorescent

Wood Crown Moulding
Energy Star

Wall Sconce

Type _____
-30STRWB
P7190

Catalog No.	Finish		Dimensions (Inches)			
	White	Lamping	A	B	C	D
P7190	-30STRWB	2-13w Quad CFL (4 Pin)	11	6	4	2-3/4



Specifications:

General

- White crown molding, complete sconce
- White finish
- Can be refinished to match room decor
- Unit complies with Energy Star requirements
- Complies with "Americans with Disability Act" - ADA
- Direct Indirect illumination
- Wood and steel construction

Electrical

- Pre-wired
- 120v NPF electronic ballast
- G24q-1 sockets

Labeling

- UL-CUL listed

Mounting

- Horizontal wall mount
- Back plate covers a standard 4" octagonal recessed outlet box
- Mounting strap included for mounting to outlet box



Progress Lighting
Post Office Box 5704
Spartanburg, South Carolina
29304-5704

www.progresslighting.com