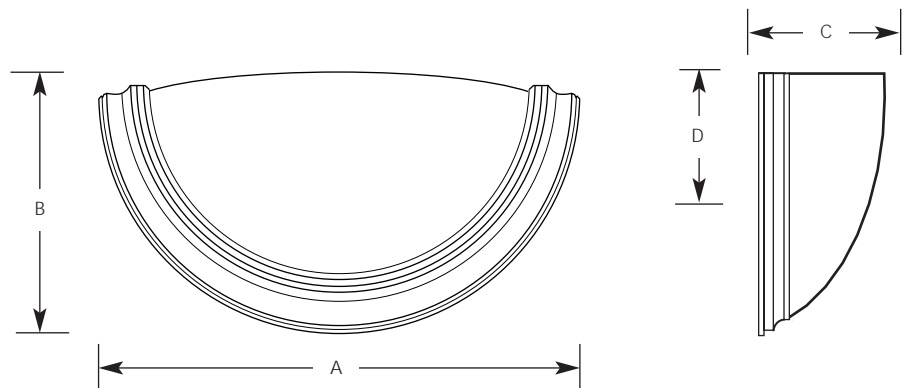


Type _____
 -10 -13
 P7171

Catalog No.	Finish		Lamping	Socket	Dimensions (Inches)			
	Polished Brass	Brushed Steel			A	B	C	D
P7171	-10	-13	1-13w Twin CF	GX23	15-1/4	7-1/2	4	3



Specifications:

General

- Satin white glass, complete scone
- Polished Brass (-10) or Brushed Steel (-13) trim
- Direct-Indirect illumination
- White inner reflector
- Matching Foyer and Close-to-Ceiling units
- Complies with " American with Disabilities Act" - ADA

Electrical

- 120V HPF ballast
- Pre-wired
- GX23 base sockets

Labeling

- UL-CUL listed

Mounting

- Horizontal wall mount
- Full sized backplate covers outlet box
- Mounting strap included for mounting to outlet box



Compact Fluorescent

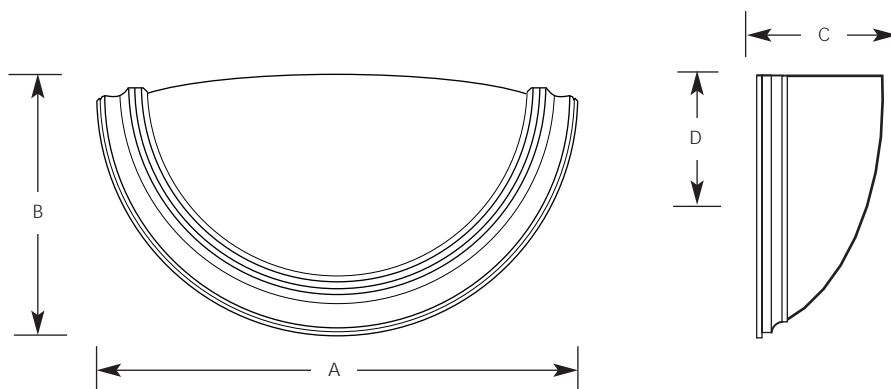
Eclipse Collection

Sconces

Satin White Glass
Electronic Ballasts

Type _____
-10EB -13EB
P7171

Catalog No.	Finish		Lamping	Socket	Dimensions (Inches)			
	Polished Brass	Brushed Steel			A	B	C	D
P7171	-10EB	-13EB	1-13w Quad CF (4-pin)	GX24q-1	15-1/4	7-1/2	4	3



Specifications:

General

- Satin white glass, complete sconce
- Polished Brass (-10) or Brushed Steel (-13) trim
- Direct-Indirect illumination
- White inner reflector
- Matching Foyer and Close-to-Ceiling units
- Complies with " American with Disabilities Act" - ADA

Electrical

- 120V HPF electronic ballast
- Pre-wired
- GX24q-1 base sockets

Labeling

- UL-CUL listed

Mounting

- Horizontal wall mount
- Full sized backplate covers outlet box
- Mounting strap included for mounting to outlet box

Progress Lighting
Post Office Box 5704
Spartanburg, South Carolina
29304-5704

www.progresslighting.com

Rev. 1/03



Compact Fluorescent

Eclipse Collection

Wall Sconce

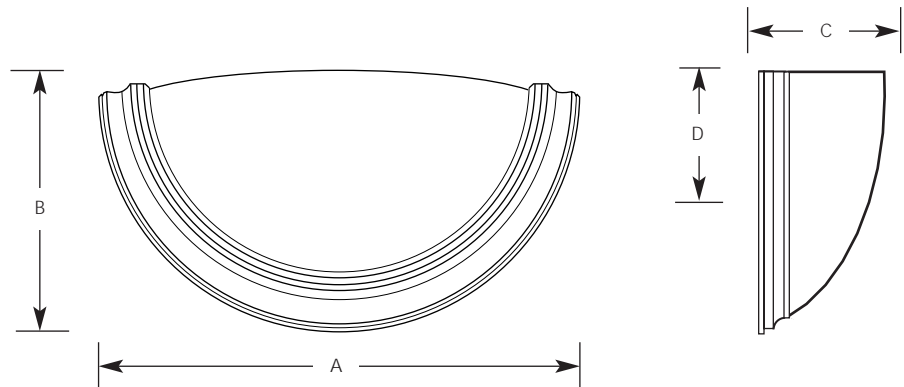
Satin White Glass
Energy Star

Type _____

-10STRWB -13STRWB

P7171

Catalog No.	Finish		Lamping	Dimensions (Inches)			
	Polished Brass	Brushed Steel		A	B	C	D
P7171	-10STRWB	-13STRWB	1-13w Quad CFL (4-pin) (Included)	15-1/4	7-1/2	4	3



Specifications:

General

- Satin white opal glass
- Polished Brass (-10) or Brushed Steel (-13) plated finishes
- Horizontal mount complete sconce
- Unit complies with Energy Star requirements
- Complies with "Americans with Disability Act" - ADA
- Steel construction
- Matching foyer and close to ceiling units

Mounting

- Horizontal wall mount
- Back plate covers a standard 4" octagonal recessed outlet box
- Mounting strap for outlet box included

Electrical

- Pre-wired
- 120v NPF electronic ballast
- G24q-1 socket

Labeling

- UL-CUL listed



Progress Lighting
Post Office Box 5704
Spartanburg, South Carolina
29304-5704

www.progresslighting.com

Rev. 4/06