

Incandescent

Complete Round

Recessed

Unwired

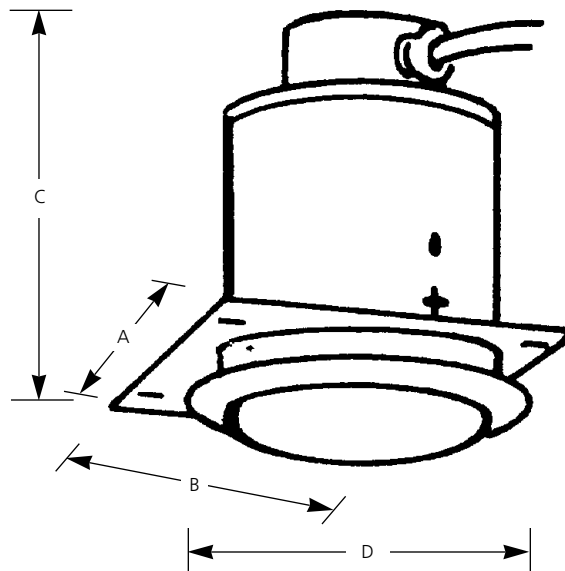
Non-IC

Type _____

-TG

P6917

Catalog No.	Finish White	Lamping	Dimensions (Inches)			
			A	B	C	D
P6917	-TG	45w BR30	6-5/8	6-5/8	5-3/4	5-7/8
			Ceiling opening 4-1/2			



Specifications:

Wiring

- No junction box provided
- Fitter for 1/2" conduit or BX cable provided
- 4-1/2 feet of wire furnished

Construction-Mounting

- Steel construction throughout
- Mounting frame is installed first
- Trim and housing are one unit and push up into mounting frame
- Clips furnished for mounting housing in finished ceiling
- Maximum ceiling thickness is 1-1/2"
- 26" adjustable bar hangers available, order P8716-01

Electrical

- Medium based porcelain sockets with nickel plated brass screw shell
- Socket mounted in fixed position
- Unwired

Labeling

- Non-IC rated
- UL listed for damp locations

Trim

- Open trim in white finish which is permanently attached to the housing