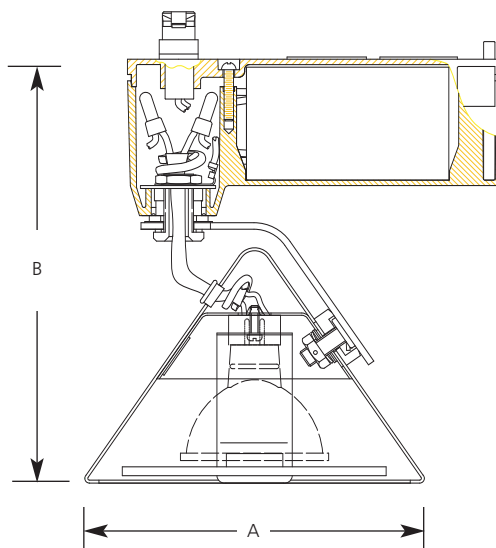


Type _____
 -09 -28 -31
 P6340

Catalog No.	Finish			Lamping	Dimensions (Inches)	
	Brushed Nickel	White	Black		A	B
P6340	-09	-28	-31	12v-50wMR16	4-1/2	6-1/4



Specifications:

Track Lock Up & Transformer Housing

- For use with Alpha (P9100 Series) track
- Cast aluminum housing
- Polarity oriented
- Quarter turn fastening to track
- Locks to track to prevent accidental removal

Transformer

- 120v to 12v electronic transformer
- Transformer is potted for minimum noise, low heat and protection of components

Labeling

- UL-CUL dry location listing

Track Head

- Half yoke attaches to cone
- Permanently wired and affixed to the transformer housing
- 358 degree rotation
- 0 to 90 degree vertical swing
- Steel construction
- Lens has clear center and frosted perimeter for shielding and also protects lamp
- GU5.3 bi pin lamp base

Photometrics

- Refer to MR16 lamp application data