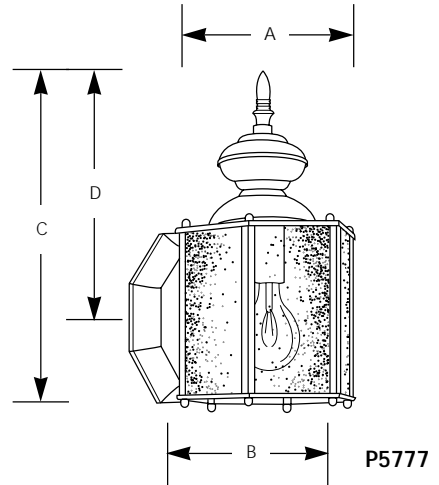
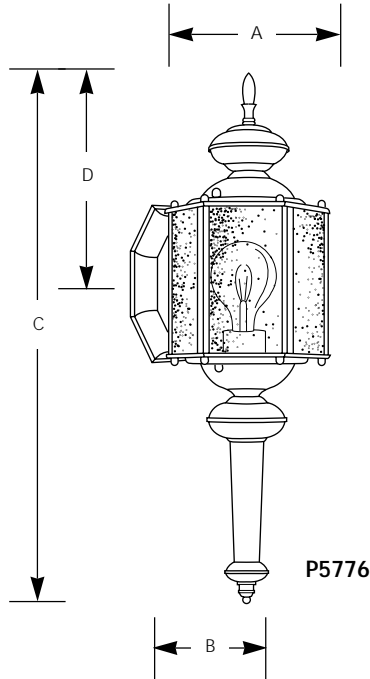


Type _____
 -19
 P5776
 P5777

Catalog No.	Finish Roman Bronze	Lamping	Dimensions (Inches)			
			A	B	C	D
P5776	-19	1-100w A19	7	7-1/4	25	14-3/4
P5777	-19	1-100w A19	7	7-1/4	12-1/2	4



Specifications:

General

- Wall lantern - Traditional hexagonal style
- Roman Bronze finish
- Solid brass construction
- Clear seeded glass
- Lamp replacement
 - P5776 - Remove top of unit
 - P5777 - Through bottom opening
- Matching post top and chain hung units available

Mounting

- Wall mounted
- Covers standard junction box
- Mounting strap for outlet box and cap nuts provided
- Back plate - 4-3/4" W., 5-1/2" ht.

Electrical

- Medium based sockets are porcelain with nickel plated brass screw shell

Labeling

- UL-CUL wet location listed