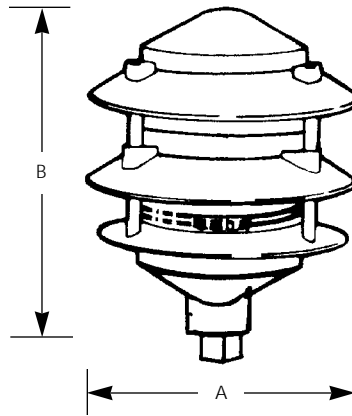


Type _____
 -31 -38
 P5209

Catalog No.	Finish		Lamping	Dimensions (Inches)	
	Black	Green		A	B
P5209	-31	-38	1-7w CF	6-1/4	8-3/4



Specifications:

General

- Polypropylene pagoda style path light
- Clear ribbed acrylic diffuser
- Screw removal of top for lamp replacement
- Minimum start temperature - 0 degrees F

Electrical

- G23 base sockets
- 120V NPF ballasts

Labeling

- UL-CUL wet location listed

Mounting

- 1/2" NPS threaded fitting for permanent or P5233 portable spike mounting