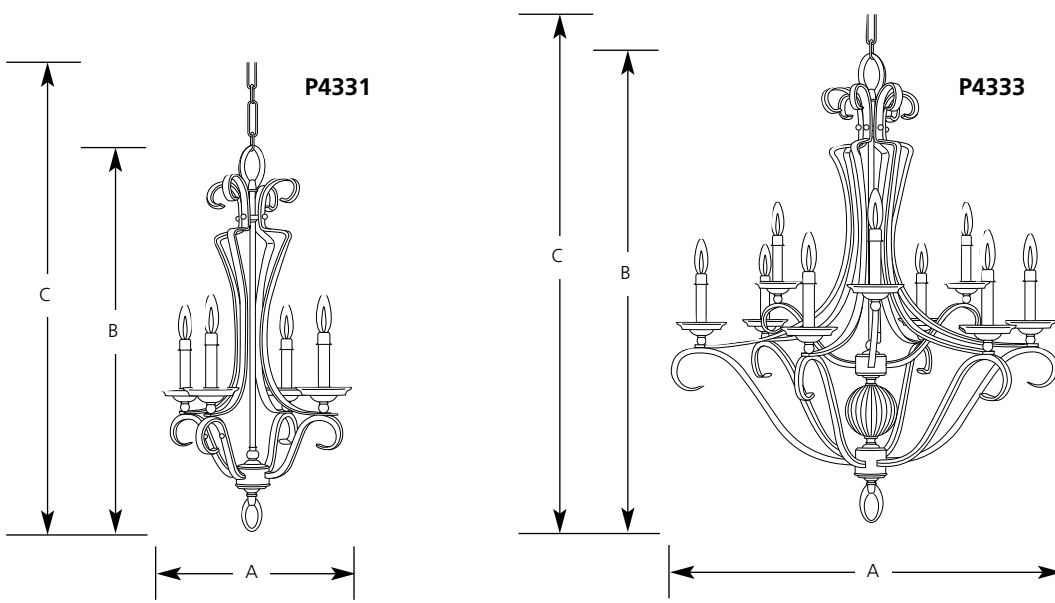


Type	-33	-44	-71
P4331	<input type="checkbox"/>	<input type="checkbox"/>	<input type="checkbox"/>
P4332	<input type="checkbox"/>	<input type="checkbox"/>	<input type="checkbox"/>
P4333	<input type="checkbox"/>	<input type="checkbox"/>	<input type="checkbox"/>

Catalog No.	Finish			Lamping	Dimensions (Inches)		
	Cobble-stone	Oxford Silver	Gilded Iron		A	B	C
P4331	-33	-44	-71	4 (c) 60w	15-1/2	29-3/4	102
P4332	-33	-44	-71	6 (c) 60w	24	32-1/4	106
P4333	-33	-44	-71	9 (c) 60w	32-1/4	39	112



Specifications:

General

- Hand-painted finishes
- Rectangular flat arms with scroll square tubing
- Steel construction
- Ivory candle covers
- Candle caps match base fixture finish
- Six feet of 9 gauge chain
- Companion fixtures: Hall and foyer and wall bracket

Mounting

- Chain-hung ceiling
- Covers outlet box
- Canopy is 5-1/2" dia.
- Mounting hardware included

Electrical

- 15 feet of wire
- Candelabra based lamps
- Pre-wired

Labeling

- UL-CUL listed