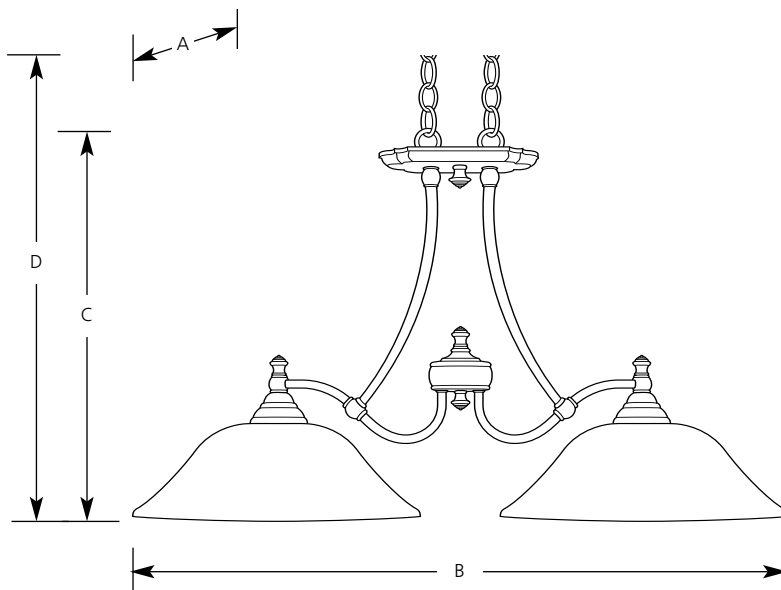


Type _____
 -77 -81
 P4113

Catalog No.	Finish		Lamping	Dimensions (Inches)			
	Forged Bronze	Antique Nickel		A	B	C	D
P4113	-77	-81	2 (m) 100w	15-5/8	36	36-1/4	96-1/2



Specifications:

General

- Large etched glass shades
- Linear chandelier style
- 6 feet of 9 gauge matching twin chain supplied
- Steel construction
- Hand painted forged bronze, or plated antique nickel finish
- Companion wall bracket, chandeliers, sconce, hall & foyer, and close to ceiling units

Electrical

- 15 feet of wire
- Ceramic medium based sockets
- Threaded socket ring secures glass
- Pre-wired

Labeling

- UL-CUL listed

Mounting

- Chain hung ceiling
- Canopy covers a standard recessed 4" octagonal outlet box
- Mounting strap for outlet box included

Progress Lighting
 Post Office Box 5704
 Spartanburg, South Carolina
 29304-5704