

Type \_\_\_\_\_

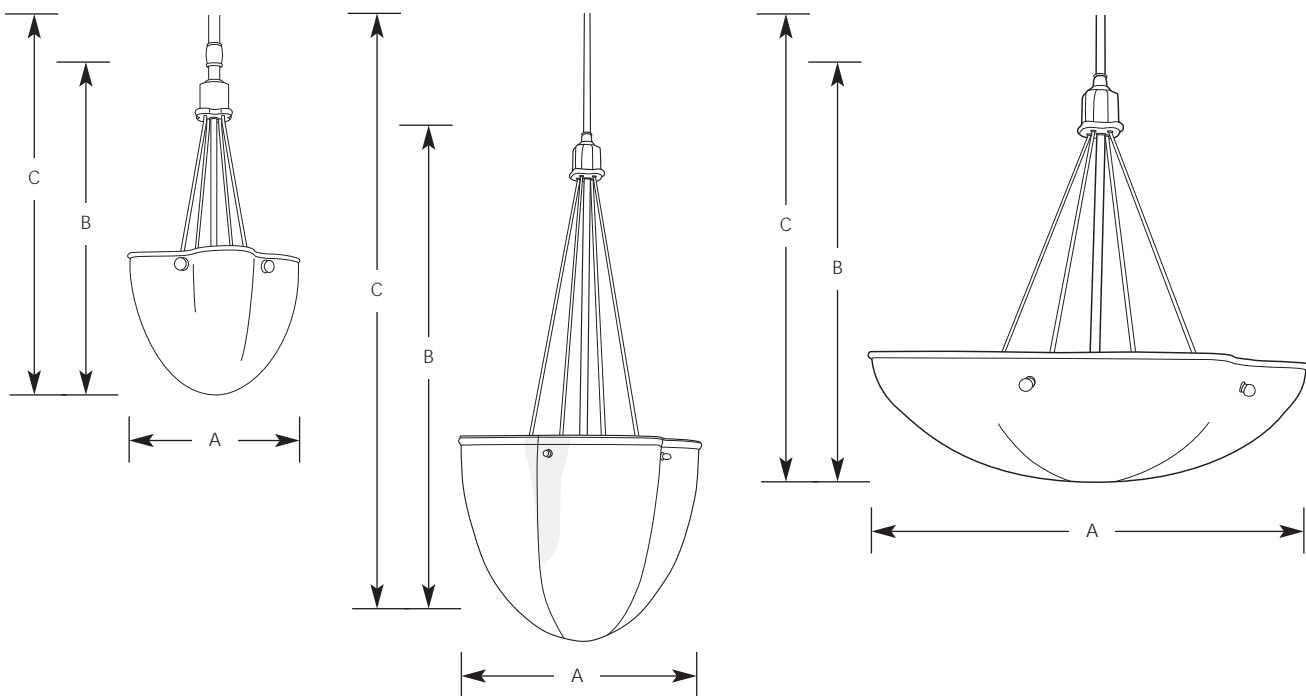
-09

P3601

P3602

P3603

Catalog No.	Finish	Lamping	Dimensions (Inches)		
	Brushed Nickel		A	B	C
P3601	-09	1 (m) 100w	7-1/2	17-1/2	76
P3602	-09	3 (m) 100w	14	34-1/2	93
P3603	-09	4 (m) 100w	19	21-1/4	80



**Specifications:**

General

- Etched opal glass bowl style shade
- Uniquely inflected curved shade with four sides
- Shade rod supported
- Two 12" and two 15" sections of matching stem supplied. Stems have internal thread couplers to attain various desired lengths
- Steel construction
- Plated brushed nickel finish
- Companion chandelier, sconce, mini-pendant, close to ceiling and recessed trim units

Mounting

- Stem hung ceiling
- Canopy covers a standard recessed 4" octagonal outlet box
- Mounting strap for outlet box included

Electrical

- 15 feet of wire
- Ceramic medium based sockets
- Pre-wired

Labeling

- UL-CUL listed

Progress Lighting  
Post Office Box 5704  
Spartanburg, South Carolina  
29304-5704