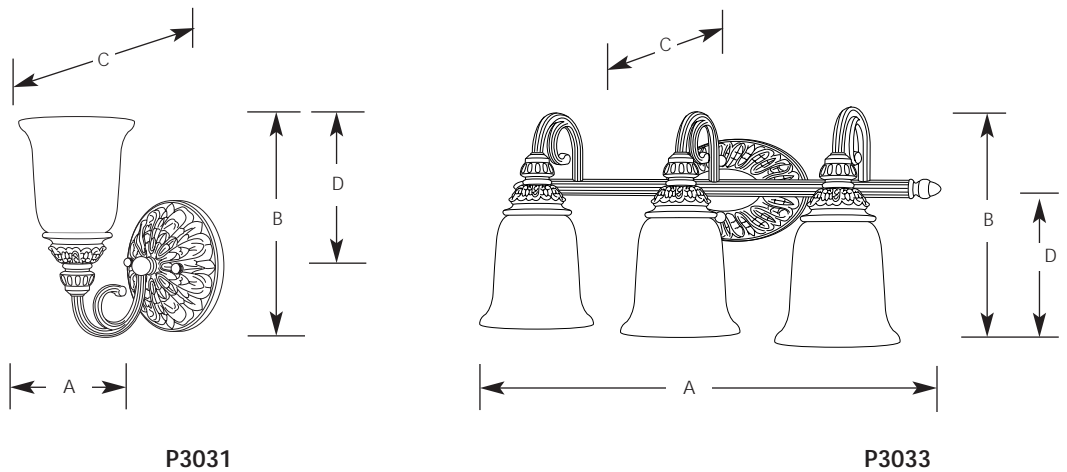


Type	-62	-92C
P3031	<input type="checkbox"/>	<input type="checkbox"/>
P3032	<input type="checkbox"/>	<input type="checkbox"/>
P3033	<input type="checkbox"/>	<input type="checkbox"/>
P3037	<input type="checkbox"/>	<input type="checkbox"/>

Catalog No.	Finish		Lamping	Dimensions (Inches)			
	Crème Brulee	Old Iron Crackle		A	B	C	D
P3031	-62	-92C	1 (m) 100w	6	10	8-1/8	6-3/4
P3032	-62	-92C	2 (m) 100w	12-3/8	9-3/4	7-1/4	6-3/4
P3033	-62	-92C	3 (m) 100w	21	9-1/2	8	6-1/2
P3037	-62	-92C	4 (m) 100w	30	9-1/2	8	6-1/2



Specifications:

General

- Scrolls and carved acanthus leaf details
- Antique stone etched glass shades
- Hand painted finish
- Steel construction with poly-resin accents
- Companion fixtures: Hall and foyer, wall bracket, chandeliers, table lamps, and close to ceiling.

Electrical

- Pre-wired
- Medium based ceramic sockets
- Threaded socket ring secures glass

Labeling

- UL-CUL listed

Mounting

- Wall mount
- Can be mounted in up or down position
- Covers standard 4" octagonal recessed outlet box
- Mounting hardware is included