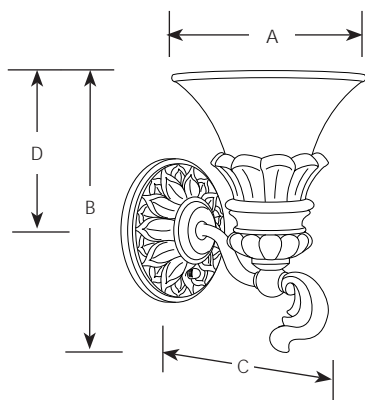


Type _____

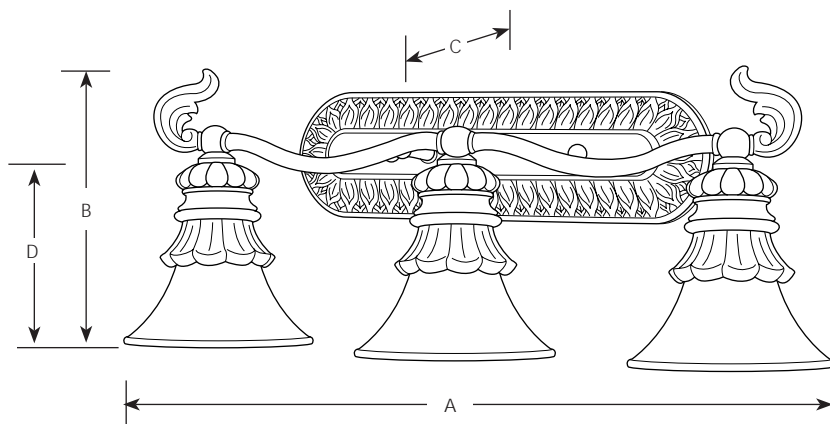
-26C

- P2972
- P2973
- P2974
- P2975

Catalog No.	Finish Riviera Crackle	Lamping	Dimensions (Inches)			
			A	B	C	D
P2972	-26C	1 (m) 75w	7	10-3/4	8-1/4	6
P2973	-26C	2 (m) 75w	14-1/2	10-1/2	7-3/4	7-3/4
P2974	-26C	3 (m) 75w	23-1/4	10-3/4	7-3/4	7-3/4
P2975	-26C	4 (m) 75w	33-3/4	10-3/4	7-3/4	7-3/4



P2972



P2974

Specifications:

General

- Fluted Glass holders with leaf details
- Antique water glass shades
- Hand painted Riviera Crackle finish
- Steel and cast aluminum construction
- Companion fixtures: Hall and foyer, chandeliers, table lamp, and close to ceiling

Mounting

- Wall mount
- Can be mounted in up or down position
- Covers standard 4" octagonal recessed outlet box
- Mounting hardware is included

Electrical

- Pre-wired
- Medium based ceramic sockets
- Threaded socket ring secures glass

Labeling

- UL-CUL "Damp Location" listed