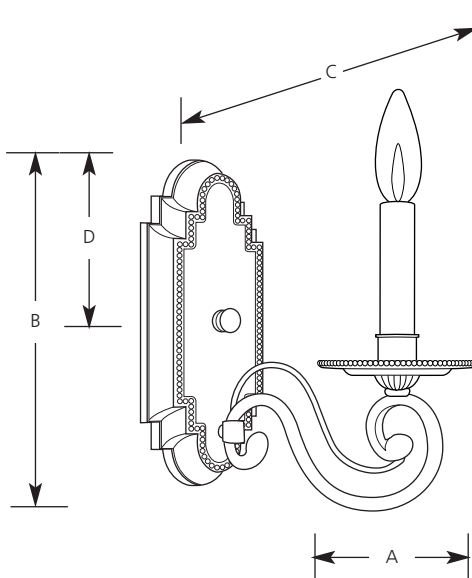


Type \_\_\_\_\_  
 -77 -81  
 P2924

Catalog No.	Finish		Lamping	Dimensions (Inches)			
	Antique Nickel	Forged Bronze		A	B	C	D
P2924	-77	-81	1 (c) 60w	4-1/2	9-3/8	9	4-5/8



**Specifications:**

General

- Antique nickel plated finish fixture has white candle covers
- Painted forged bronze finish fixture has ivory candle covers
- Optional cream brussels linen fabric shade (P8632-01) with uno-fitter available
- Wire accent
- Steel construction
- Companion fixtures: Chandeliers and Hall and Foyer

Mounting

- Wall mount
- Covers outlet box
- Canopy is 4-1/2" wide by 9-3/8" high
- Mounting strap for outlet box included

Electrical

- Pre-wired
- Candelabra based socket

Labeling

- UL-CUL listed