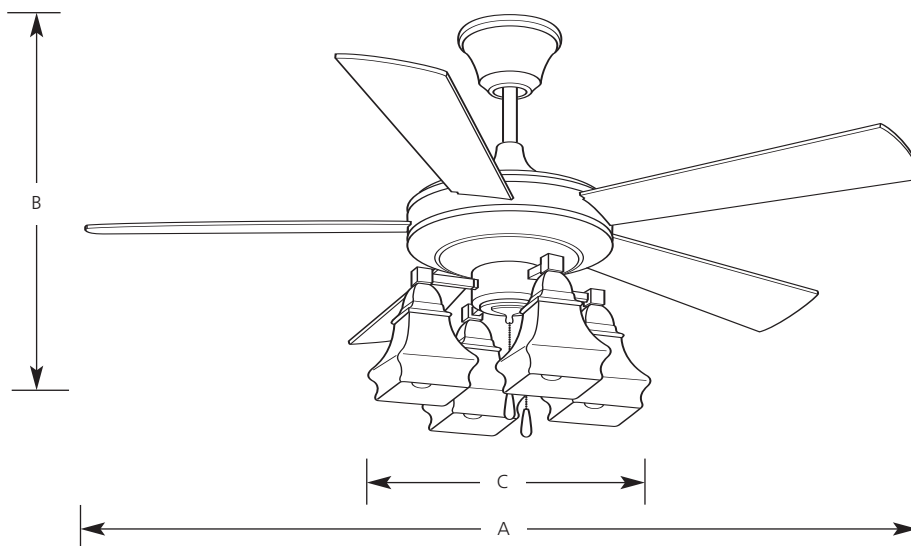


Type _____
 -09 -77
 P2510

| Catalog No. | Finish | | Dimensions (Inches) | | |
|---------------|----------------|---------------|----------------------------|---------|--------|
| | Brushed Nickel | Forged Bronze | A | B | C |
| P2510 | -09 | -77 | 52 | 24-3/8* | 16-1/2 |
| Blades | | | *with 4" downrod = 20-3/8" | | |
| Side 1 | Cherry | Dark Cherry | | | |
| Side 2 | Natural Cherry | Honey Oak | | | |



Specifications:

General

- 30 year limited warranty

Blades

- Five blades
- 12 degree pitch
- Reversible
- Plywood construction

Motor

- Triple capacitor speed control; manual reverse control
- 153mm dia x 18mm high

Light Kit

- Four white opal sculptured square glass shades
- Brushed nickel (-09) has a polished chrome chain with a maple fob, and Forged Bronze (-77) has an antique brass chain with an oak fob
- Utilizes (4) 60-watt medium base lamps, or (4) 13-watt medium base spiral CFL (included)

Mounting

- Ceiling mounting on downrod.
- 3/4" 4" & 8" downrods are included. Longer accessory downrods can be ordered separately
- Standard canopy designed for sloped ceilings up to 45 degrees (12:12 ceiling pitch)
- Canopy covers standard recessed 4" octagonal outlet box. Note: An outlet box assembly designed for fan installation is required (not included)
- Mounting hardware is included

Electrical

- 80" lead wires included
- Ceramic medium based sockets
- Prewired

Labeling

- CUL listed