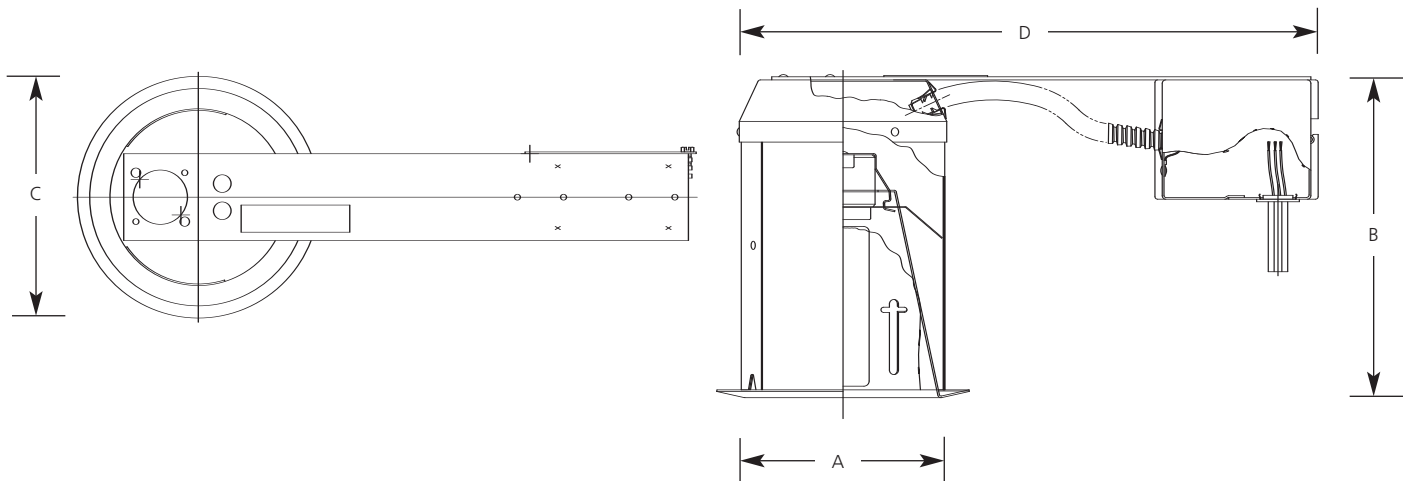


Type _____

P185-TG

Catalog No.	Lamping	Dimensions (Inches)			
		A	B	C	D
P185-TG	See Trim Specifications	5	7-1/2	5-5/8	14-1/8
			Ceiling Opening 5-1/8		



Specifications:

Wiring

- Grounding pigtail
- 1/2" Knock outs

Construction

- Housing adjusts from 1/2" to 1" thick ceilings
- Galvanized steel construction
- Porcelain socket with nickel-plated brass screw shell
- Notched housing for chalkline alignment
- Overspray protection
- Shipped with mounting hardware to secure fixture to ceiling material
- Thermal protector prevents fixture from overheating when improperly installed or overlapping

Labeling

- UL-CUL listed for damp locations and through wiring (2in, 2out, 12ga.)
- Non-IC rated
- Approved for use in New York City per calendar #40330

Lamp/Trim

- Socket mounts to trim for optimum performance and consistent lamp position
- Trims are easy in and push into place