



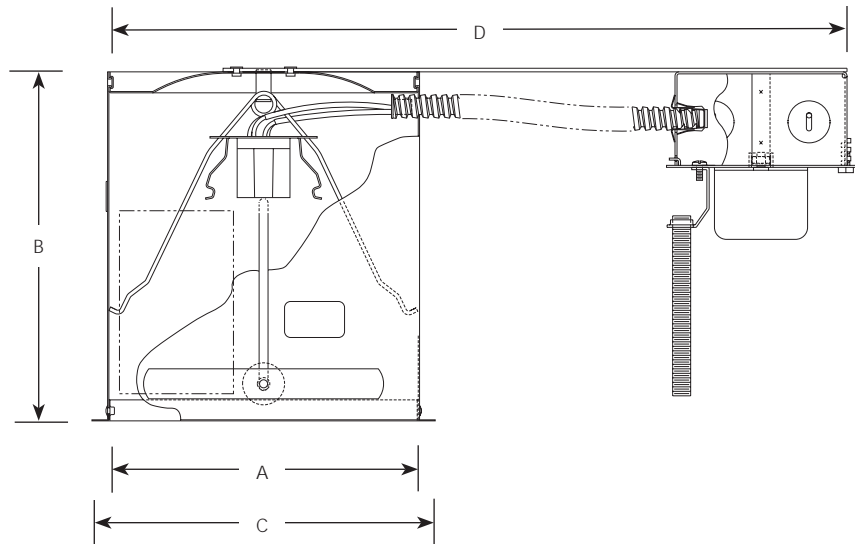
Compact Fluorescent

**6" Single Vertical Lamp  
Remodel Housing  
IC/Non-IC**

**Recessed**

Type \_\_\_\_\_  
P183-EB

Catalog No.	Lamping	Dimensions (Inches)			
		A	B	C	D
P183-EB	(1) 13w Quad tube, Triple (GE)	6-1/2	7-1/2	7-1/8	15-1/2
					Ceiling Opening 6-5/8



**Specifications:**

Wiring

- Grounding pigtail
- 1/2" Knock outs
- Electronic HPF 120-volt ballast

Construction

- Galvanized steel construction
- Housing adjusts from 1/2" to 1-1/2" thick ceilings
- Adjustable bars lock unit in place
- Slide bars secure to ceiling
- Threaded nipple stabilizes ballast weight on top side of ceiling material

Labeling

- UL-CUL listed for damp location and feed-through wiring (2in, 2out, 12 ga.)
- IC/Non-IC rated

Lamp/Trim

- Trim-Lok<sup>®</sup> action forces trim to fit snugly against the ceiling
- Single-lamp vertical 13w (4-pin) G24q-1 compact fluorescent
- Trim mounted socket for optimum performance

Progress Lighting  
Post Office Box 5704  
Spartanburg, South Carolina  
29304-5704

www.progresslighting.com  
Patent# 5,758,959

Rev. 3/06



Compact Fluorescent

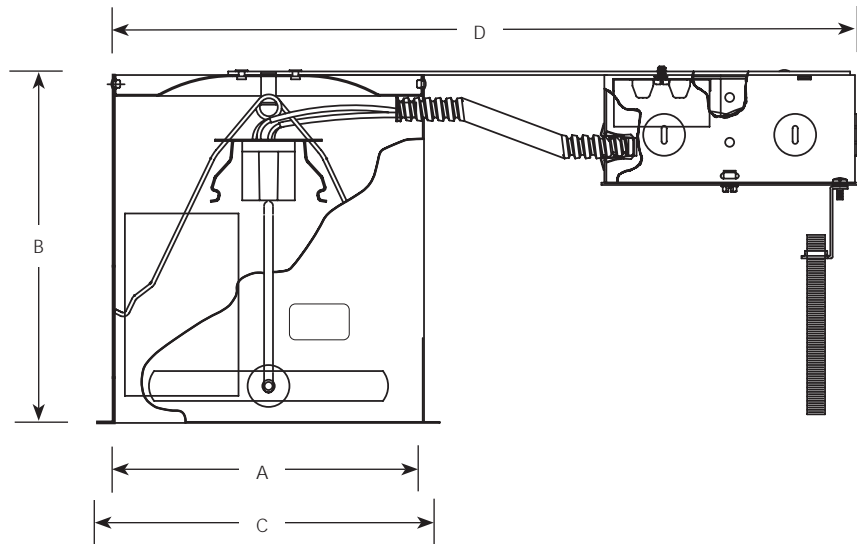
**6" Single Vertical Lamp  
Remodel Housing  
IC/Non-IC  
Energy Star**

**Recessed**

Type \_\_\_\_\_

P183-26EB

Catalog No.	Lamping	Dimensions (Inches)			
		A	B	C	D
P183-26EB	(1) 26w Triple tube	6-1/2	7-1/2	7-1/8	15-7/8
		Ceiling Opening 6-5/8			



**Specifications:**

Wiring

- Grounding pigtail
- 1/2" Knockouts
- Electronic NPF 120-volt ballast

Construction

- Galvanized steel construction
- Ceramic socket
- Housing adjusts from 1/2" to 1-1/2" thick ceilings
- Adjustable bars lock unit in place
- Slide bars secure to ceiling
- Threaded nipple stabilizes ballast weight on top side of ceiling material

Labeling

- UL-CUL listed for damp location and feed-through branch wiring (2in, 2out, 4-#12, 90 degree conductors)
- Rated for 60 degree supply wires in end of run applications
- IC/Non-IC rated
- Energy Star certified
- Meets California T-24 requirements (requires P8593-01 kit for Air-tight)

Lamp/Trim

- Trim-Lok<sup>®</sup> action forces trim to fit snugly against the ceiling
- Single-lamp vertical 26w (4-pin) G24q-3 compact fluorescent, triple tube or spiral
- Trim mounted socket for optimum performance



Progress Lighting  
Post Office Box 5704  
Spartanburg, South Carolina  
29304-5704

www.progresslighting.com  
Patent# 5,758,959