



Compact Fluorescent

6" Horizontal Lamp Firebox®

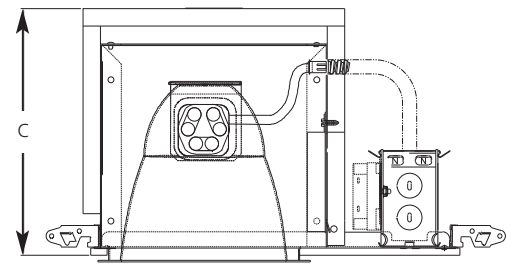
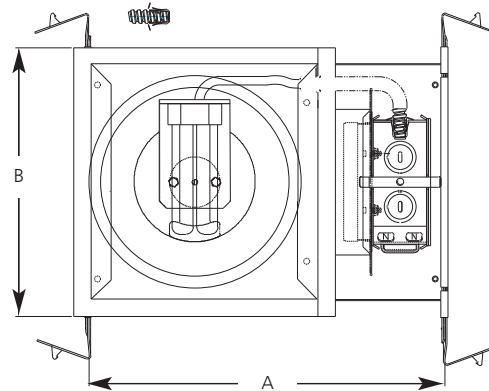
Recessed

1-Hour Fire Resistant,
Air-Tight Non-IC

Type _____

P60-FB

Catalog No.	Lamping	Dimensions (Inches)		
		A	B	C
P60-FB	(1) 26w or 32w Triple Tube/Spiral (max depending on trim type)	13-1/4	9-9/16	9-1/16
		Ceiling opening 6-7/8		
		Maximum ceiling thickness = 1-1/4"		
		Weight = 12.5 lbs.		



Specifications:

Electrical

- Universal 18 gauge junction box
- Integral Romex connector
- Access door in housing for field inspection of wiring
- Grounding pigtail
- 1/2" & 3/4" pryouts for grid conduit or BX fittings
- 120-277v HPF electronic ballast, thermally protected

Construction

- Galvanized 22 gauge housing
- One injection molded socket for 26w or 32w (GX24Q3) 4-pin triple tube/spiral compact fluorescent lamp
- 6 pieces of UL classified fire resistant gypsum board attached to recessed housing
- Fiberglass gasket on bottom of frame to minimize heat transfer into ceiling cavity

Bar Hangers

- Forked nailing prong hanger bars
- Locking T-bar notch accommodates T-Bar ceiling
- Hanger bars will span 24" t-bar or joist spacing
- Four clips included for installation to furring channels

Labeling

- UL-CUL listed for damp location and feed through branch wiring
- Non-IC rated
- Complies with Washington State Energy Code ((WSEC) requirement for air tight
- UL classified to maintain fire ratings of 1 hour or less for all L500 and G531 fire rated ceiling assemblies

Lamp/Trim

- Single trim retention allows trim to fit snugly against the ceiling
- Trim mounted socket for optimum performance
- Die cast aluminum trims with anodized aluminum reflectors



Progress Lighting
Post Office Box 6701
Greenville, South Carolina 29606

www.progresslighting.com

Patent Nos. 6357891, 6254527