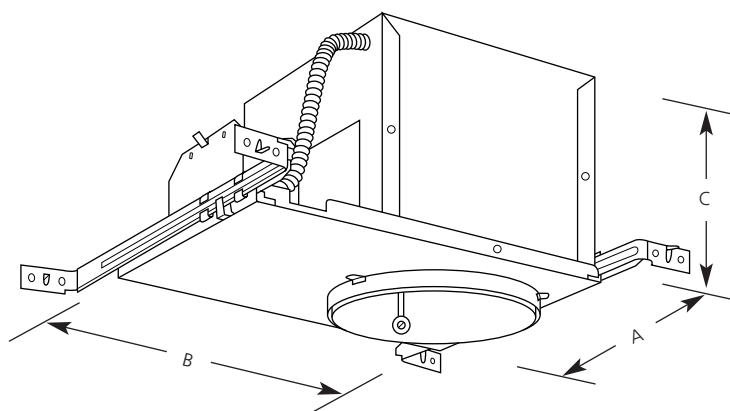


Type \_\_\_\_\_  
P821-AT

Catalog No.	Lamping	Dimensions (Inches)		
		A	B	C
P821-AT	See Trim Specifications	8-3/8	13	7-1/2 Ceiling Opening 6-7/8



**Specifications:**

Wiring

- Universal J-box with snap-out sides
- 1/2" & 3/4" Knock outs for rigid conduit or BX fittings
- Grounding pigtail
- Knock out free integral Romex clamps
- Access door in housing for field inspection of wiring

Construction

- Adjustment for ceiling thickness from 1/2" to 2"
- Steel outer housing
- For new construction applications
- Notched housing for chalkline alignment
- Overspray protection
- Socket can be used as a work light
- Porcelain socket with nickel-plated brass screw shell
- Fits into 2X8 construction

Bar Hangers

- Integral nailers for wood joist construction
- Integral T-Bar mounting clamps
- Span 24" for T-Bar spacing
- Lock in position to secure housing

Labeling

- IC rated
- Complies with Washing State Energy Code (WSEC) requirement for air tight
- UL-CUL listed for damp location and through branch wiring

Lamp/Trim

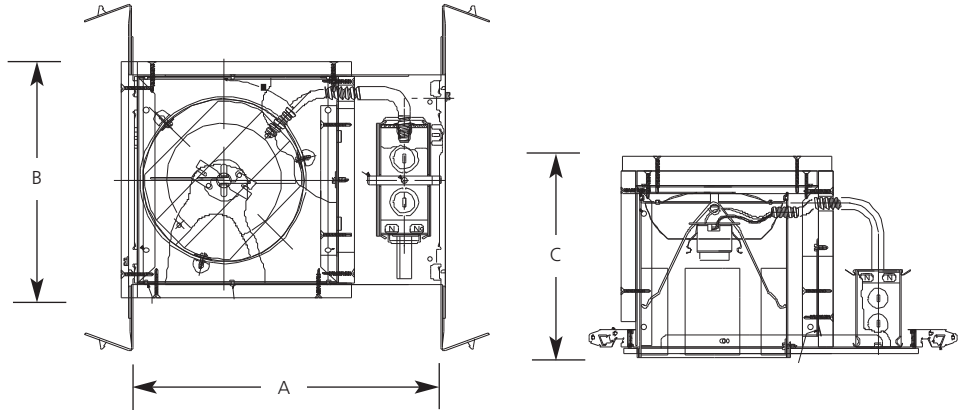
- Socket mounts to trim for optimum performance and consistent lamp position
- Trim-Lok® action forces trim to fit snugly against the ceiling

Progress Lighting  
Post Office Box 5704  
Spartanburg, South Carolina  
29304-5704

www.progresslighting.com  
Patent# 5,857,766

Type \_\_\_\_\_  
P821-FB

Catalog No.	Lamping	Dimensions (Inches)		
		A	B	C
P821-FB	See Trim Specifications	12-3/8	9-9/16	8-13/16 Ceiling Opening 6-7/8



• Trim must be ordered separately.

**Specifications:**

Wiring

- Universal J-box with snap-out sides
- 1/2" & 3/4" Knock outs for rigid conduit or BX fittings
- Grounding pigtail
- Knock out free integral Romex clamps
- Access door in housing for field inspection of wiring

Construction

- Adjustment for ceiling thickness from 1/2" to 2"
- Steel outer housing
- For new construction applications
- Notched housing for chalkline alignment
- Overspray protection
- Socket can be used as a work light
- Porcelain socket with nickel-plated brass screw shell
- Fits into 2X10 construction
- 6 pieces of UL classified fire resistant gypsum board attached to recessed housing
- Fiberglass gasket on bottom of frame to minimize heat transfer into ceiling cavity

Bar Hangers

- Integral nailers for wood joist construction. Must be reinforced with screws/nails per instruction sheet.
- Integral T-Bar mounting clamps
- Span 24" for T-Bar spacing
- Lock in position to secure housing

Labeling

- Non-IC rated; insulation must be kept at least 3" away from housing
- UL-CUL listed for damp location and feed through wiring
- UL Classified to maintain fire ratings of 1 hour or less for all UL P500 series fire rated ceiling/floor assemblies
- UL Classified to maintain fire ratings of 2 hours or less in all UL D200, G200, L200, D500, G500 and L500 series fire rated ceiling assemblies.

Lamp/Trim

- Socket mounts to trim for optimum performance and consistent lamp position
- Trim-Lok® action for trim retention forces trim to fit snugly against the ceiling



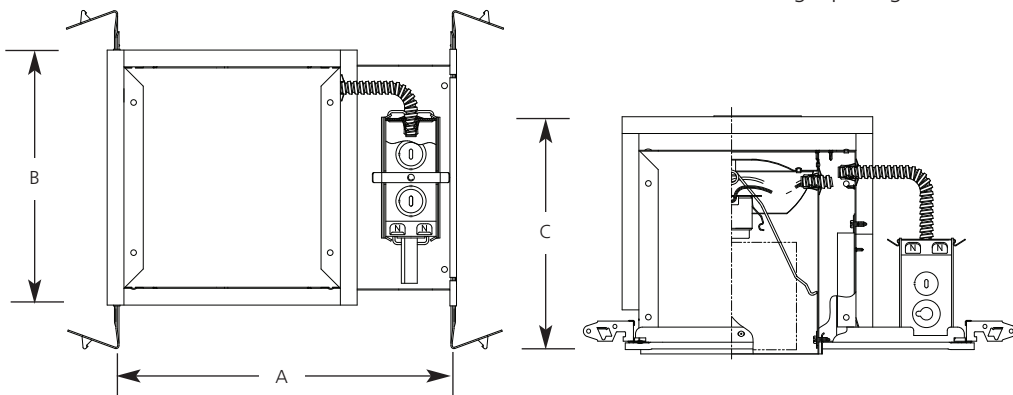
Progress Lighting  
Post Office Box 5704  
Spartanburg, South Carolina  
29304-5704

Type \_\_\_\_\_

P821-FBFC

**Dimensions (Inches)**

Catalog No.	Lamping	Dimensions (Inches)		
		A	B	C
P821-FBFC	See Trim Specifications	12-3/8	9-9/16	8-13/16
		Ceiling Opening 6-7/8		



• Trim must be ordered separately.

**Specifications:**

Wiring

- Universal J-box with snap-out sides
- 1/2" & 3/4" Knock outs for rigid conduit or BX fittings
- Grounding pigtail
- Knock out free integral Romex clamps
- Access door in housing for field inspection of wiring

Construction

- Adjustment for ceiling thickness from 1/2" to 2"
- Steel outer housing
- For new construction applications
- Notched housing for chalkline alignment
- Overspray protection
- Socket can be used as a work light
- Porcelain socket with nickel-plated brass screw shell
- Fits into 2X10 construction
- 6 pieces of UL classified fire resistant gypsum board attached to recessed housing
- Fiberglass gasket on bottom of frame to minimize heat transfer into ceiling cavity

Bar Hangers

- Integral nailers for wood joist construction. Must be reinforced with screws/nails per instruction sheet.
- Integral T-Bar mounting clamps

- Spans 24" spacing; ceiling wires are required to support housing in all 24" on center spacing. 4 lances in bar hanger channels provide means for attachment.
- Lock in position to secure housing
- Comes with 4 clips for mounting bar hangers to furring channels when present in a fire rated assembly. (Required for most P500 series applications).

Labeling

- Non-IC rated; insulation must be kept at least 3" away from housing
- UL-CUL listed for damp location and feed through wiring
- UL Classified to maintain fire ratings of 1 hour or less for all UL P500 series fire-rated ceiling/floor assemblies
- UL Classified to maintain fire ratings of 2 hours or less in all UL D200, G200, L200, D500, G500 and L500 series fire rated ceiling assemblies.

Lamp/Trim

- Socket mounts to trim for optimum performance and consistent lamp position
- Trim-Lok® action for trim retention forces trim to fit snugly against the ceiling
- Gasketed for Air-Tight - Allows less than 2 CFM of air loss through fixture into ceiling cavity



Progress Lighting  
Post Office Box 5704  
Spartanburg, South Carolina  
29304-5704

www.progresslighting.com  
Patent# 6,357,891