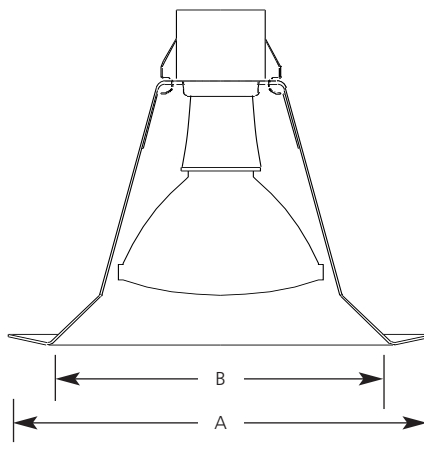


Type _____
 -10 -28
 P8072

Catalog No.	Finish		Dimensions (Inches)	
	Brass	White	A	B
P8072WL	-10	-28	7-3/4	4-3/8



Lamp Wattage

Housing	IC	Non-IC
P87-AT	75PAR30/65BR30	75PAR30/100A19/85BR30
P87-ATQC	75PAR30/65BR30	75PAR30/100A19/85BR30
P187-TG	85BR30/75PAR30/75A19	85R30/75PAR30/75A19
P821-AT	N/A	85BR30/75PAR30/40A19
P821-FB,FBFC	75PAR30/65BR30	75PAR30/100A19/85BR30
P87-ATQC	75PAR30/65BR30	75PAR30/100A19/85BR30

Specifications:

Flange

- Bright white powder painted metal flange
- No light leaks around trim flange
- Covers irregular ceiling openings

Trim

- Trim-Lok action forces trim to fit snugly against the ceiling
- Socket mounts to trim for optimum performance and consistent lamp position
- One-piece aluminum construction
- Splay design for BR and PAR 30 lamps

Options

- Anodized brass finish - specify "10" after catalog number
- White reflector - specify "28" after catalog number

Labels

- UL-CUL damp location listed

P87-AT

P87-AT WITH P8072-10

Report No. 98095

No. Lamps: 1 Type Lamp: 75PAR30 LN/FL Total Lumens: 985

Fixture Efficiency: 97.9%

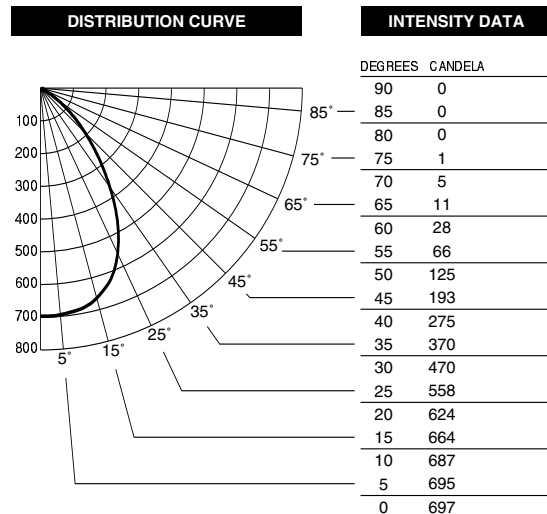
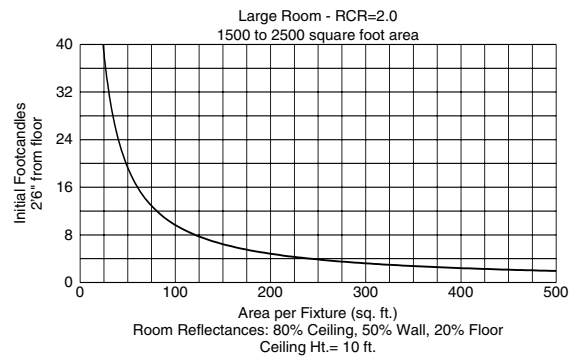
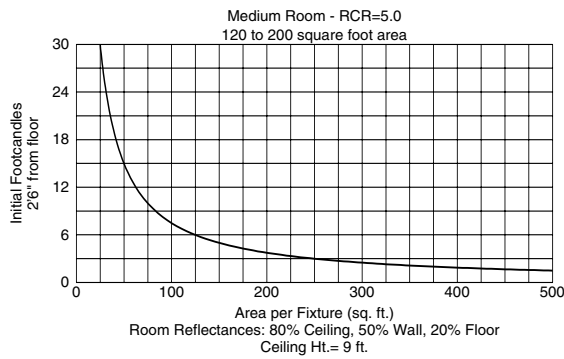
S/MH Ratio: 1.1

Single Fixture Data

Ceiling Ht.(Ft.)	10% Values		Zero Degrees	50% Values	
	Beam Angle - 90°			Beam Angle - 56°	
	Ft.-C	Beam Dia.		Ft.-C	Beam Dia.
8	2.3	11	23.0	11.5	6
10	1.2	15	12.4	6.2	8
12	0.8	19	7.7	3.9	10
14	0.5	23	5.3	2.6	12
16	0.4	27	3.8	1.9	14

Ft.-C (Footcandles) are initial and measured 2'-6" from floor

Quick Calculator Charts



ZONAL CAVITY COEFFICIENTS OF UTILIZATION

Effective Floor Cavity Reflectance 0.20

RC	80												70												50												30												10												0											
	RW	70	50	30	10	70	50	30	10	50	30	10	50	30	10	50	30	10	50	30	10	50	30	10	50	30	10	50	30	10	50	30	10	50	30	10	50	30	10																																	
0	116	116	116	116	114	114	114	114	109	109	109	109	104	104	104	104	100	100	100	100	98	98	98	98	94	94	94	94	90	90	90	90	87	87	87	87	83	83	83	83	81	81	81	81																												
1	110	107	104	102	108	105	102	100	101	99	97	97	97	96	94	94	94	93	91	91	90	90	90	90	87	85	85	85	83	83	83	83	81	81	81	81	78	78	78	78																																
2	104	98	93	90	101	96	92	89	93	90	87	87	90	87	85	85	87	85	83	83	81	81	81	81	78	78	78	78	75	75	75	75	74	74	74	74	74	74	74	74																																
3	97	90	84	80	95	88	83	79	86	81	78	78	83	80	76	76	81	78	75	75	74	74	74	74	74	74	74	74	74	74	74	74	74	74	74	74	74	74	74	74																																
4	91	82	76	71	89	81	75	71	79	74	70	70	77	73	69	69	75	71	68	68	67	67	67	67	67	67	67	67	67	67	67	67	67	67	67	67	67	67	67	67																																
5	85	76	69	64	84	75	69	64	73	68	64	64	71	67	63	63	70	66	62	62	61	61	61	61	61	61	61	61	61	61	61	61	61	61	61	61	61	61	61	61																																
6	80	70	63	59	79	69	63	58	68	62	58	58	66	61	57	57	65	60	57	57	55	55	55	55	55	55	55	55	55	55	55	55	55	55	55	55	55	55	55	55																																
7	75	65	58	53	74	64	58	53	63	57	53	53	62	57	53	53	61	56	52	52	51	51	51	51	51	51	51	51	51	51	51	51	51	51	51	51	51	51	51	51																																
8	71	60	54	49	70	60	53	49	59	53	49	49	58	52	48	48	57	52	48	48	47	47	47	47	47	47	47	47	47	47	47	47	47	47	47	47	47	47	47	47																																
9	67	56	50	45	66	56	49	45	55	49	45	45	54	49	45	45	53	48	45	45	43	43	43	43	43	43	43	43	43	43	43	43	43	43	43	43	43	43	43	43																																
10	63	53	46	42	62	52	46	42	51	46	42	42	50	45	42	42	50	45	41	41	40	40	40	40	40	40	40	40	40	40	40	40	40	40	40	40	40	40	40	40																																

P87-AT

P87-AT WITH P8072-28

Report No. 98091

No. Lamps: 1 Type Lamp: 75PAR30 LN/FL Total Lumens: 985

Fixture Efficiency: 98.6%

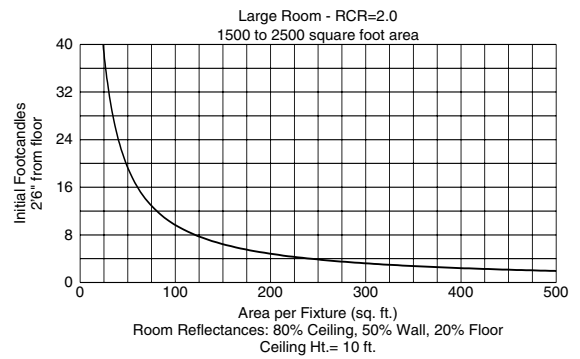
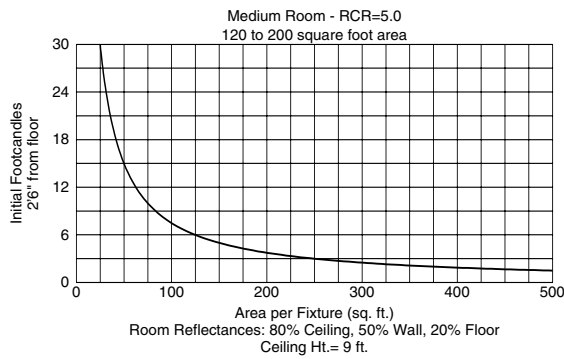
S/MH Ratio: 1.1

Single Fixture Data

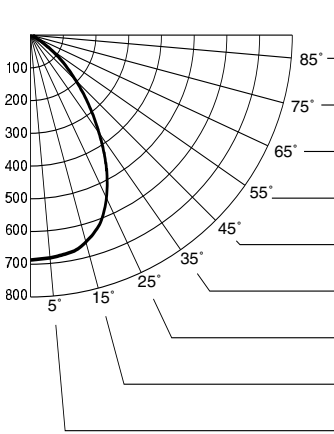
Ceiling Ht.(Ft.)	10% Values		Zero Degrees	50% Values	
	Beam Angle - 90°			Beam Angle - 56°	
	Ft.-C	Beam Dia.		Ft.-C	Beam Dia.
8	2.3	11	22.7	11.4	6
10	1.2	15	12.2	6.1	8
12	0.8	19	7.6	3.8	10
14	0.5	23	5.2	2.6	12
16	0.4	27	3.8	1.9	14

Ft.-C (Footcandles) are initial and measured 2'-6" from floor

Quick Calculator Charts



DISTRIBUTION CURVE



INTENSITY DATA

DEGREES	CANDELA
90	0
85	1
80	2
75	5
70	9
65	16
60	33
55	73
50	131
45	196
40	276
35	366
30	462
25	549
20	616
15	654
10	676
5	683
0	687

ZONAL CAVITY COEFFICIENTS OF UTILIZATION

Effective Floor Cavity Reflectance 0.20

RC	80												70												50												30												10												0											
	RW	70	50	30	10	70	50	30	10	50	30	10	50	30	10	50	30	10	50	30	10	50	30	10	50	30	10	50	30	10	50	30	10	50	30	10	50	30	10																																	
0	117	117	117	117	115	115	115	115	109	109	109	105	105	105	100	100	100	98	94	93	92	90	88	87	85	83	81	79	77	75	73	71	69	67	65	63	61	59	57	55	53	51	49	47	45	43	41	39	37	35	33	31	29	27	25	23	21	19	17	15	13	11	9	7	5	3	1	0				
1	111	108	105	102	108	105	103	100	101	99	97	98	96	94	94	93	92	90	88	87	85	83	81	79	77	75	73	71	69	67	65	63	61	59	57	55	53	51	49	47	45	43	41	39	37	35	33	31	29	27	25	23	21	19	17	15	13	11	9	7	5	3	1	0								
2	104	98	94	90	102	96	92	89	93	90	87	90	87	85	87	85	83	81	79	76	74	72	70	68	66	64	62	60	58	56	54	52	50	48	46	44	42	40	38	36	34	32	30	28	26	24	22	20	18	16	14	12	10	8	6	4	2	0	0													
3	97	90	84	79	95	88	83	79	86	81	77	83	79	76	81	78	75	73	71	69	67	65	63	61	59	57	55	53	51	49	47	45	43	41	39	37	35	33	31	29	27	25	23	21	19	17	15	13	11	9	7	5	3	1	0	0																
4	91	82	76	71	89	81	75	71	79	74	70	77	72	69	75	71	68	66	64	62	60	58	56	54	52	50	48	46	44	42	40	38	36	34	32	30	28	26	24	22	20	18	16	14	12	10	8	6	4	2	0	0																				
5	85	76	69	64	84	75	68	64	73	67	63	71	66	62	70	65	62	60	58	56	54	52	50	48	46	44	42	40	38	36	34	32	30	28	26	24	22	20	18	16	14	12	10	8	6	4	2	0	0																							
6	80	70	63	58	79	69	63	58	67	62	57	66	61	57	65	60	57	55	53	51	49	47	45	43	41	39	37	35	33	31	29	27	25	23	21	19	17	15	13	11	9	7	5	3	1	0	0																									
7	75	65	58	53	74	64	57	53	63	57	52	61	56	52	60	55	52	50	48	46	44	42	40	38	36	34	32	30	28	26	24	22	20	18	16	14	12	10	8	6	4	2	0	0																												
8	71	60	53	49	70	59	53	48	58	52	48	57	52	48	56	51	48	46	44	42	40	38	36	34	32	30	28	26	24	22	20	18	16	14	12	10	8	6	4	2	0	0																														
9	67	56	49	45	66	55	49	45	54	49	44	53	48	44	52	47	44	42	40	38	36	34	32	30	28	26	24	22	20	18	16	14	12	10	8	6	4	2	0	0																																
10	63	52	46	41	62	52	46	41	51	45	41	50	45	41	49	44	41	39	37	35	33	31	29	27	25	23	21	19	17	15	13	11	9	7	5	3	1	0	0																																	



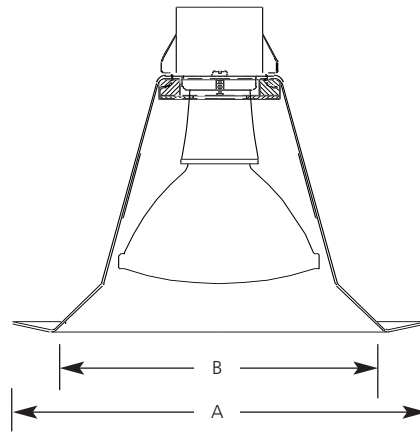
Incandescent

**6" Lensless Shower Light
IC & Non-IC**

Recessed

Type _____
-28
P8072WL

Catalog No.	Finish	Dimensions (Inches)	
	White	A	B
P8072WL	-28	7-3/4	4-3/8



Lamp Wattage

Housing	IC	Non-IC
P87-AT	50w PAR30 LN	50w PAR30 LN
P187-TG	50w PAR30 LN	50w PAR30 LN
P821-AT	50w PAR30 LN	50w PAR30 LN
P821-FB	N/A	50w PAR30

Specifications:

Flange

- Bright white powder painted integral metal flange
- No light leaks around trim flange
- Covers irregular ceiling openings

Trim

- Aluminum construction
- Socket mounts to trim for optimum performance and consistent lamp position
- Trim-Lok action forces trim to fit snugly against the ceiling

- Splay design optimally accommodates long neck Par30 lamps
- Adhesive backed, high-temperature acrylic gasket is placed on interior top portion of reflector to prevent the passage of water into socket

Labels

- UL-CUL wet location listed
- Rated IC and Non-IC

Photometrics

- Refer to PAR30 Lamp Application Data

Progress Lighting
Post Office Box 5704
Spartanburg, South Carolina
29304-5704

www.progresslighting.com
Patent# 5,758,989



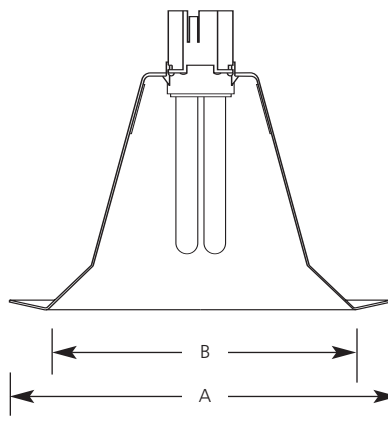
Compact Fluorescent

**6" Open Trim
IC & Non-IC**

Recessed

Type _____
 -10 -28
 P8072

Catalog No.	Finish		Dimensions (Inches)	
	Brass	White	A	B
P8072	-10	-28	7-3/4	4-3/8



Lamp Wattage

Housing	IC	Non-IC
P83-AT	13w 4-pin Quad/Triple-tube CF	13w 4-pin Quad/Triple-tube CF
P83-ICAT	13w 4-pin Quad/Triple-tube CF	13w 4-pin Quad/Triple-tube CF
P88-ICAT	18w 4-pin Quad/Triple-tube CF	18w 4-pin Quad/Triple-tube CF
P183-EB	13w 4-pin Quad/Triple-tube CF	13w 4-pin Quad/Triple-tube CF
P83-26ICAT	26w 4-pin Triple-tube CF	26w 4-pin Triple-tube CF
P62-FB	N/A	26 or 32w 4-pin Triple-tube CF

Specifications:

Flange

- Bright white powder painted metal flange
- No light leaks around trim flange
- Covers irregular ceiling openings

Trim

- Trim-Lok action forces trim to fit snugly against the ceiling
- Socket mounts to trim for optimum performance and consistent lamp position
- One-piece aluminum construction
- Splay design for vertical mount 13w Quad CF

Options

- White reflector - specify "28" after catalog number
- Anodized Brass finish - specify "10" after catalog number

Lamps

- Maximum overall length of lamp cannot exceed 5.5" (5-1/2")
- Available are: GE -F26TBX, Phillips PLT26, Sylvania CF26 or 32DT, or Progress 7808-01 (26w)

Labels

- UL-CUL damp location listed

Progress Lighting
 Post Office Box 5704
 Spartanburg, South Carolina
 29304-5704

www.progresslighting.com
 Patent# 5,758,987, 5,758,988

