



Compact Fluorescent

6" Pro-Optic™ Housing
18w Quad Tube
2 Horizontal Lamps
Non-IC

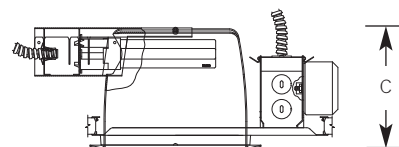
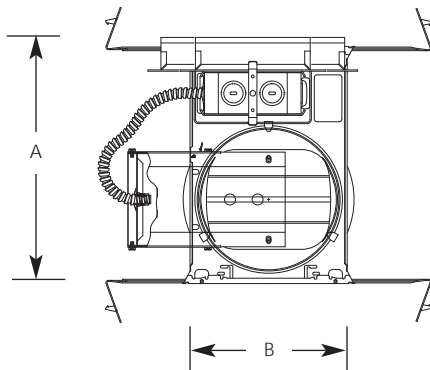
Recessed

Type _____

-EB
 P68

Dimensions (Inches)

Catalog No.	Lamping	Dimensions (Inches)		
		A	B	C
P68	(2) 18w Quad Tube	14	9	5
		Ceiling Opening = 6-1/4		
		Maximum Ceiling Thickness = 1-1/4		



• Trim must be ordered separately; P8030 trim shown above

Specifications:

Electrical

- Universal heavy gauge junction box with snap-out sides
- Grounding pigtail
- 1/2" & 3/4" pryouts for rigid or BX fittings
- 120/277v Electronic HPF Ballast, dedicated wattage for 18w quad tube cfl
- Rated for 8 #12 90 degree conductors (4 in, 4 out)
- Thermal and end of life ballast protection

Construction

- 2 horizontal 18w Quad tube compact fluorescent G24q-2
- Notched housing for chalkline or laser alignment
- Full wrap-around mounting frame
- Galvanized steel construction
- Trims adjust to accommodate 1/2" to 1-1/4" thick ceilings

Bar Hangers

- Integral nailers for wood joist construction
- Integral T-bar mounting clamps
- Securely span 24" T-bar spacing
- Integral set-screw lock to secure housing
- Captive and factory installed
- Galvanized steel

Labeling

- UL and CUL listed for damp location and through branch wiring
- Non-IC rated
- Approved for use in New York City per calendar #42270

Lamp/Trim

- Socket box mounts securely to reflector for consistent lamp positioning
- Lamps positioned in reflector to optimize photometric performance
- Trim retention accomplished by use of 3 spring clips located inside aperture of frame-in
- Trim must be ordered separately

Options

- Factory wired emergency battery with internal test switch and indicator light available by adding 'EM' to end of housing sku number. (MTO only)

Catalog #	Description	Line Base	Current Amps	Input Watts	Min. Start Temp
P68-EB	120V Electronic	G24q-2	.33	39	0

* Technical data is for two lamps.

Open Cone

- P8030-28 Ptd. White
- P8030-21A Clear Alzak
- P8030-22A Gold Alzak
- P8030-17A Pewter Alzak
- P8030-61 Straw Alzak (MTO)
- P8030-64 Wheat Alzak (MTO)
- P8030-67 Haze Alzak (MTO)

Open Baffle

- P8031-28 Ptd. White
- P8031-31 Ptd. Black

Lensed Wet Location

- P8034-83 White Fresnel
- P8035-68 White Prismatic

Wall Wash

- P8032-21 Clear Alzak

Progress Lighting
 701 Millennium Blvd.
 Greenville, South Carolina
 29607

www.progresslighting.com



Compact Fluorescent

6" Pro-Optic™ FireBox®
18w Horizontal Quad CFL
1-Hour Fire Resistant
Non-IC

Recessed

Type _____

-EBFB

P68

Dimensions (Inches)

A B C

Catalog No.

Lamping

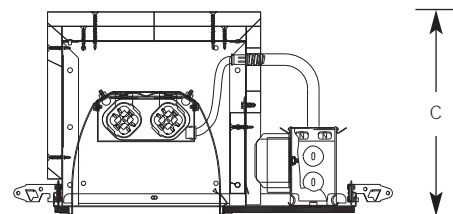
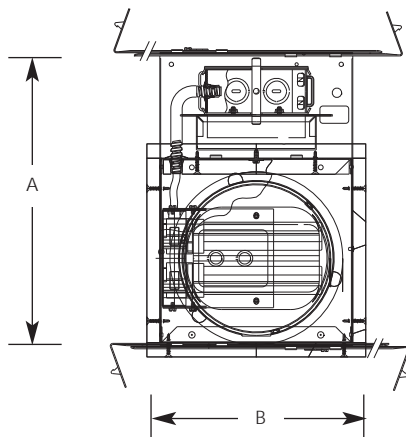
P68-EBFB

(2) 18w Quad Tube

13-1/4 9-9/16 9-1/16

Ceiling Opening = 6-7/8

Maximum Ceiling Thickness = 1-1/4



• Trim must be ordered separately; P8030 trim shown above

Specifications:

Electrical

- Universal heavy gauge junction box with snap-out sides
- Grounding pigtail
- 1/2" & 3/4" pryouts for rigid or BX fittings
- Rated for 8 #12 90-degree conductors (4 in, 4 out)
- 120/277v electronic HPF ballast with end of life protection

Construction

- 2 horizontal 18w Quad tube compact fluorescent G24q-2
- Notched housing for chalkline or laser alignment
- Trims adjust to accommodate 1/2" to 1-1/4" thick ceilings
- 6 pieces of UL Classified fire resistant gypsum board attached to recessed housing
- Fiberglass gasket on bottom of frame to minimize heat transfer into ceiling cavity

Bar Hangers

- Integral nailers for wood joist construction
- Integral T-bar mounting clamps
- Securely span 24" T-bar spacing
- Integral set-screw lock to secure housing
- Captive and factory installed
- 90-degree mounting for tight spaces
- Galvanized steel

Labeling

- UL/CUL listed for damp location and through branch wiring
- Non-IC rated
- UL Classified to maintain fire ratings of 1 hour or less for all L500 series fire rated ceiling/floor assemblies

Lamp/Trim

- Socket box mounts securely to reflector for consistent lamp positioning
- Lamps positioned in reflector to optimize photometric performance
- Trim retention accomplished by use of 3 spring clips located inside aperture of frame-in
- Trim must be ordered separately

Catalog #	Description	Lamp Base	Line Current	Input Watts	Min. Start Temp
P68-EBFB	120/277V Electronic	G24q-2	.33/14	39	0

* Technical data is for two lamps.

Progress Lighting
701 Millennium Blvd.
Greenville, South Carolina
29607

www.progresslighting.com
Patent# 6,357,891



Rev. 2/09