



Compact Fluorescent

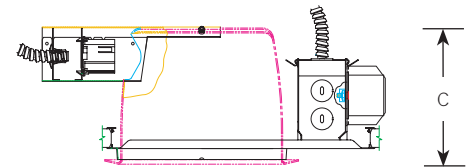
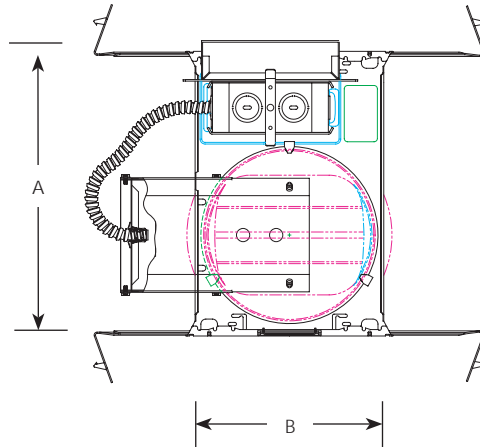
6" Pro-Optic™ Housing
13w Twin or Quad Tube
2 Horizontal Lamps
Non-IC

Recessed

Type _____
 -277 -EB -277EB
 P63

Dimensions (Inches)

Catalog No.	Lamping	A	B	C
P63	(2) 13w Twin or Quad Tubes	10-3/4	7-7/8	5-1/4
		Ceiling Opening = 6-7/8		
		Maximum Ceiling Thickness = 1-1/4		



• Trim must be ordered separately; P8030 trim shown above

Specifications:

Electrical

- Universal heavy gauge junction box with snap-out sides
- Grounding pigtail
- 1/2" & 3/4" pryouts for rigid or BX fittings
- Magnetic 120V (HPF) HPF ballast
- Rated for 8 #12 90-degree conductors (4 in, 4 out)
- All ballast options contain thermal protection and are HPF
- All electronic ballast options contain end of life circuit protection

Construction

- Double horizontal 13w Twin or Quad tube compact fluorescent
- Notched housing for chalkline or laser alignment
- Full wrap-around mounting frame
- Removable cutouts for remodel use (P8607-01 plaster frame clips also required)
- Galvanized steel construction
- Trims adjust to accommodate 1/2" to 1-1/4" thick ceilings

Bar Hangers

- Integral nailers for wood joist construction
- Integral T-bar mounting clamps
- Securely span 24" T-bar spacing
- Integral set-screw lock to secure housing
- Captive and factory installed
- 90-degree mounting for tight spaces
- Galvanized steel

Labeling

- UL 1570 and CUL listed for damp location and through branch wiring
- Non-IC rated
- Approved for use in New York City per calendar #42270
- See P63-FB for fire-rated applications

Lamp/Trim

- Socket box mounts securely to re-reflector for consistent lamp positioning
- Lamps positioned in reflector to optimize photometric performance
- Trim retention accomplished by use of 3 spring clips located inside aperture of frame-in
- Trim must be ordered separately

Options

- All emergency battery pack options are factory installed and pre-wired (See emergency section for specifications)

Catalog #	Description	Lamp Base	Line Current Amps	Input Watts	Min. Start Temp
P63	120V Magnetic	GX23	.27	31	32
P63-277	277V Magnetic	GX23	.10	26	32
P63-EB	120V Electronic	G24q-1	.25	30	0
P63-277EB	277V Electronic	G24q-1	.11	29	-4
P63-EM	120V Magnetic Emergency	GX23	.27	31	32
P63-277EM	277V Magnetic Emergency	GX23	.10	26	32
P63-EBEM	120V Electronic Emergency	G24q-1	.25	30	0
P63-277EBEM	277V Electronic Emergency	G24q-1	.11	29	0

* Technical data is for two lamps.

Progress Lighting
 Post Office Box 5704
 Spartanburg, South Carolina
 29304-5704

www.progresslighting.com

Rev. 3/06