



Compact Fluorescent

6" FireBox®
2-Hour Fire Resistant, Air-Tight
Non-IC

Recessed

Type _____

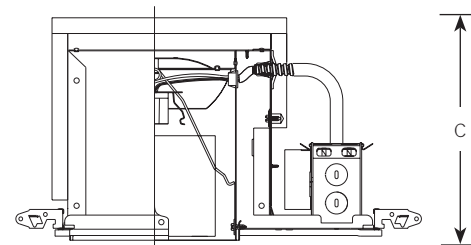
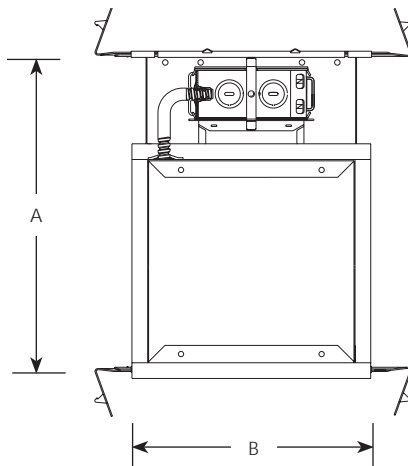
-FB

P62

Dimensions (Inches)

A	B	C
12-3/8	9-1/2	8-11/16
Ceiling Opening = 6-7/8		
Maximum Ceiling Thickness = 1-1/4"		
Weight: 12.5 lbs.		

Catalog No.	Lamping
P62-FB	(1) 26w or 32w Triple Tube/Spiral (max depending on trim type)



Specifications:

Electrical

- Universal heavy gauge junction box with snap-out sides
- Grounding pigtail
- 1/2" & 3/4" pryouts for rigid or BX fittings
- Rated for 8 #12 90-degree conductors (4 in, 4 out)
- Thermal protection

Construction

- One injection molded socket for 26w or 32w (GX24q-3) 4-pin triple tube/spiral compact fluorescent lamp
- Notched housing for chalkline or laser alignment
- 6 pieces of UL Classified fire resistant gypsum board attached to recessed housing
- Fiberglass gasket on bottom of frame to minimize heat transfer into ceiling cavity

Bar Hangers

- Integral nailers for wood joist construction
- Integral T-bar mounting clamps
- Securely span 24" T-bar spacing
- Integral set-screw lock to secure housing
- Captive and factory installed
- Shipped with four clips for installation to furring channels
- Galvanized steel

Labeling

- Non-IC rated
- UL-CUL Listed for damp locations
- Complies with Washington State Energy (WSEC) requirements for Air-Tight
- UL Classified to maintain fire ratings of 1 hour or less for all P200 and P500 series fire rated roof/ceiling assemblies
- UL Classified to maintain fire ratings of 2 hours or less for all D200, G200, L200, D500, G500, and L500 series fire rated floor/ceiling assemblies

Lamp/Trim

- Socket mounts securely to re-flector for consistent lamp positioning

Progress Lighting
Post Office Box 5704
Spartanburg, South Carolina
29304-5704

www.progresslighting.com
Patent Nos. 6357891, 6254527

Rev. 9/05