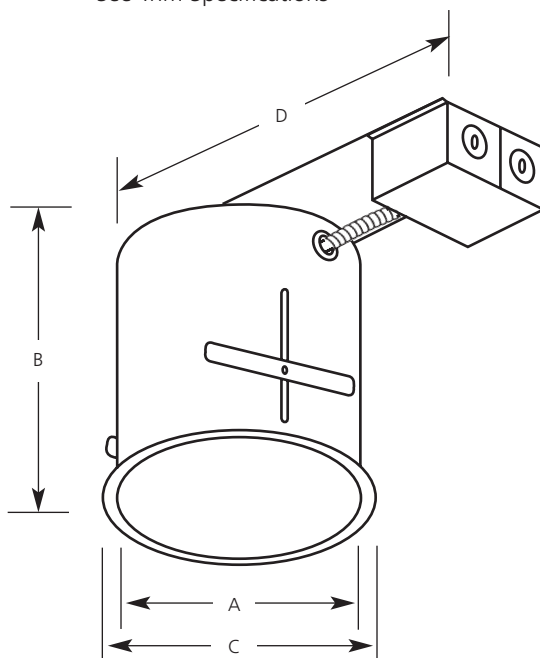


Type \_\_\_\_\_

P187-TG

Catalog No.	Lamping	Dimensions (Inches)			
		A	B	C	D
P187-TG	See Trim Specifications	6-1/2	7-1/2	7-1/8	15-1/2
		Ceiling Opening 6-5/8			



**Specifications:**

Wiring

- 1/2" Knock outs
- Grounding pigtail

Construction

- Housing adjusts from 1/2" to 1-1/2" thick ceilings
- Galvanized steel construction
- Porcelain socket with nickel-plated brass screw shell
- Socket can be used as work light
- Adjustable slide bars lock unit securely to ceiling

Labeling

- IC & Non-IC listed
- UL-CUL listed for damp location and feed-through wiring (2in, 2out, 12ga.)
- Approved for use in new York city per calendar #40330

Lamp/Trim

- Trim mounted socket for optimum performance
- Trim-Lok® action forces trim to fit snugly against the ceiling