

HID

**Contoured  
Roadway**

**Commercial Outdoor**

Type \_\_\_\_\_

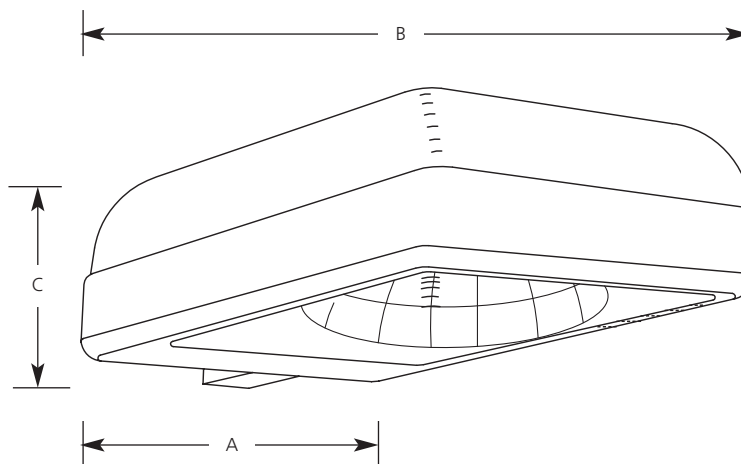
-20

PSL001

PSL002

Catalog No.	Finish	Lamping	Dimensions (Inches)		
	Bronze		A	B	C
PSL001	-20	MH (m)175w ED17	16	21-3/4	6-3/4
PSL002	-20	MH (m)250w ED17	16	21-3/4	6-3/4

Note: A is width, B is length (less arm, which is 6" long), and C is depth.



**Specifications:**

Housing

- Cast aluminum with radius corners
- Hinge gasketed door with two captive stainless steel screws
- Hydroformed one piece aluminum reflector
- Flat tempered clear glass lens, sealed into door
- Bronze powder coated finish
- EPA (Effective Projected Area) - 1.2 sq. ft. (0.1 sq. meters)
- Weight = 44 lbs. (20 ks)

Optics

- Type III distribution pattern
- Designed for full cutoff classification
- Field rotatable.

Mounting

- Post side - (Order pole separately, PP4207-20)

Mounting (cont.)

- Includes 6" Rigid Arm for mount to square pole
- Uses #2 arm drill pattern (2-bolt)

Electrical

- HPF 120/208/240/277v Magnetic ballast
- Prewired for 277v
- Rated for -30 degree starting temperature
- Medium based 4 KV rated porcelain sockets

Labeling

- UL-CSA wet location listed