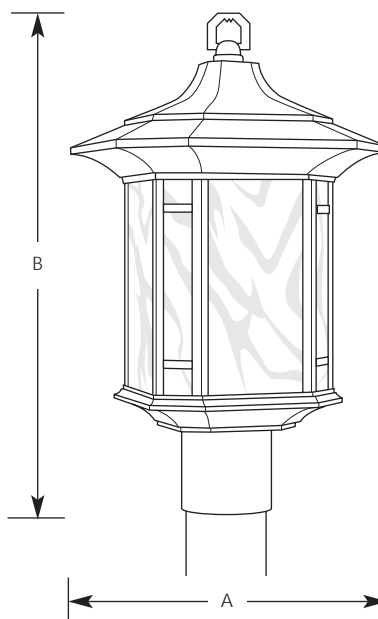


Type \_\_\_\_\_  
 -46STR  
 P5435

Catalog No.	Finish	Lamping	Dimensions (Inches)	
	Weathered		A	B
P5435	Bronze	1-26/32w Quad CFL	10	18-1/8



**Specifications:**

General

- Light honey art glass panels
- Hand painted finish
- Die cast aluminum construction
- Matching incandescent wall and chain hung units available
- Meets Energy Star requirements

Electrical

- Prewired
- 120v NPF electronic ballast
- 4-pin GX24q-3 base socket
- Complete with photocell for on at dusk, off at dawn operation

Mounting

- Post mount - fits a 3" post

Labeling

- UL-CUL wet location listed



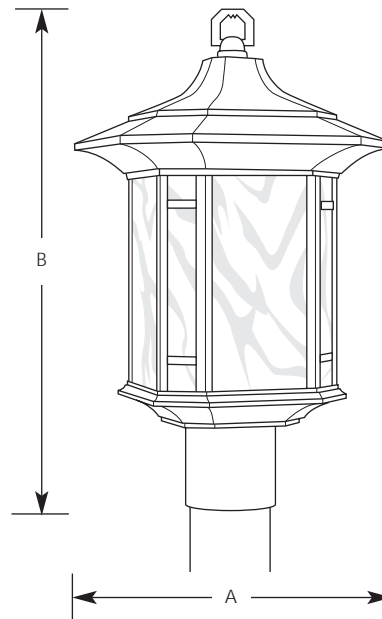
Compact Fluorescent

Arts & Crafts  
Energy Star

Outdoor

Type \_\_\_\_\_  
-46STR  
P5435

Catalog No.	Finish	Lamping	Dimensions (Inches)	
	Weathered Bronze		A	B
P5435	-46STR	1-4 pin 26/32 CFL	10	18-1/8



**Specifications:**

General

- Light honey art glass panels
- Cast aluminum construction
- Hand painted weathered bronze finish
- Energy Star certified
- Matching wall lantern

Electrical

- 4 pin GX24q1 socket
- 120v NPF electronic ballast
- Pre-wired

Labeling

- UL-CUL wet location listed

Mounting

- Post mount outdoor
- Fits a 3" post or pedestal mount (order separately)



Progress Lighting  
Post Office Box 5704  
Spartanburg, South Carolina  
29304-5704

www.progresslighting.com

Rev. 12/05