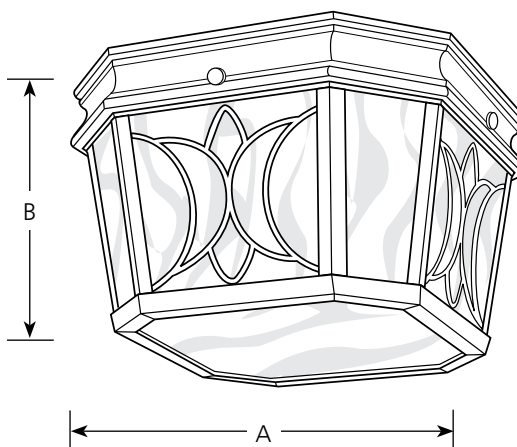


Type _____
 -86
 P5532

Catalog No.	Finish	Lamping	Dimensions (Inches)	
	Burnished Chestnut		A	B
P5532	-86	2 (m) 60w	9-5/8	6-1/4



Specifications:

General

- Cast Aluminum construction
- Thumb screws hold glass fram in place
- Hand painted finish
- Matching wall, post top and chain hung units available

- Porcelain medium based sockets
- Socket covers match fixture exterior
- Pre-wired

Labeling

- UL-CUL " Damp location " listed

Mounting

- Ceiling flush mounted
- Covers a standard junction box
- Mounting strap for outlet box included

Electrical