

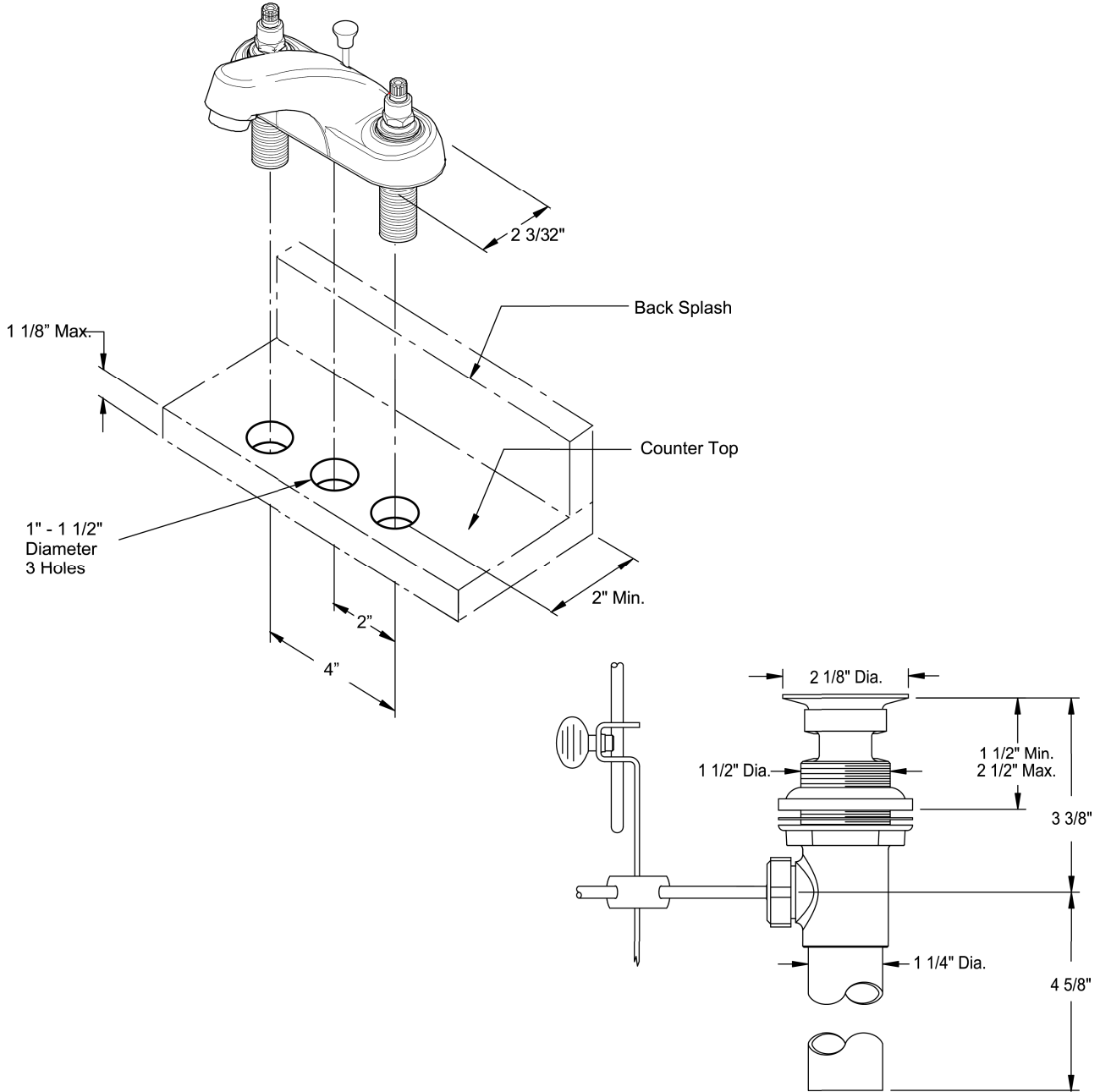
INSTALLATION DIMENSIONS

43 Series

Bedford[®]
Collection

4" Centerset Lavatory Faucet

Critical Dimensions:	
Air Gap	1 7/8
Inlet Connection	1/2-14 NPSM
Spout Reach	3 5/16



CAUTION:
When using the compression fittings in this package, with these types of installations, the installer must flare or bead the water supply lines to avoid blow-out conditions. Avoiding such steps in the installation of the unit may result in water damage.

Connect inlet supply lines by assembling brass supply nut (A), friction ring (B) and cone washer (C) onto 3/8" O.D. straight copper tube. Bead or flare. Wrench tighten.

1-800-PFAUCET www.pricepfister.com
19701 DaVinci, Lake Forest, CA 92610
01/8/03

Price Pfister[®]
Pf Pfreshet Ideas in Pf faucets.

SS-043-01

