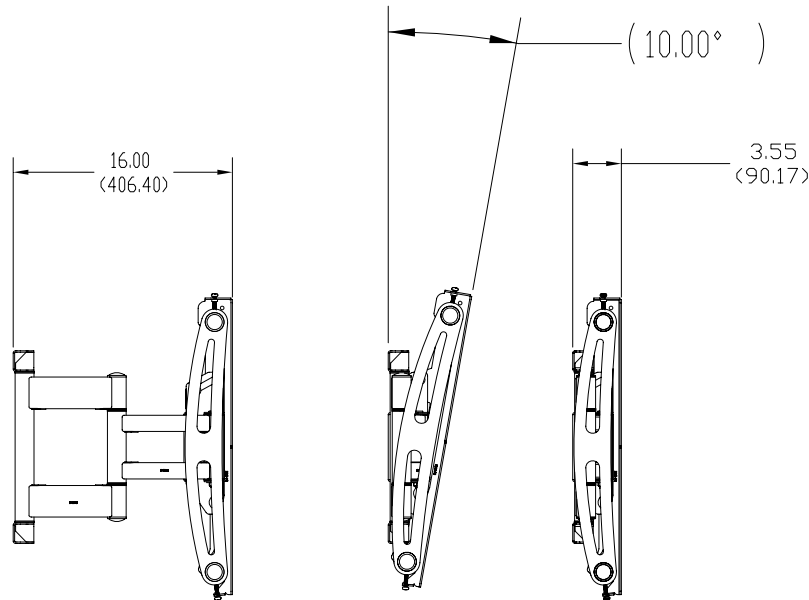
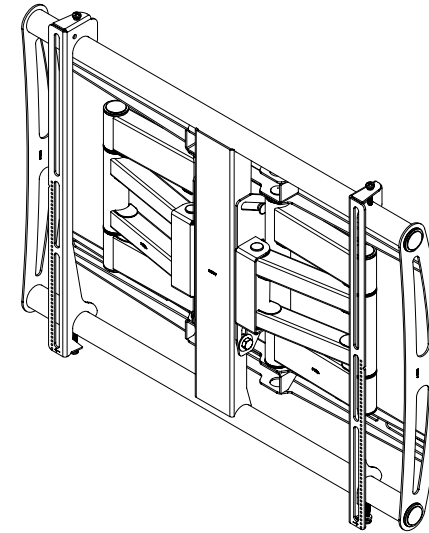
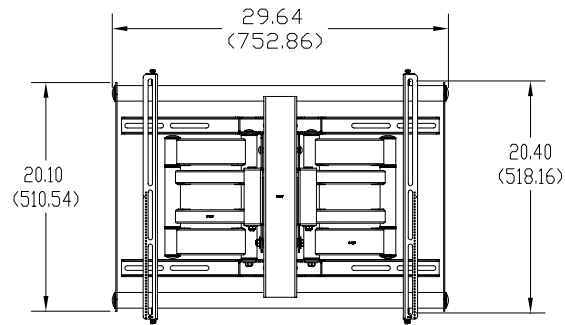


THE INFORMATION CONTAINED IN THIS DRAWING IS THE SOLE PROPERTY OF PREMIER MOUNTS (OR PMP). ANY REPRODUCTION IN PART, OR WHOLE, WITHOUT THE WRITTEN PERMISSION OF PREMIER MOUNTS (OR PMP) IS PROHIBITED

REVISIONS			
REV.	DESCRIPTION	DATE	APPROVED



Architectural Specifications

The swingout arm will be a Premier Mounts AM250, or equivalent, and can be used to mount plasma, or LCD, displays from a variety of wall structures. It will mount to wood joists or concrete. It will be made of cold-rolled steel and will support up to 160lbs. It will be UL listed and approved. Assembly and installation will be performed according to the instructions provided by the manufacturer.

Surface Types - Wood or Concrete

Weight Capacity - 160lbs.

Dimensions - 29.64" (W) x 20.40" (H)

Adjustability - It will fit 37" to 50" LCD/ Plasma displays; It will sit 4" from wall (fully retracted);

16.00" from the wall (fully extended); Tilt Capability of 10°; Swivel Capability of 45°

Attachment - Wood Screws or Concrete Anchors