

**Installation Instructions**



**Flip-Down LCD Mount**

---

Premier Mounts  
3130 E. Miraloma Avenue  
Anaheim, CA 92806  
Phone: (800) 368-9700 Fax: (800) 832-4888  
mounts@mounts.com www.mounts.com



---

**TABLE OF CONTENTS**

Warranty	2
Warning Statements	2
Parts List	3
Installation Tools	3
Installing the Mount	4
Mount Adjustments	6
Mounting the Display	7
Technical Specifications	8

**Warranty****Limited Lifetime Warranty**

All Premier Mounts products carry a limited lifetime warranty from ship date against defects in materials and workmanship. Premier Mounts is not liable for improper installation that results in damage to mounts, adapters, display equipment or personal injury.

**Warning Statements**

**WARNING:** THE STRUCTURE MUST BE CAPABLE OF SUPPORTING AT LEAST FIVE (5) TIMES THE WEIGHT OF THE DISPLAY. IF NOT, IT MUST BE REINFORCED. PROPER INSTALLATION PROCEDURE BY A QUALIFIED SERVICE TECHNICIAN, AS OUTLINED IN THE INSTALLATION INSTRUCTIONS, MUST BE ADHERED TO. FAILURE TO DO SO COULD RESULT IN SERIOUS PERSONAL INJURY, OR EVEN DEATH.

**WARNING:** SAFETY MEASURES MUST BE PRACTICED AT ALL TIMES DURING THE INSTALLATION OF THIS PRODUCT. USE PROPER SAFETY GEAR AND TOOLS FOR THE INSTALLATION PROCEDURE TO PREVENT PERSONAL INJURY.



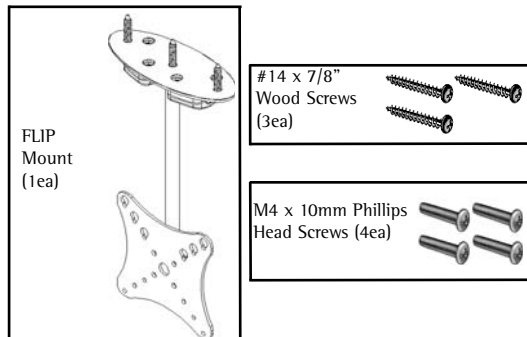
Do not install on a structure that is prone to vibration, movement or chance of impact. Failure to do so could result in damage to the display and/or damage to the mounting surface.



Recommended mounting surface: wood. If the mount is to be installed on any surface other than wood, use suitable hardware (which is commercially available).

**Parts List**

**NOTE:** This mount is shipped with all installation hardware and components. Make sure that none of these parts are missing and/or damaged before beginning installation. If there are parts missing and/or damaged, please stop and contact Premier Mounts (800) 368-9700 or email Technical Support at techsupport@mounts.com.

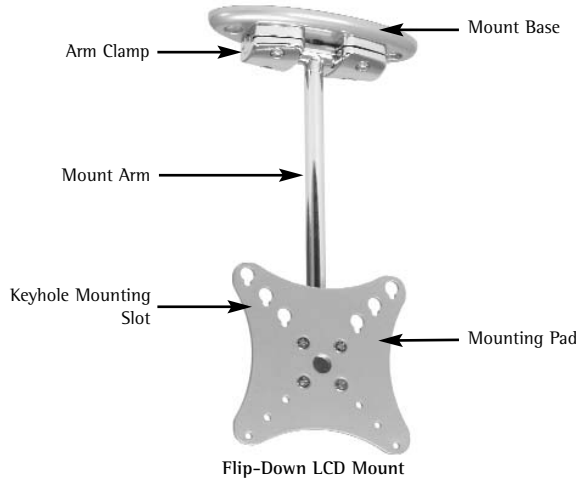
**Installation Tools**

Phillips Head Screw Driver  
Soft Material/ Blanket  
Tape Measure  
1/16" Drill Bit (for pilot holes)

Portable Drill  
Pencil  
Allen Wrench (Supplied)

**Installing the Mount**

1. Determine where the FLIP Mount will be located.
- NOTE:** Before drilling, make sure that there is enough room to lower and raise the display. For example, when the display is put in the “up” position, it should not hit the wall and should be even with the front of the cabinet.
2. Take the arm clamps off by removing the four (4) socket button head screws. Use the supplied Allen wrench (Figure 1).
  3. Mark, and then predrill the mounting holes (Figure 2). Use a 1/16” drill bit.
  4. Line the FLIP Mount up with the three mounting holes and use three (3) #14 x 7/8” wood screws and attach the FLIP Mount to the underside of the cabinet (Figure 2).
- NOTE:** Do not over tighten the mounting screws, as this could cause the threads to strip out the wood inside the cabinet.
5. Re-attach the arm clamps that hold the arm assembly to the base and tighten. Use the supplied Allen wrench.



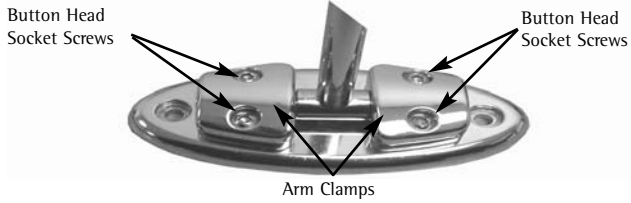


Figure 1. Arm Clamp Removal

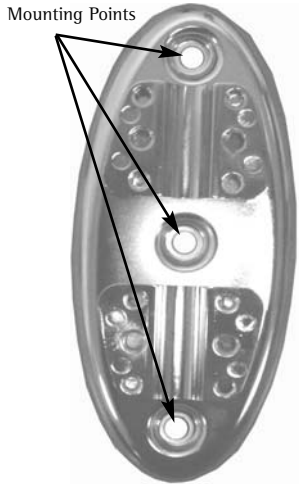


Figure 2. Flip-Down Base Installation\*

\*NOTE: Use the Flip base as a template when pre-drilling the mounting holes.



Figure 3. Flip-Down Mount Installed



**Mount Adjustments**

1. To adjust the Flip-Down Mount, turn the screws clockwise/counter-clockwise (tighten/loosen) using the supplied Allen wrench.
2. To adjust the tension and height of the Flip-Down Mount, turn the screws clockwise/counter-clockwise (tighten/loosen) using the supplied Allen wrench.
3. Once the desired position has been achieved, retighten all adjustment screws (Figure 4).

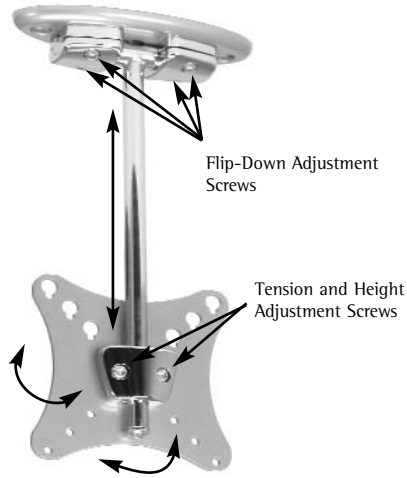


Figure 4. Flip-Down Mount Adjustments

**Mounting The Display**

1. Install the two (2) M4 x 10mm Phillips head screws (7 complete rotations into the display). Insert the screw heads into the matching keyhole slots on the mounting pad.
2. Hang the display on the mount and secure the two remaining M4 x 10mm lower mounting screws (Figure 5). Tighten all hardware. Do not overtighten screws!

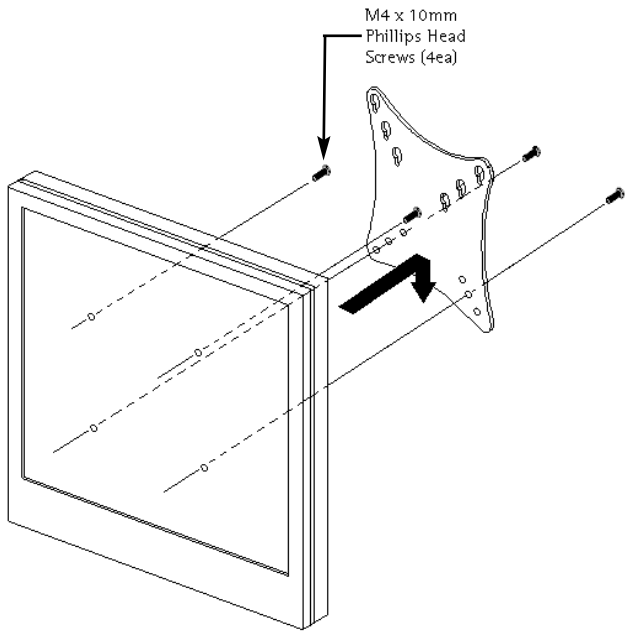


Figure 5. Mounting the Display



Technical Specifications

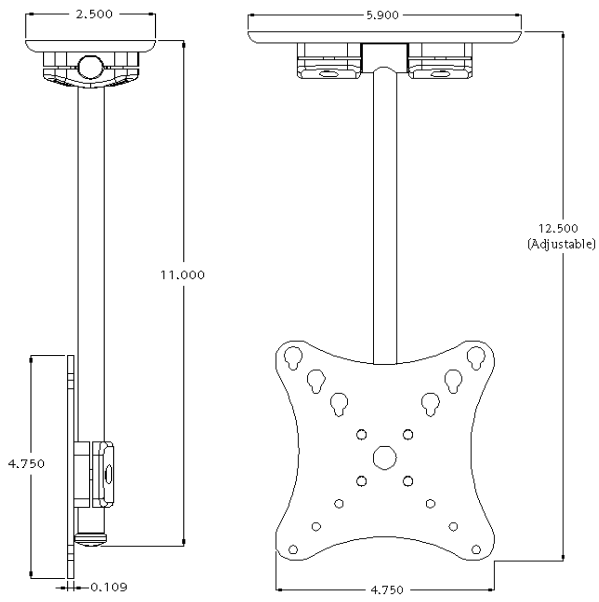


Figure 6. Technical Specifications