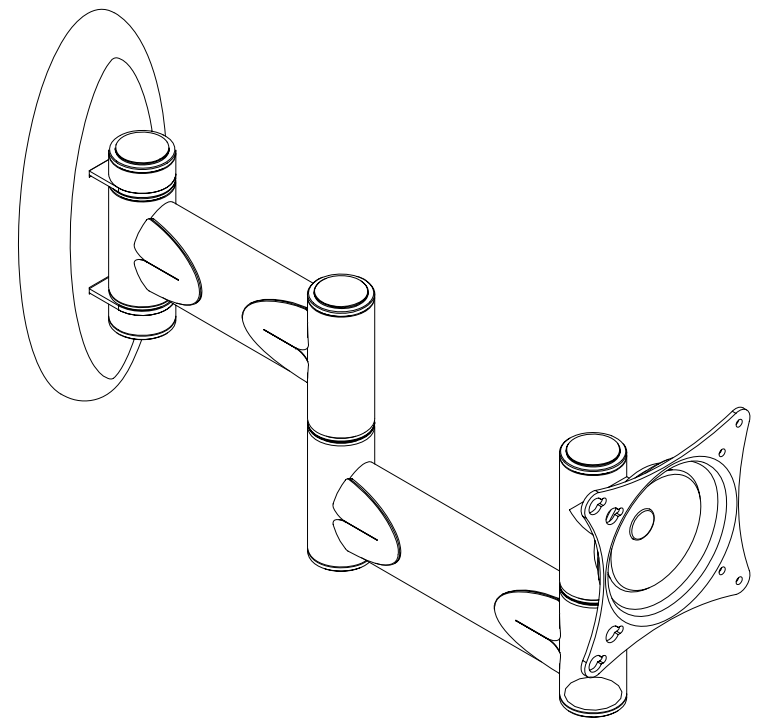
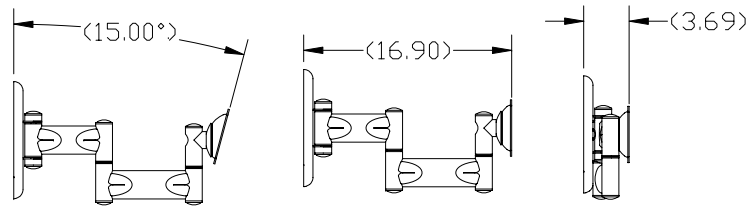


8 7 6 5 4 3 2 1

THE INFORMATION CONTAINED IN THIS DRAWING IS THE SOLE PROPERTY OF PREMIER MOUNT DIVISION OF PMPI. ANY REPRODUCTION IN PART OR WHOLE WITHOUT THE WRITTEN PERMISSION OF PREMIER MOUNT DIVISION OF PMPI IS PROHIBITED.

REVISIONS			
REV.	DESCRIPTION	DATE	APPROVED



**Architectural Specifications**  
 The wall mount will be a Premier Mounts AM2, or equivalent, and can be used to suspend LCDs and plasmas from a wall structure. It will be made of cold-rolled steel tubing and will support up to 50lbs. It will mount to wood joists or concrete, will be extension adjustable from 3.69" to 16.90" and will feature laser cut cable access ports. It will be UL listed and approved. Assembly and installation will be performed according to the instructions provided by the manufacturer.

Surface Types - Wood or Concrete  
 Weight Capacity - 50lbs.  
 Dimensions - 3.69" x 9.75" x 9.50"  
 Adjustability - 3.69" to 16.90"