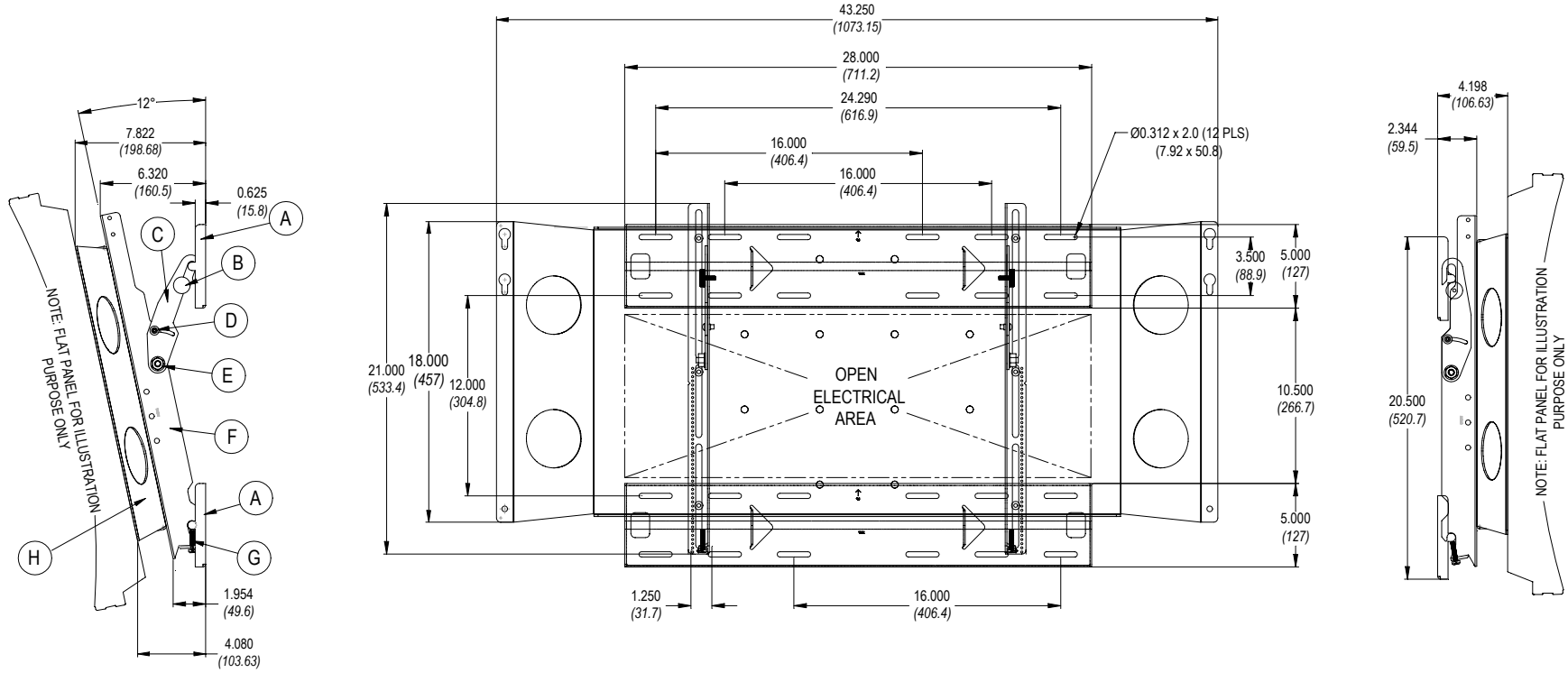


NOTE: THIS DRAWING AND THE SPECIFICATIONS CONTAINED HEREIN ARE CONFIDENTIAL AND PROPRIETARY. THEY ARE THE PROPERTY OF PREMIER MOUNTS... AND WILL NOT BE REPRODUCED IN ANY PART, OR COPIED OR USED IN WHOLE OR IN PART AS THE BASIS FOR THE MANUFACTURE OR SALE OF ITEMS WITHOUT WRITTEN PERMISSION. THIS IS AN UNPUBLISHED WORK PROTECTED UNDER THE FEDERAL COPYRIGHT LAWS.

Dimensions shown in inches and (mm)



- A. Wall plates
- B. Safety knobs
- C. Hook arm
- D. Fine tension adjustment screw
- E. Coarse tension adjustment nut
- F. Mounting bracket
- G. Lateral shift lock screw
- H. Mounting adapter

BID SPECIFICATIONS

- CONSTRUCTION OF THE PCM-MS2 - 12 (ga) CRS
- MOUNTS TO 16" AND 24" WOOD STUDS
- ALL SHARP EDGES ARE BROKEN FOR A SMOOTH FINISH
- MAXIMUM BEND RADIUS ARE (.06) (.03)
- DRAWINGS ARE INTERPRET BY (Y14.5)

Mounting product shall be a Premier Mounts model PCM-_____ flat panel mount. The (5" x 28") wall plate should be installed to the center of the wood studs on the wall structure via eight (8) .406" dia x 2.50" long slots for fine adjustment and to be secured with eight (8) 5/16" x 3.0" wood screws (supplied) or solid structure via (commercially available) suitable hardware depending on the installation environment. Features shall include built-in 0° to 12° tilt and lateral shift adjustment capability. The mounting brackets will mate directly to the specified manufactured flat panel and will secure to the chassis with the mounting hardware (supplied). For further questions please contact PREMIER MOUNTS.



3130 E. Miraloma Ave Anaheim, CA 92806 Phone: 800 368-9700 Fax: 800 832-4888

TITLE

PCM-650