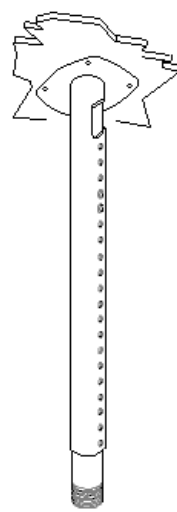
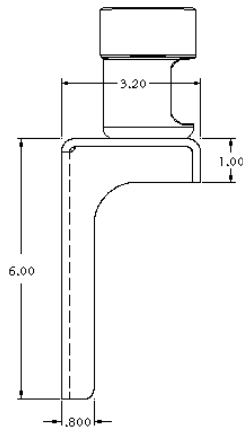
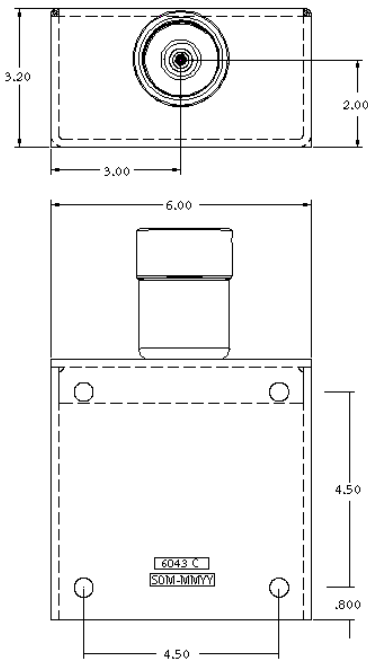


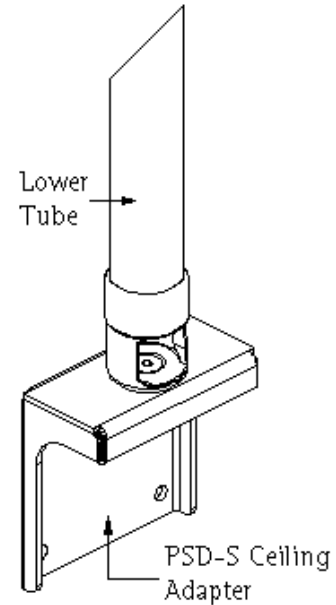


PSD-S INSTALLATION INSTRUCTIONS

1. Separate the upper pipe and the lower tube.
2. Install the upper pipe in the ceiling structure using suitable commercial hardware.
3. Screw the lower portion of the PSD-S to the coupling and secure with the Allen screws.
4. Once the upper pipe has been properly installed, insert the lower tube (with the PSD-S attached) inside the upper pipe.
5. Adjust the desired height and lock it with the two (2) through bolts.
6. Then screw in the (3) three thumbscrews to stabilize the pipe and tube.



Ceiling Structure
and
Upper Pipe



Lower
Tube

PSD-S Ceiling
Adapter

