

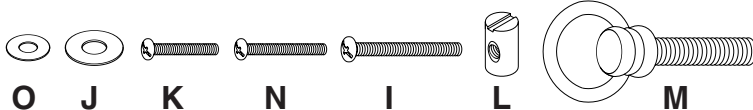
Made in Vietnam

Thank you for purchasing this quality product. Be sure to check all packing material carefully for small parts which may have come loose inside the carton during shipment. Separate, identify, and count all parts and metal hardware. Compare with parts list to be sure all parts are present. If any part(s) are missing or damaged, phone, fax, or mail to our Customer Service Department. For efficient and speedy service, please indicate the model number and code letter of part(s) needed.

PARTS

- | | |
|----------------------|------------------------|
| (A) VANITY TOP | (I) LONG SCREWS (16) |
| (B) LONG LEGS (4) | (J) LARGE WASHERS (16) |
| (C) BENCH TOP | (K) SHORT SCREWS (4) |
| (D) SHORT LEGS (4) | (L) T-BOLTS (2) |
| (E) MIRROR | (M) MIRROR HANDLES (2) |
| (F) MIRROR POSTS (2) | (N) MEDIUM SCREWS (2) |
| (G) DECORATION | (O) SMALL WASHERS (6) |
| (H) DRAWER | |

HARDWARE ILLUSTRATION



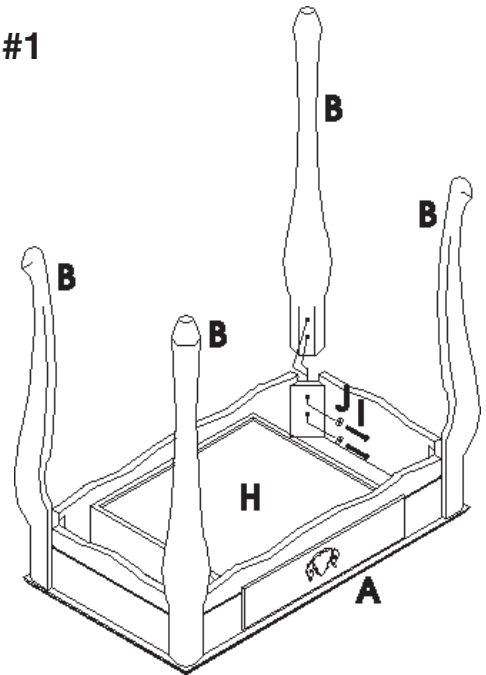
Tools required: Screwdriver (not included)

ATTENTION: SOME NUMBERED PARTS LISTED ON THE INSTRUCTION SHEET MAY NOT BE IN PARTS BAG AS THEY MAY ALREADY BE ASSEMBLED. CAREFULLY CHECK PARTS AND PACKING MATERIALS PRIOR TO ORDERING REPLACEMENTS.

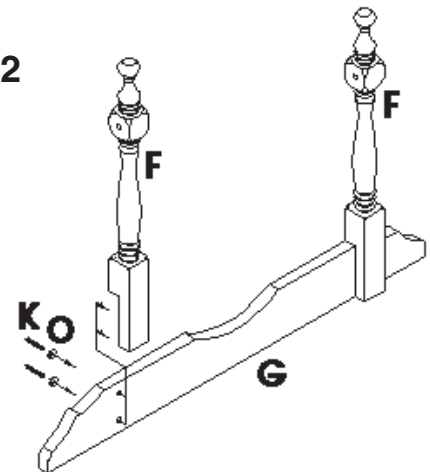
IMPORTANT NOTE: Follow instructions listed below in the proper sequence as numbered to assure fast, easy and correct assembly.

- Note:** Upon opening, thoroughly clean all wood surfaces with furniture polish to remove dust and dirt that may have settled onto finish during shipment.
- Place parts on a soft cloth. Place Vanity Top (A) upside down. Slide Drawer (H) outward. Insert Long Screws (I) through Large Washers (J), corners of Vanity Top (A), and tighten into Long Legs (B). Slide Drawer (H) into place and stand vanity upright. (See ill. #1)
- Align screw holes at base of Mirror Posts (F) with screw holes in Decoration (G). Note: Mirror Posts (F) should be against finished side of Decoration (G). Insert Short Screws (K) through Small Washers (O), back of Decoration (G) and tighten into Mirror Posts (F). (See ill. #2)
- Insert T-Bolts (L), with slot for screwdriver facing outward, into large holes on back of Decoration (G). Position assembled Decoration (G) over holes along top rear edge of Vanity Top (A). Insert Medium Screws (N) through Small Washers (O), underside of Vanity Top (A), bottom edge of Decoration (G) and tighten into T-Bolts (L). Note: If screws do not tighten, rotate T-Bolts (L) so that threads of T-Bolts (L) are facing downward. (See ill. #3)
- While holding Mirror (E) in position between Mirror Posts (F) insert Mirror Handles (M) through Mirror Posts (F) and tighten into sides of Mirror (E). (See ill. #4)

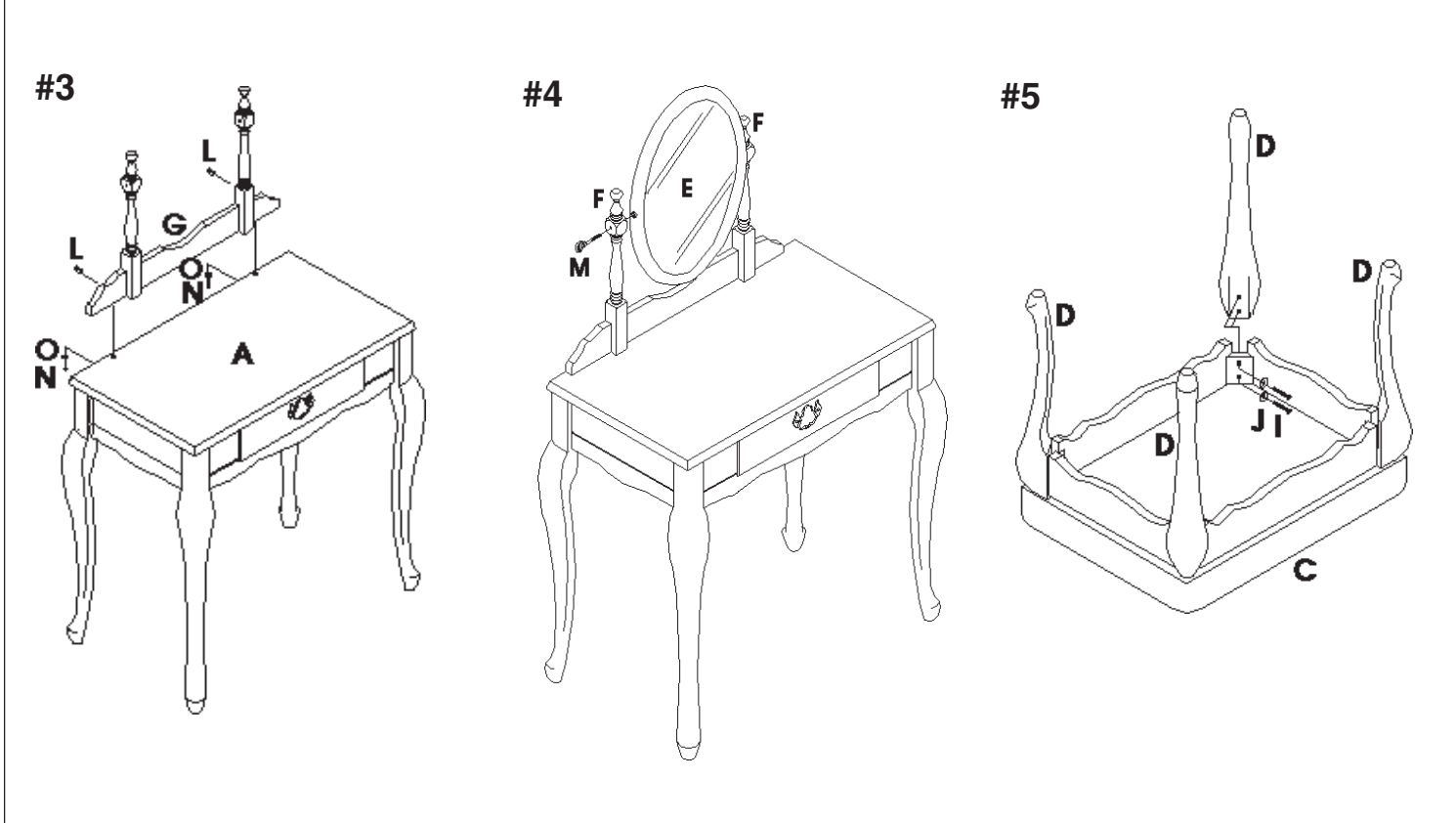
#1



#2



6. Place Bench Top (C) upside down. Insert Long Screws (I) through Large Washers (J), corners of Bench Top (C), and tighten into Short Legs (D). (See ill. #5)
7. Your furniture has been handcrafted and skillfully finished by fine craftsmen. Rich, deep antique finishes have been applied which require very little polish. However, should you desire a shinier finish, simply use any good grade of furniture polish, rubbing the finish lightly as it is being applied. Allow to dry and buff lightly with a soft cloth.



IF YOU HAVE A PROBLEM, WE WANT TO HAVE THE OPPORTUNITY TO MAKE IT RIGHT!

Should there be any missing or defective part(s),

FAX this form to (310) 841-0842

or call and ask for Customer Service at (800) 622-4456 or (310) 204-2224. Have your model number and part code letter handy..

© 1997 Powell

MODEL NO.

C52V "HEIRLOOM CHERRY"

C53V "NOSTALGIC OAK"

Part Letter	Description	Quantity

Name _____

Address _____

Daytime Phone () _____

Reason for Replacement _____

Place of Purchase _____