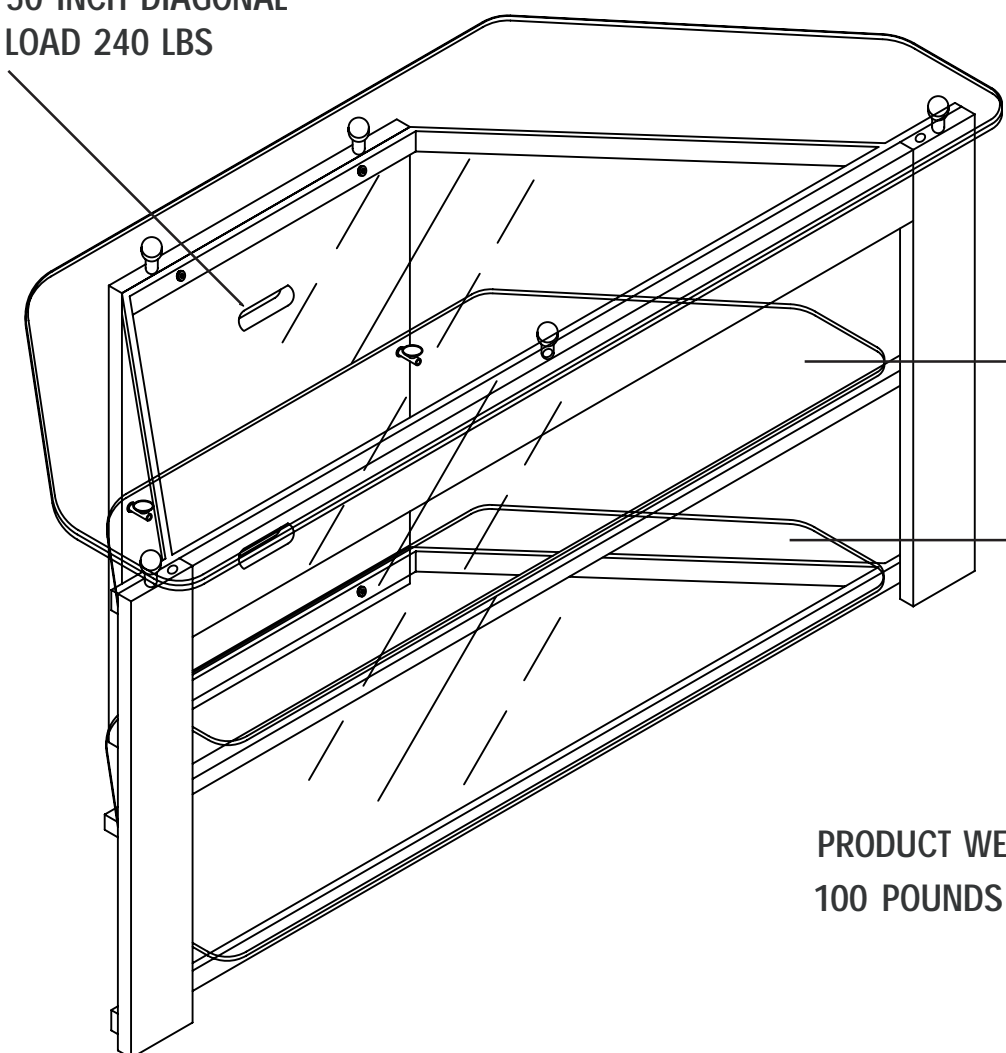


Thank you for purchasing this quality product. Be sure to check all packing material carefully for small parts which may have come loose inside the carton during shipment. Separate, identify, and count all parts and metal hardware. Compare with parts list and hardware illustrations to be sure all parts are present. If any part(s) are missing or damaged, phone, fax, or mail to our Customer Service Department. For efficient and speedy service, please indicate the model number and code letter of part(s) needed.

ATTENTION: SOME LETTERED PARTS LISTED ON THE INSTRUCTION SHEET MAY NOT BE IN PARTS BAG AS THEY MAY ALREADY BE ASSEMBLED. CAREFULLY CHECK PARTS AND PACKING MATERIALS PRIOR TO ORDERING REPLACEMENTS.

Tools Required for assembly: Phillips Screwdriver (not included); Allren Wrench (included).

TELEVISION
MAXIMUM 50 INCH DIAGONAL
MAXIMUM LOAD 240 LBS



PRODUCT WEIGHING
100 POUNDS MAXIMUM

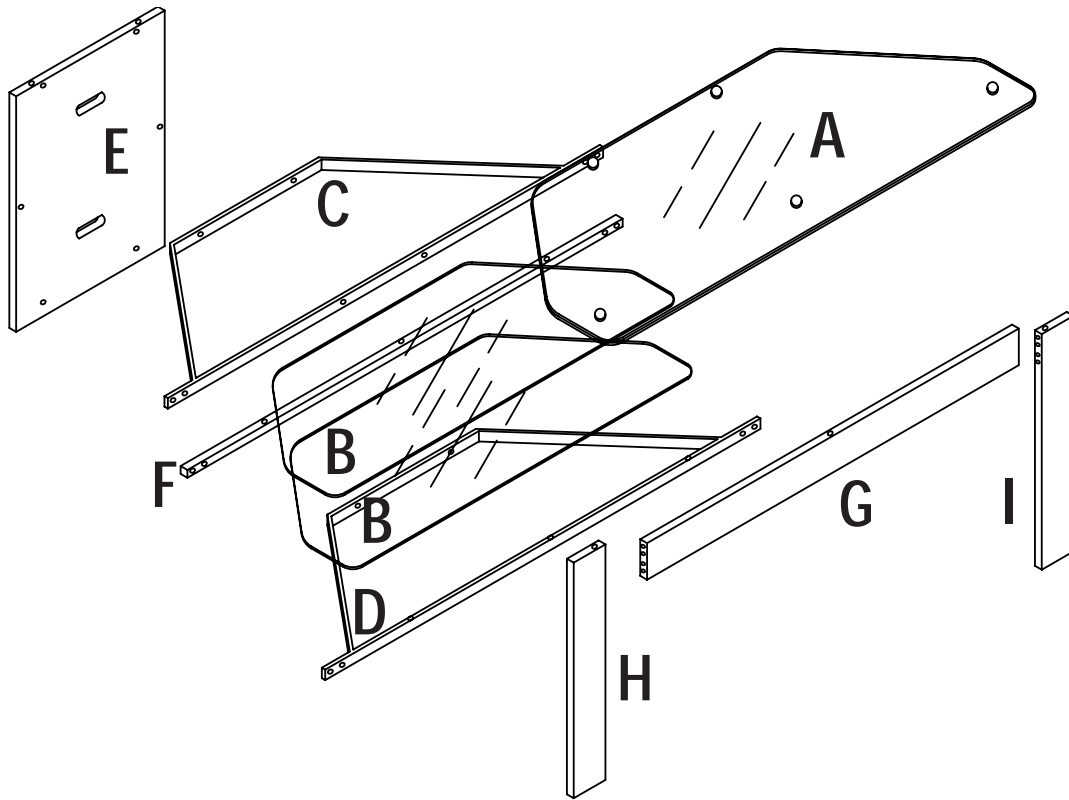
! **WARNING:** TV SHOULD NOT EXCEED MAXIMUM SIZE OF 50 INCHES, OR WEIGHT LIMIT OF 240 LBS, SHELF LOAD NOT EXCEED 100 LBS.

! **CAUTION** - This stand is intended for use only with the products and maximum weights indicated. use with other products or products heavier than the maximum weights indicated may result in instability causing possible injury.

PARTS

- (A) TOP PANEL
- (B) SHELVES (2)
- (C) UPPER SHELF FRAME
- (D) LOWER SHELF FRAME
- (E) BACK PANEL

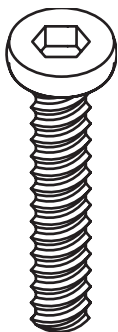
- (F) REAR CROSS BRACE
- (G) FRONT CROSS BRACE
- (H) LEFT POST
- (I) RIGHT POST



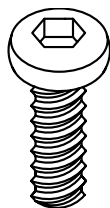
HARDWARE



J
(4 PCS)



K
(14 PCS)



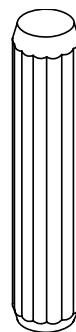
L
(1 PCS)



M
(5 PCS)



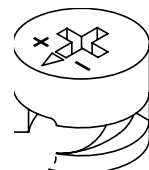
N
(1 PCS)



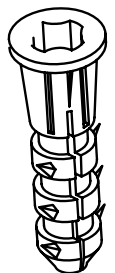
O
(4 PCS)



P
(9 PCS)

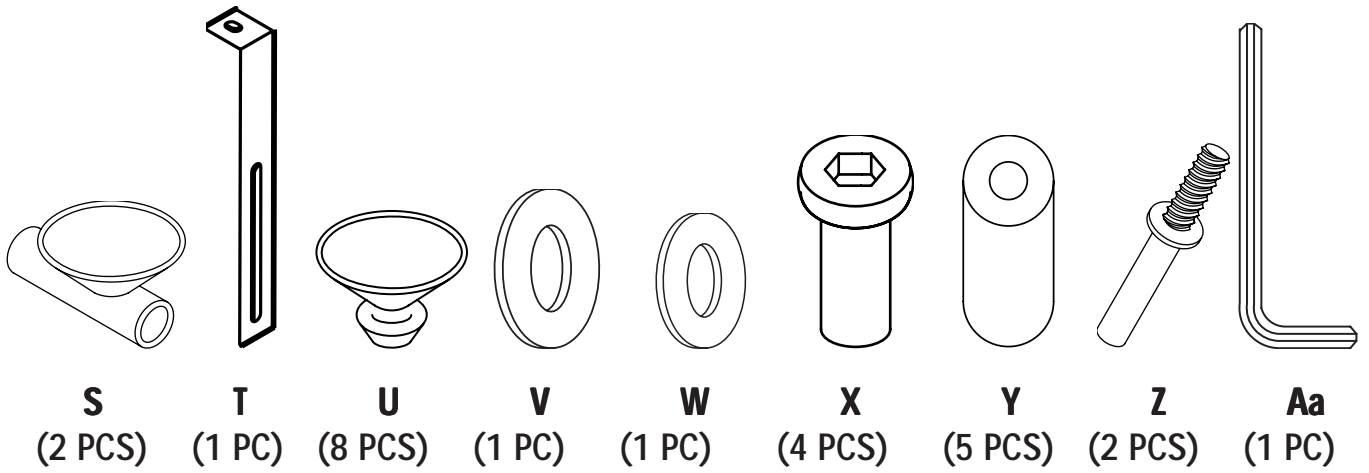


Q
(9 PCS)

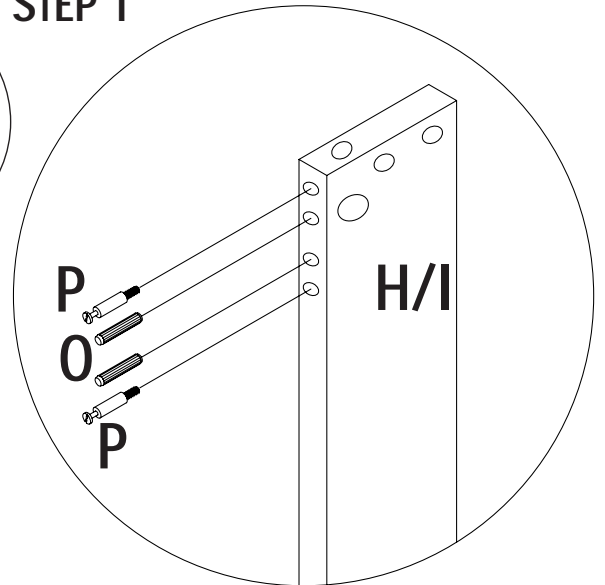
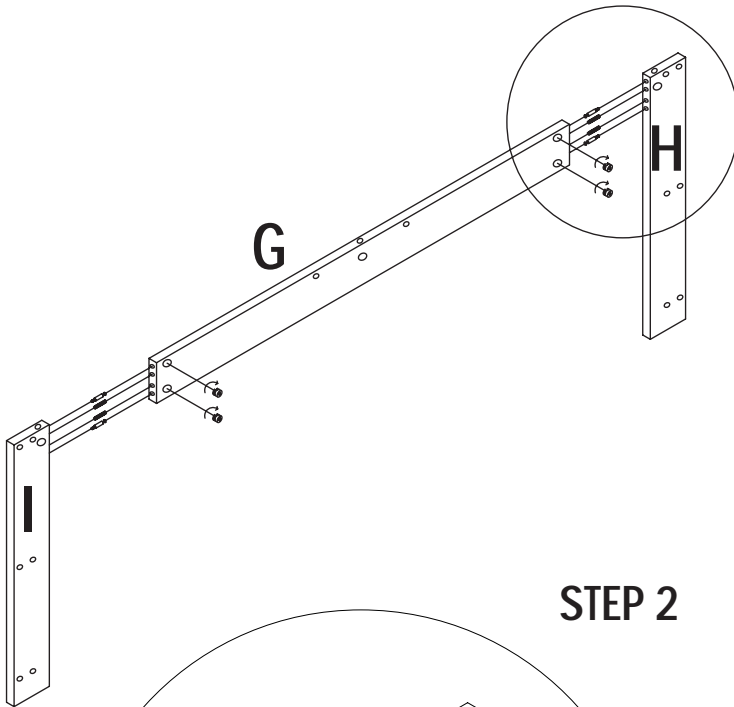


R
(1 PC)

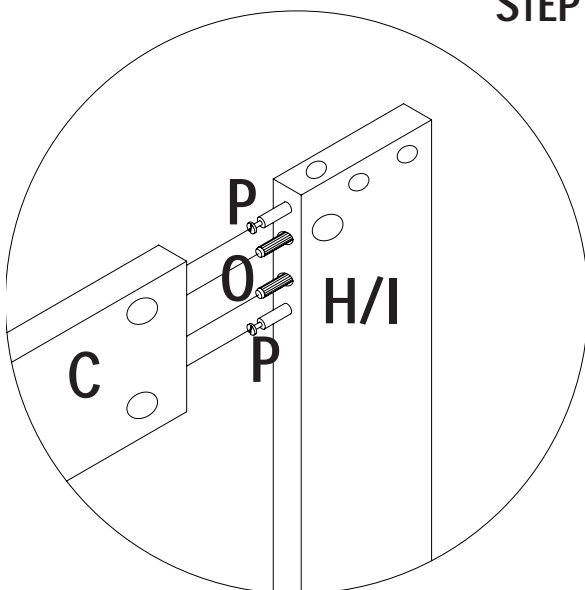
HARDWARE



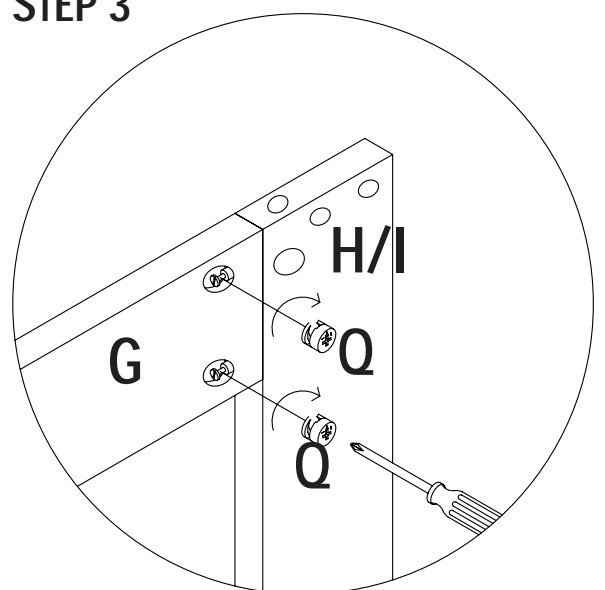
STEP 1



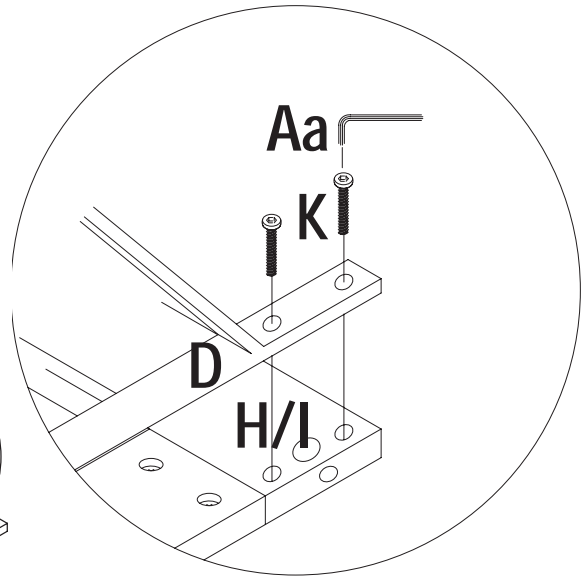
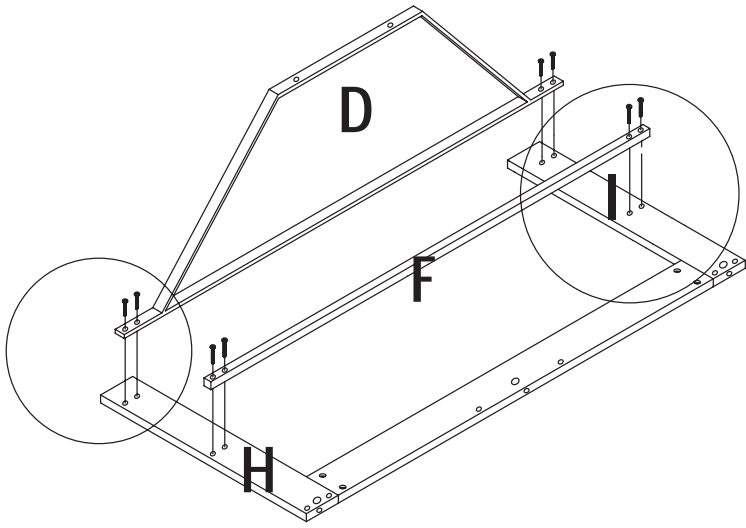
STEP 2



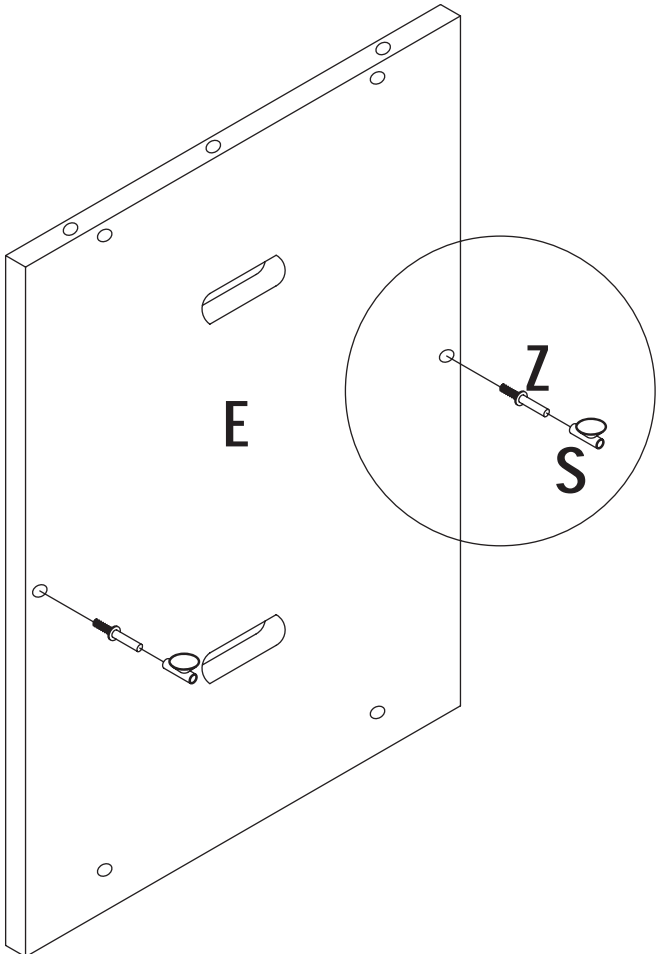
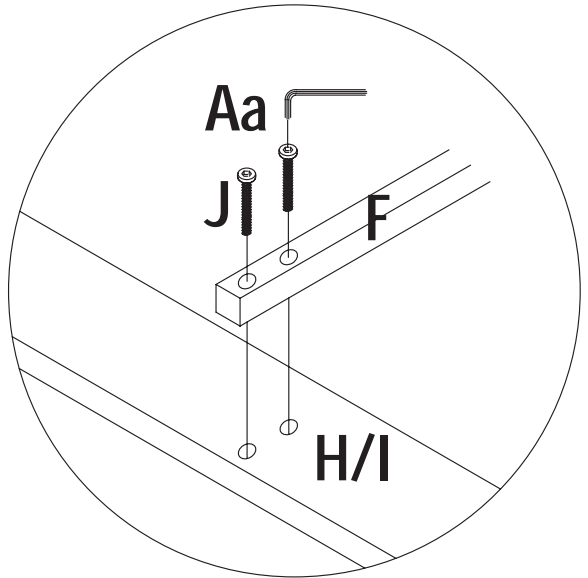
STEP 3



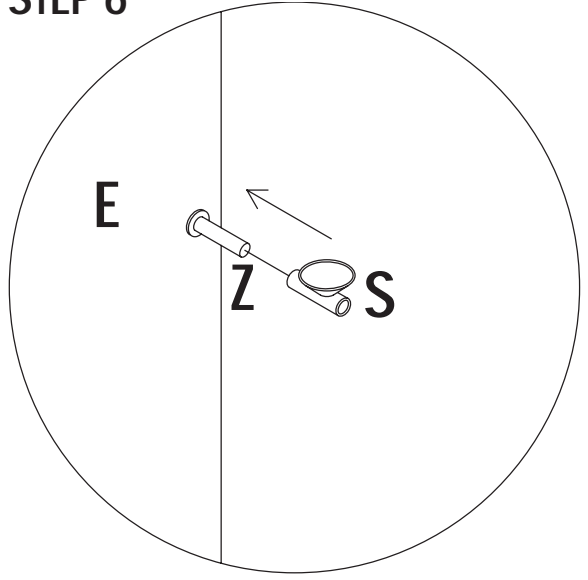
STEP 4



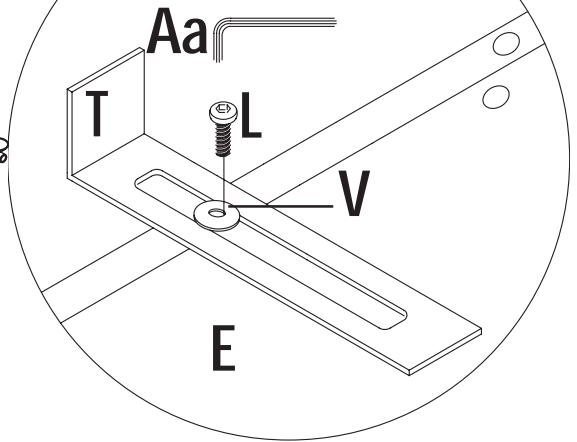
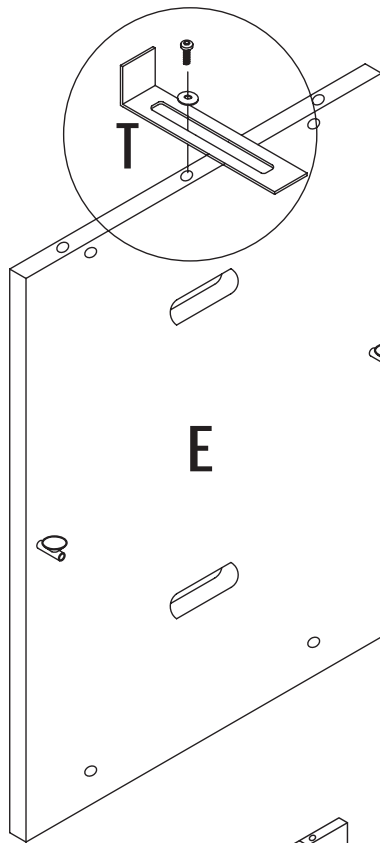
STEP 5



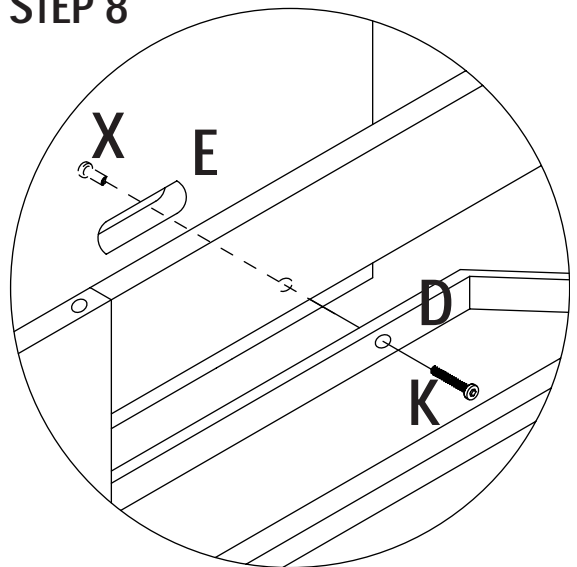
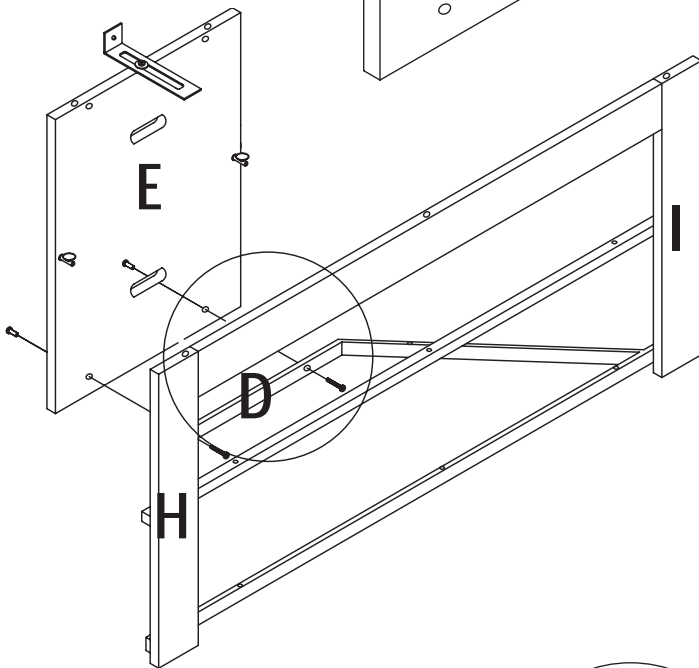
STEP 6



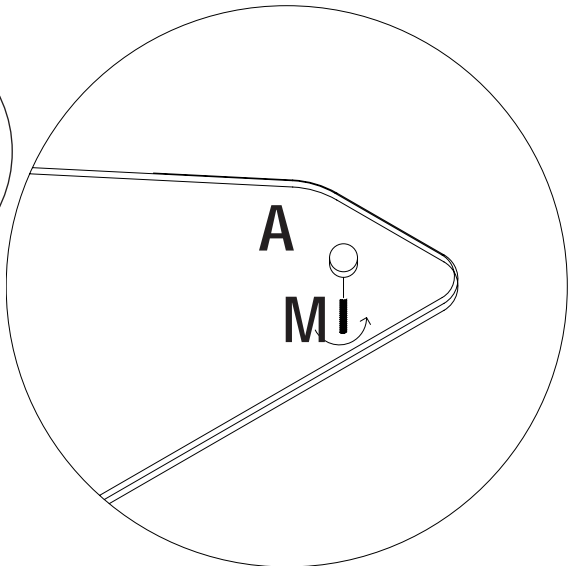
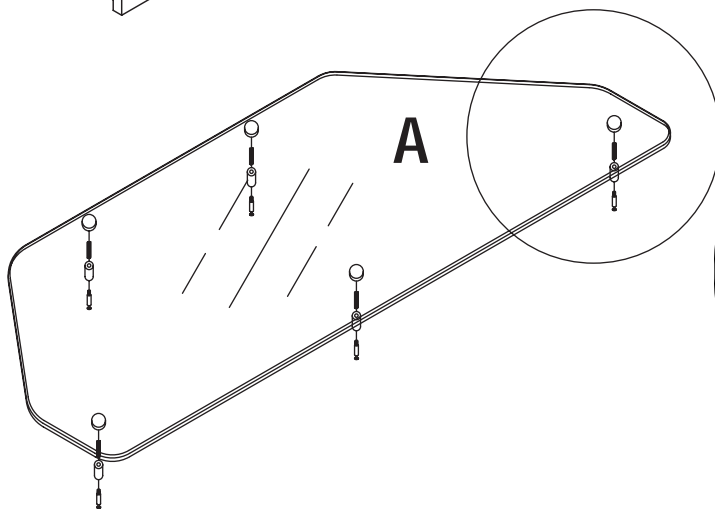
STEP 7



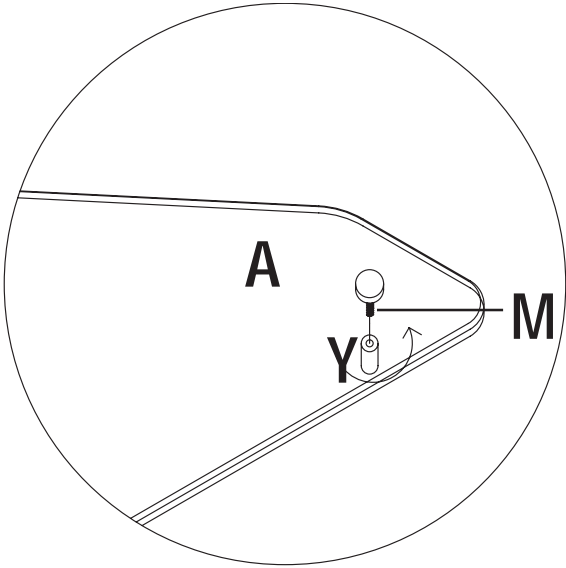
STEP 8



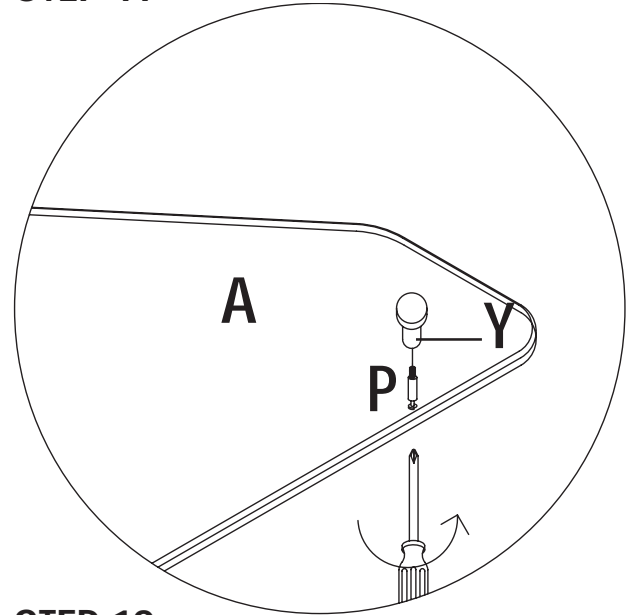
STEP 9



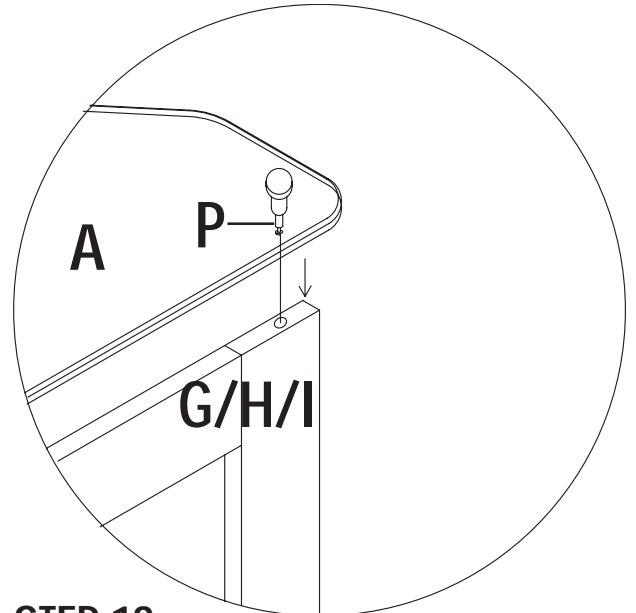
STEP 10



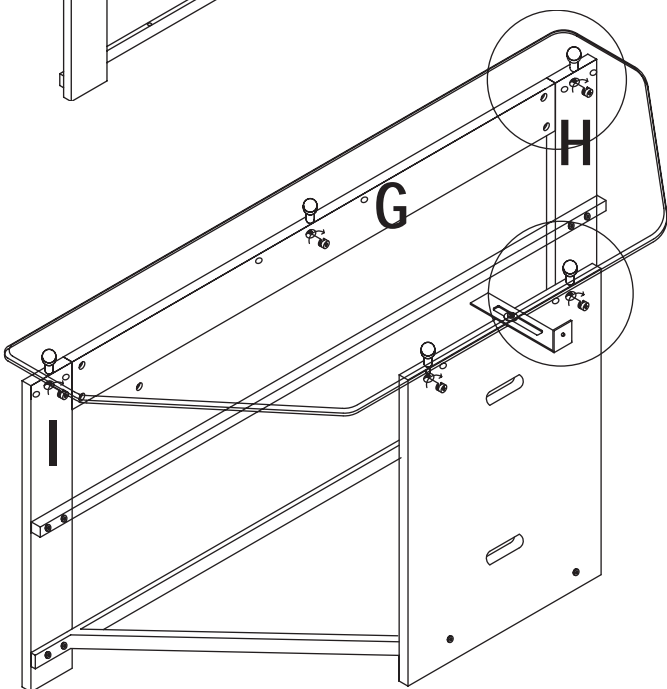
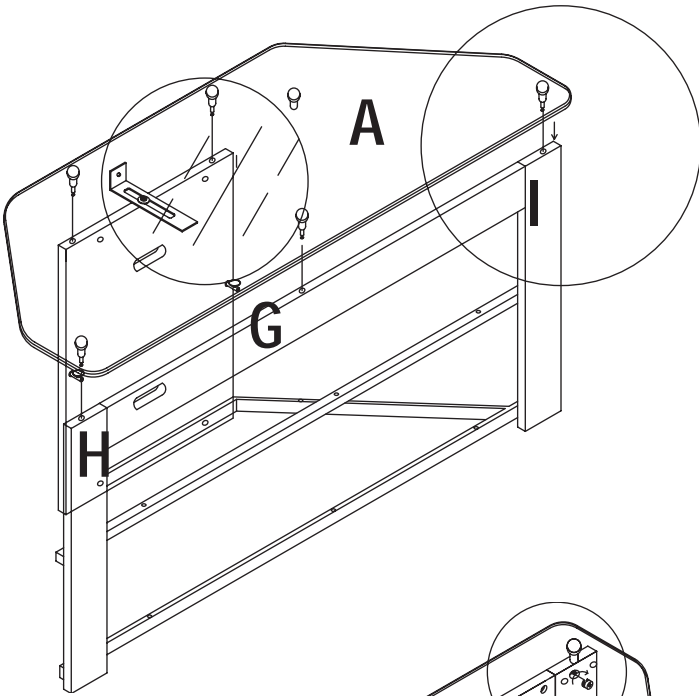
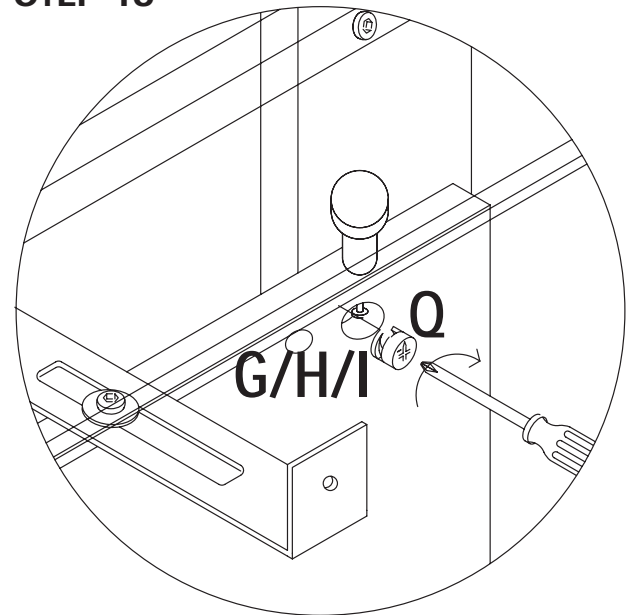
STEP 11



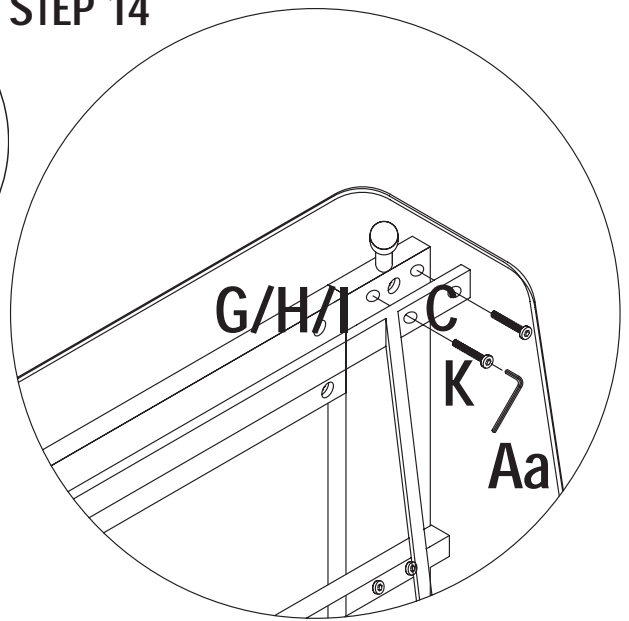
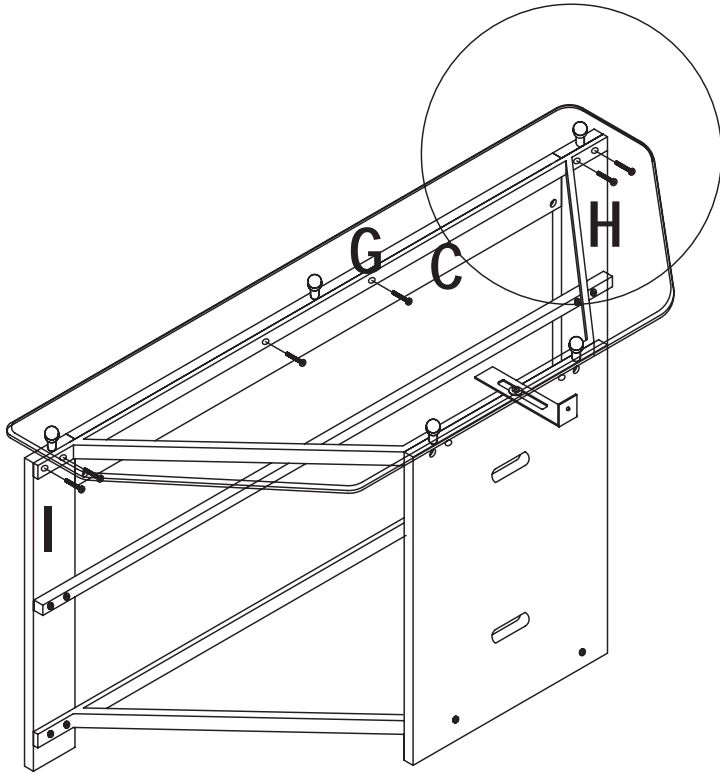
STEP 12



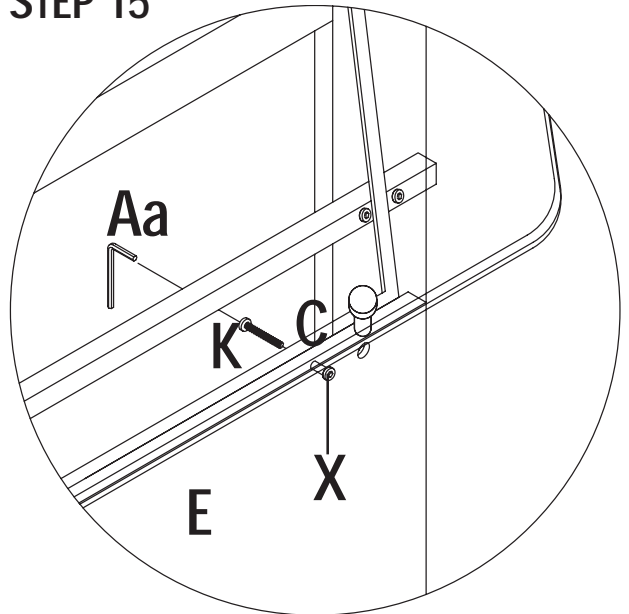
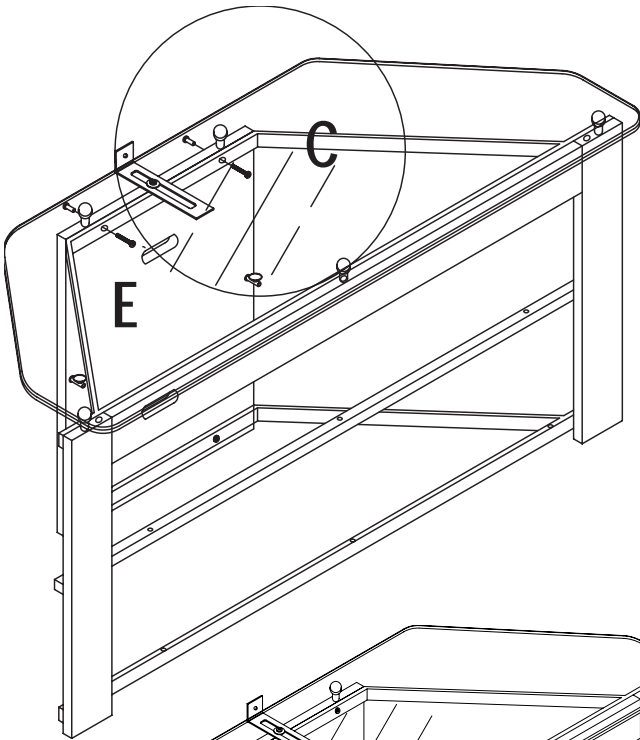
STEP 13



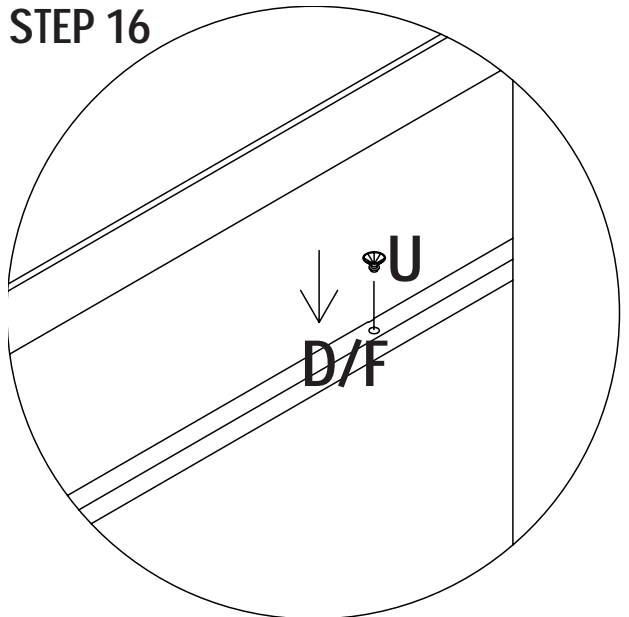
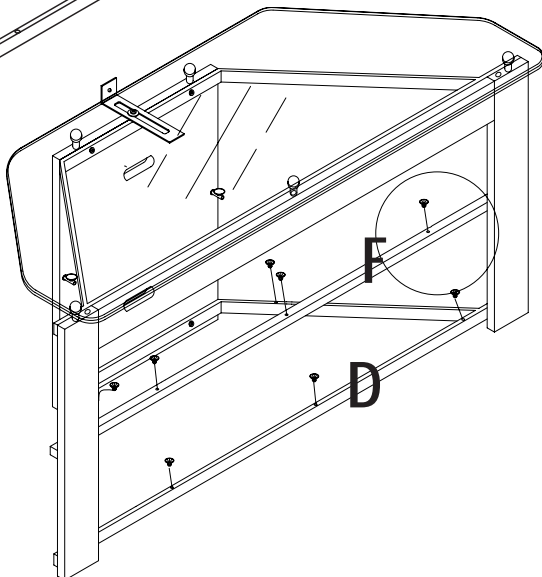
STEP 14



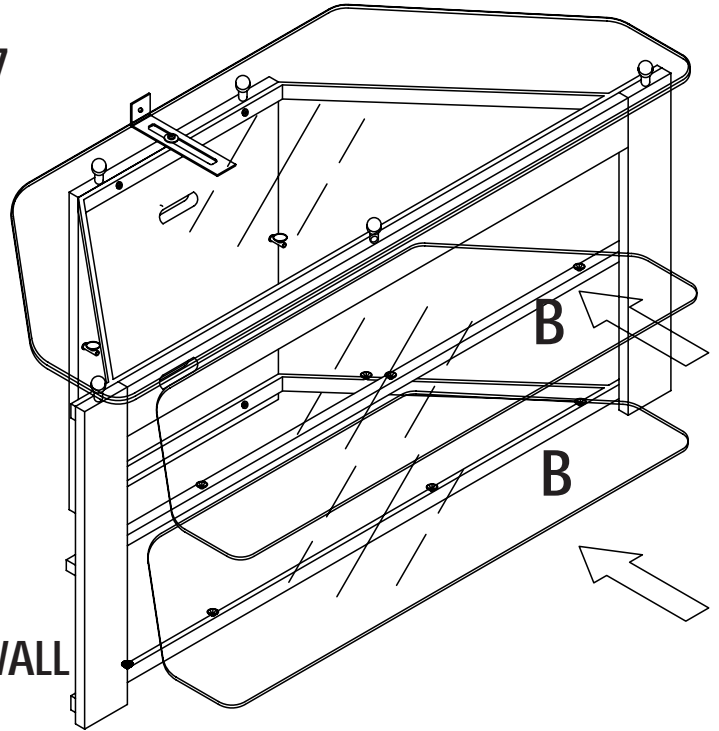
STEP 15



STEP 16

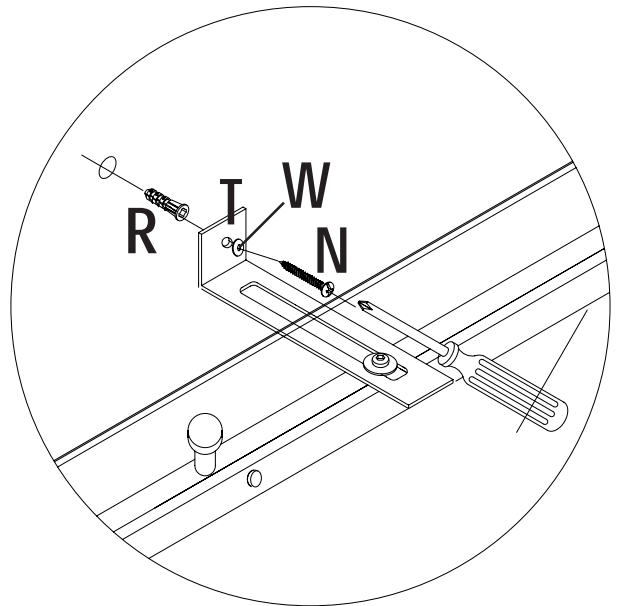
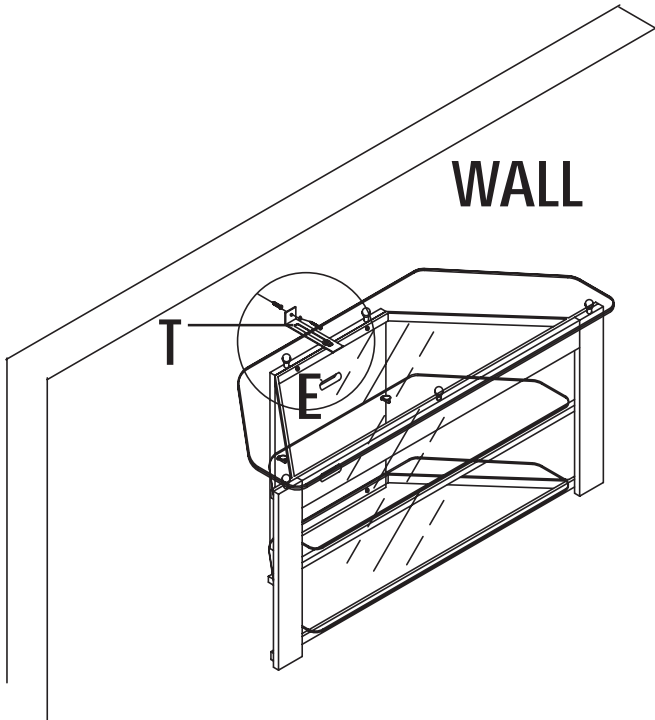


STEP 17



**TO PREVENT TIP OVER,
PRODUCT MUST BE ATTACHED TO WALL**

STEP 18



IF YOU HAVE A PROBLEM, WE WANT TO HAVE THE OPPORTUNITY TO MAKE IT RIGHT!

Should there be any missing or defective part(s),
Fax this form to (310) 841-0842
 or call Customer Service at (800) 622-4456 or (310) 204-2224
 Have your model number and part code letter handy.

MODEL NO. 938-802 *BLACK POLY*
© 2005 Powell
968-802 *SILVER POLY*

Part Letter Description Quantity

Name _____
 Address _____

Daytime Phone () _____
 Reason for replacement _____

Place of purchase _____