



## ASSEMBLY INSTRUCTIONS (SW)

**MODEL NO. 647-693** "ANTIQUE OAK"

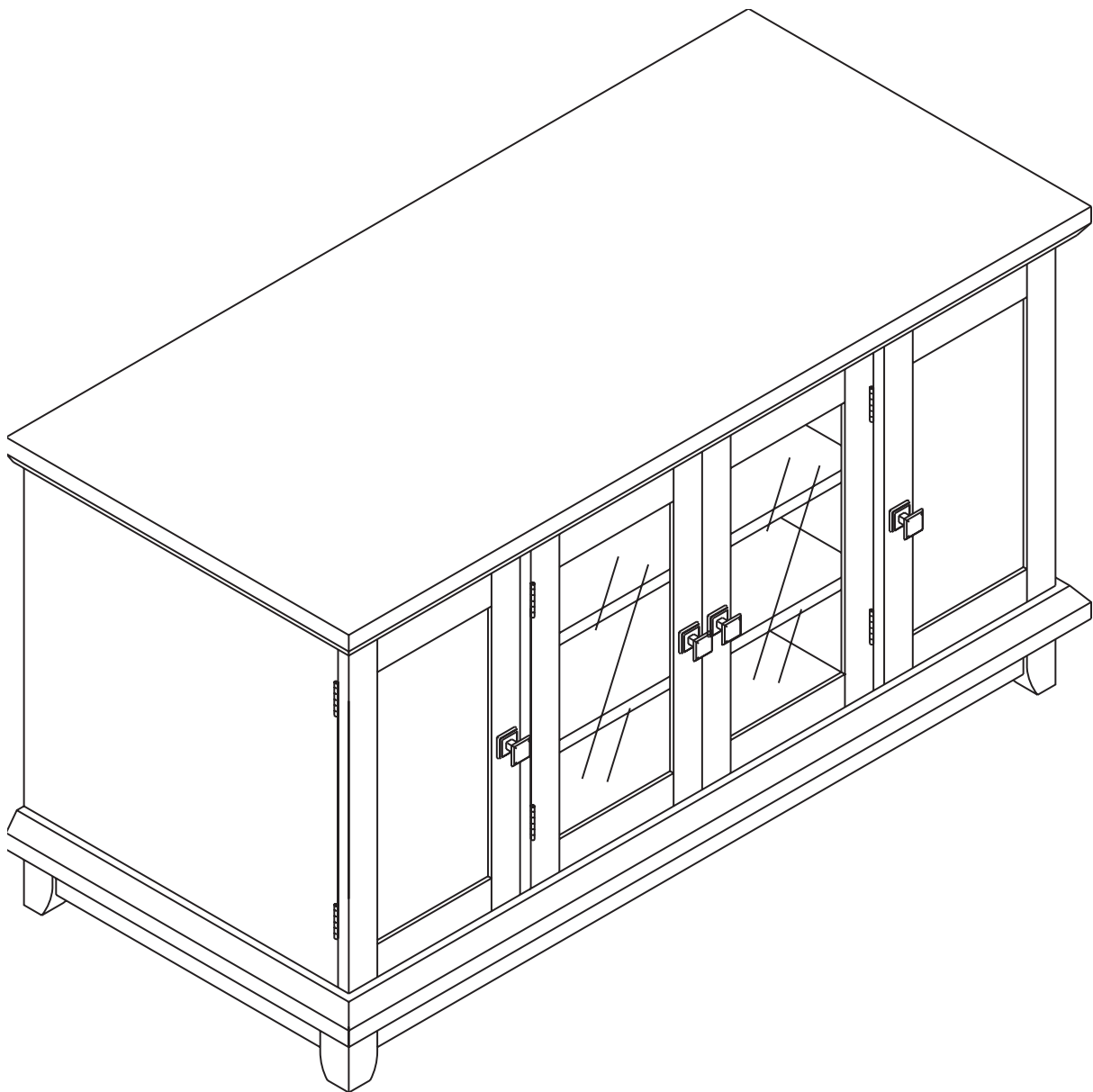
Made in China

**961-693** "ANTIQUE CHERRY"

Thank you for purchasing this quality product. Be sure to check all packing material carefully for small parts which may have come loose inside the carton during shipment. Separate, identify, and count all parts and metal hardware. Compare with parts list and hardware illustrations to be sure all parts are present. If any part(s) are missing or damaged, phone, fax, or mail to our Customer Service Department. For efficient and speedy service, please indicate the model number and code letter of part(s) needed.

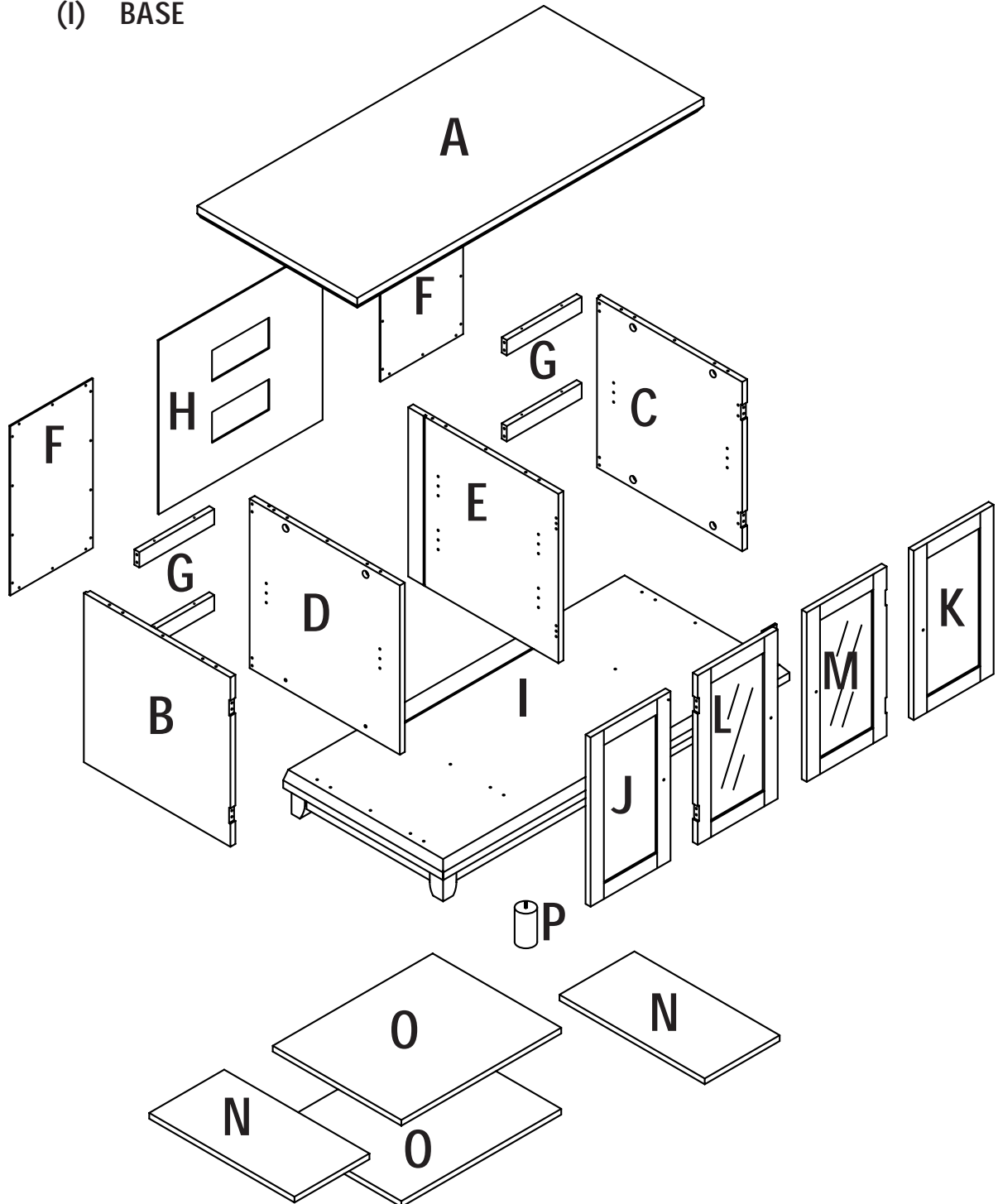
ATTENTION: SOME LETTERED PARTS LISTED ON THE INSTRUCTION SHEET MAY NOT BE IN PARTS BAG AS THEY MAY ALREADY BE ASSEMBLED. CAREFULLY CHECK PARTS AND PACKING MATERIALS PRIOR TO ORDERING REPLACEMENTS.

Tools Required for assembly: Phillips Screwdriver (not included)

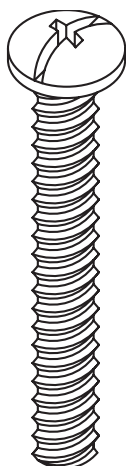


# PARTS

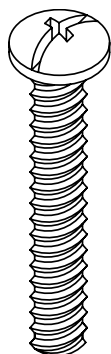
- (A) TOP
- (B) LEFT SIDE PANEL
- (C) RIGHT SIDE PANEL
- (D) LEFT CENTER PANEL
- (E) RIGHT CENTER PANEL
- (F) BACK PANELS (2)
- (G) CROSS BRACES (4)
- (H) BACK CENTER PANEL
- (I) BASE
- (J) LEFT DOOR
- (K) RIGHT DOOR
- (L) LEFT CENTER DOOR
- (M) RIGHT CENTER DOOR
- (N) SMALL SHELVES (2)
- (O) LARGE SHELVES (2)
- (P) SUPPORT FOOT
- (Gg) ADJUSTABLE FEET (3)



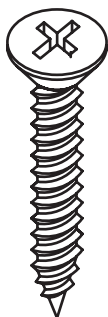
# HARDWARE



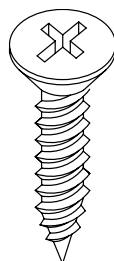
**Q**  
(4 PIECES)



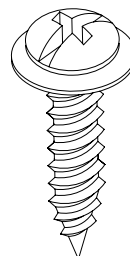
**R**  
(4 PIECES)



**S**  
(8 PIECES)



**T**  
(64 PIECES)



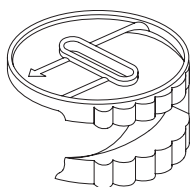
**U**  
(28 PIECES)



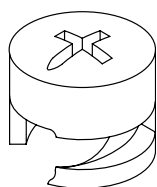
**V**  
(32 PIECES)



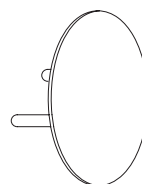
**W**  
(20 PIECES)



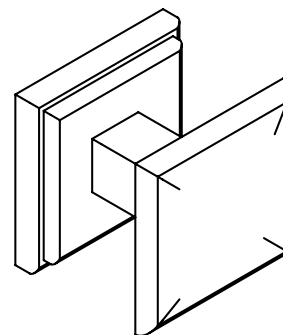
**X**  
(12 PIECES)



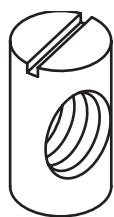
**Y**  
(8 PIECES)



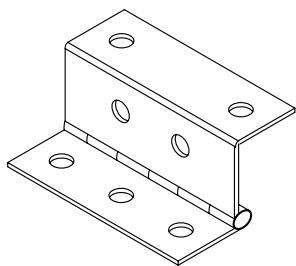
**Z**  
(12 PIECES)



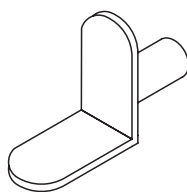
**Aa**  
(4 PIECES)



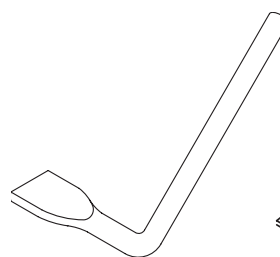
**Bb**  
(4 PIECES)



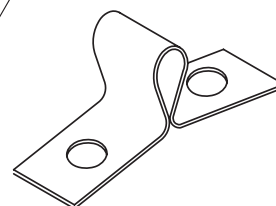
**Cc**  
(8 PIECES)



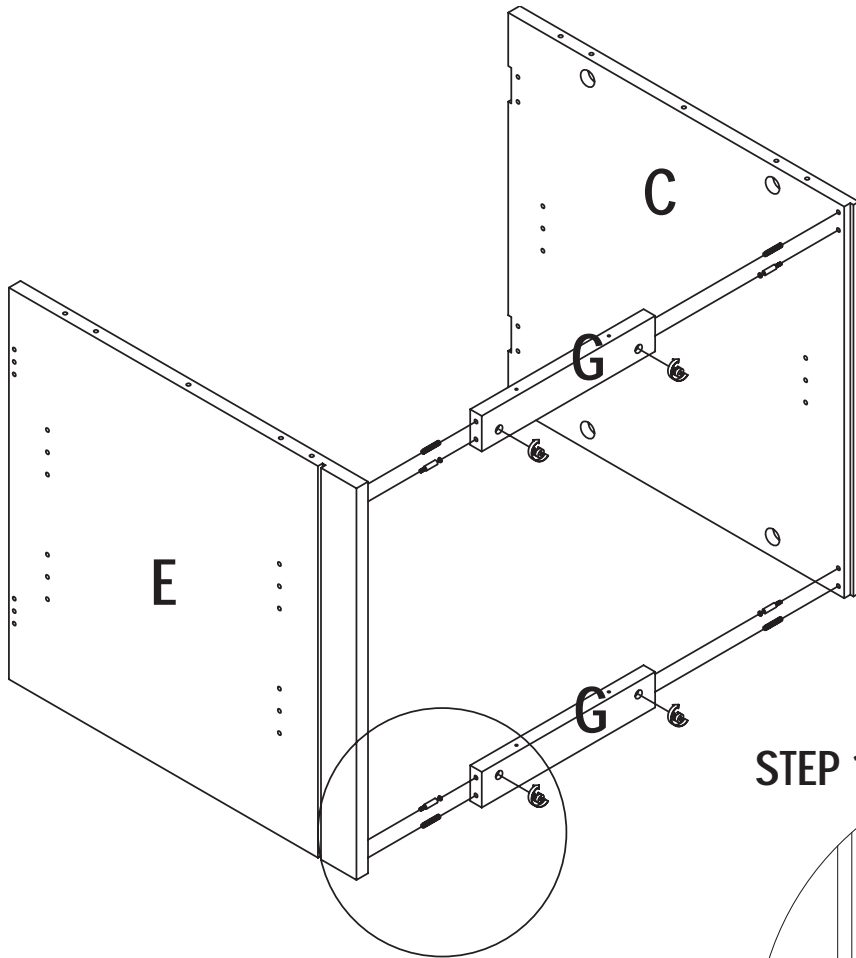
**Dd**  
(16 PIECES)



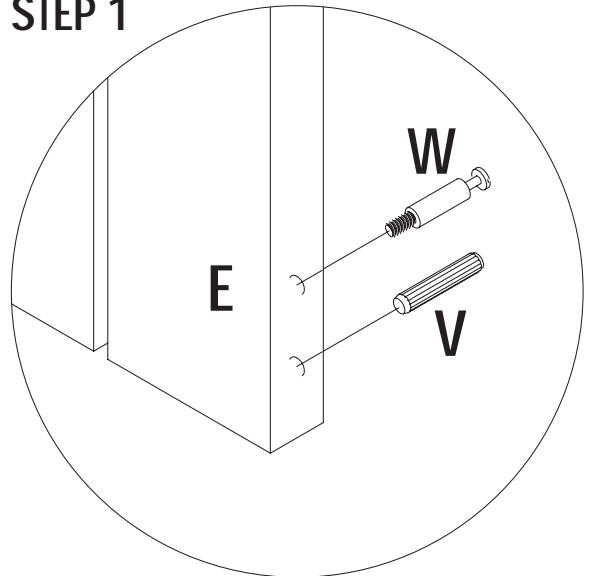
**Ee**  
(1 PIECE)



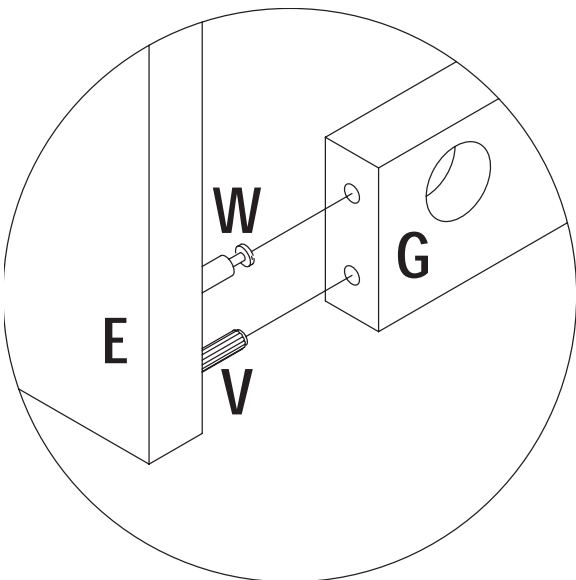
**Ff**  
(4 PIECES)



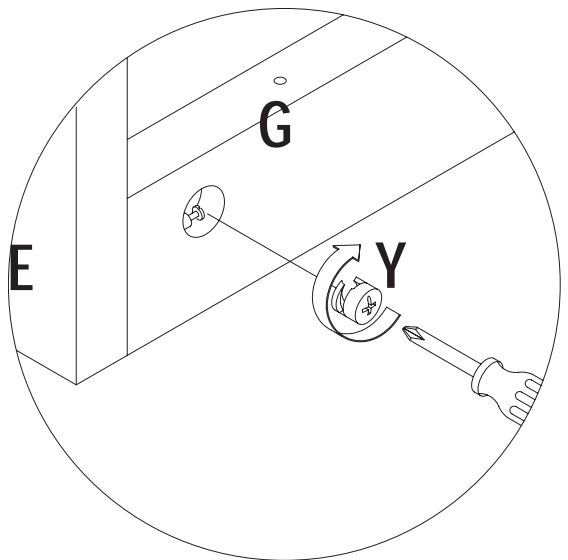
STEP 1

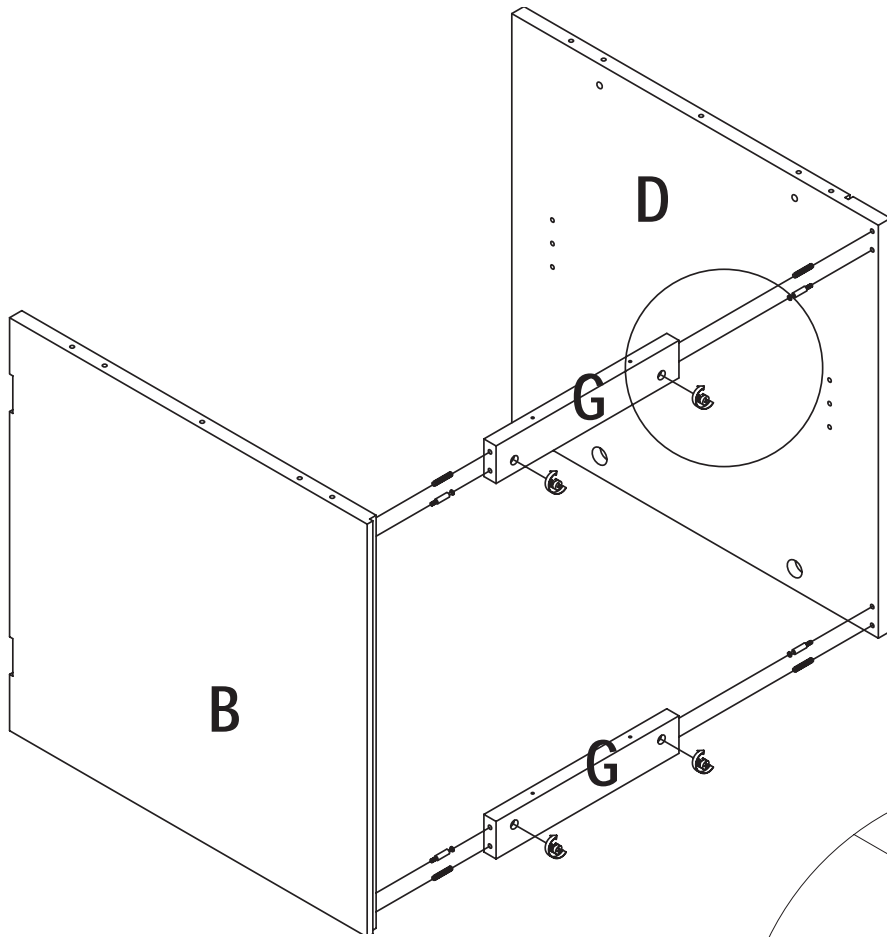


STEP 2

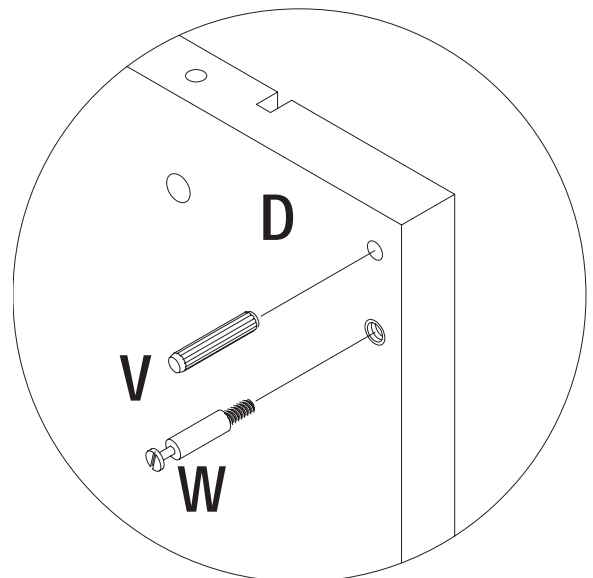


STEP 3



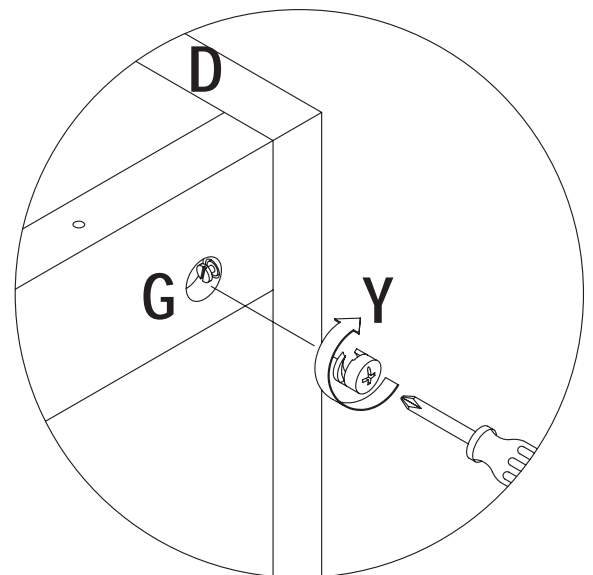
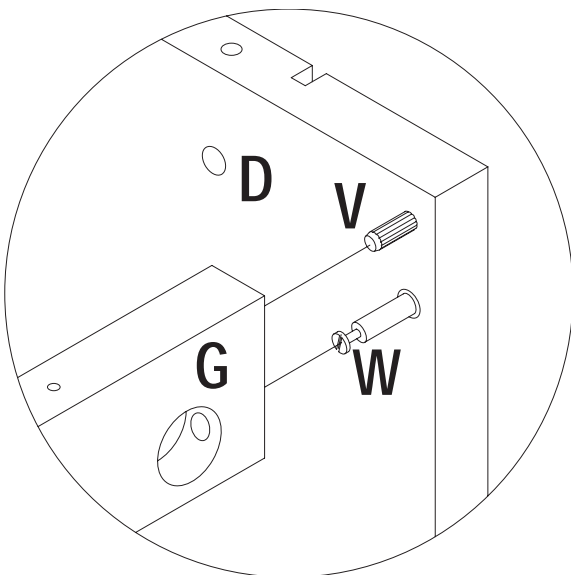


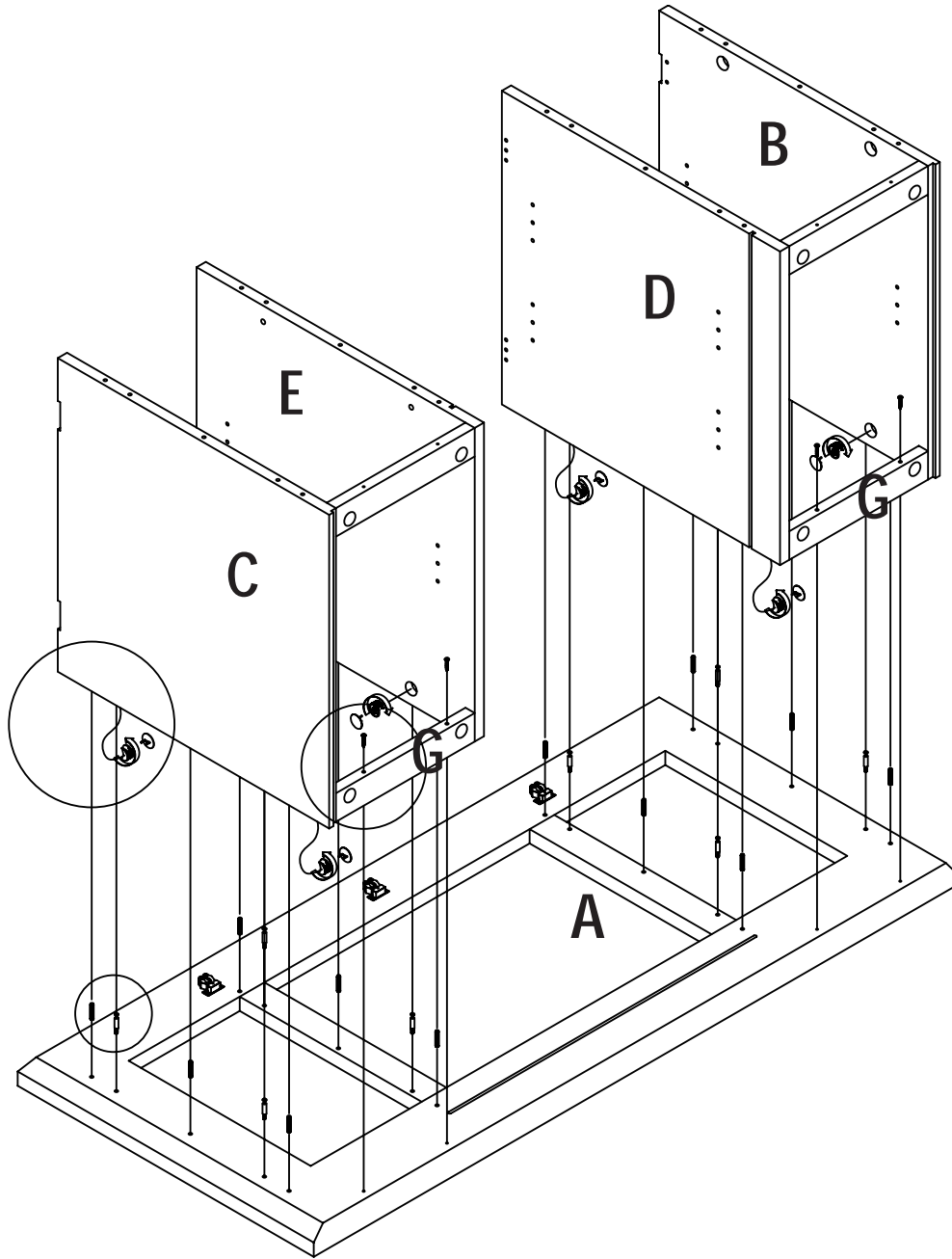
**STEP 4**



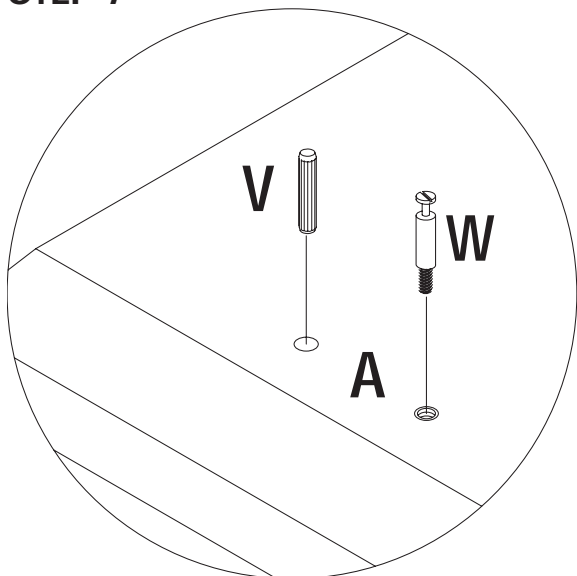
**STEP 6**

**STEP 5**

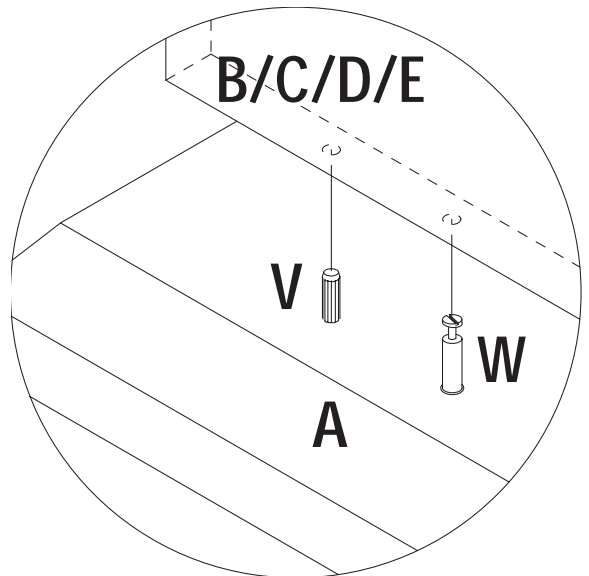




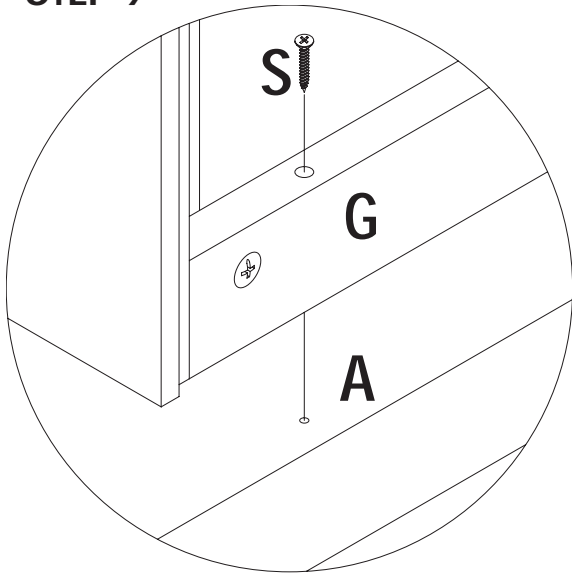
**STEP 7**



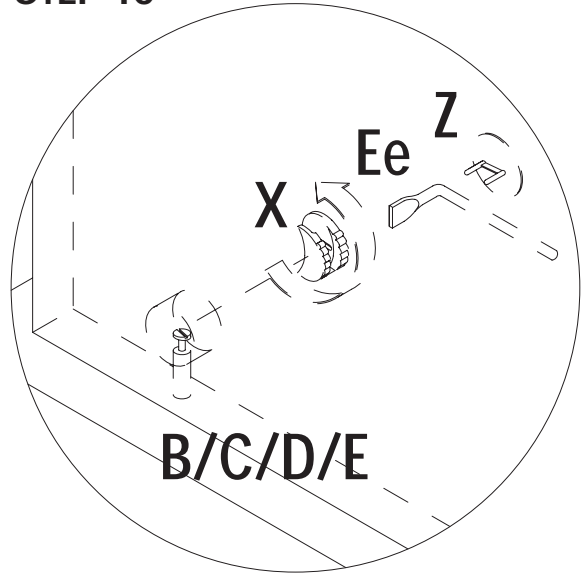
**STEP 8**



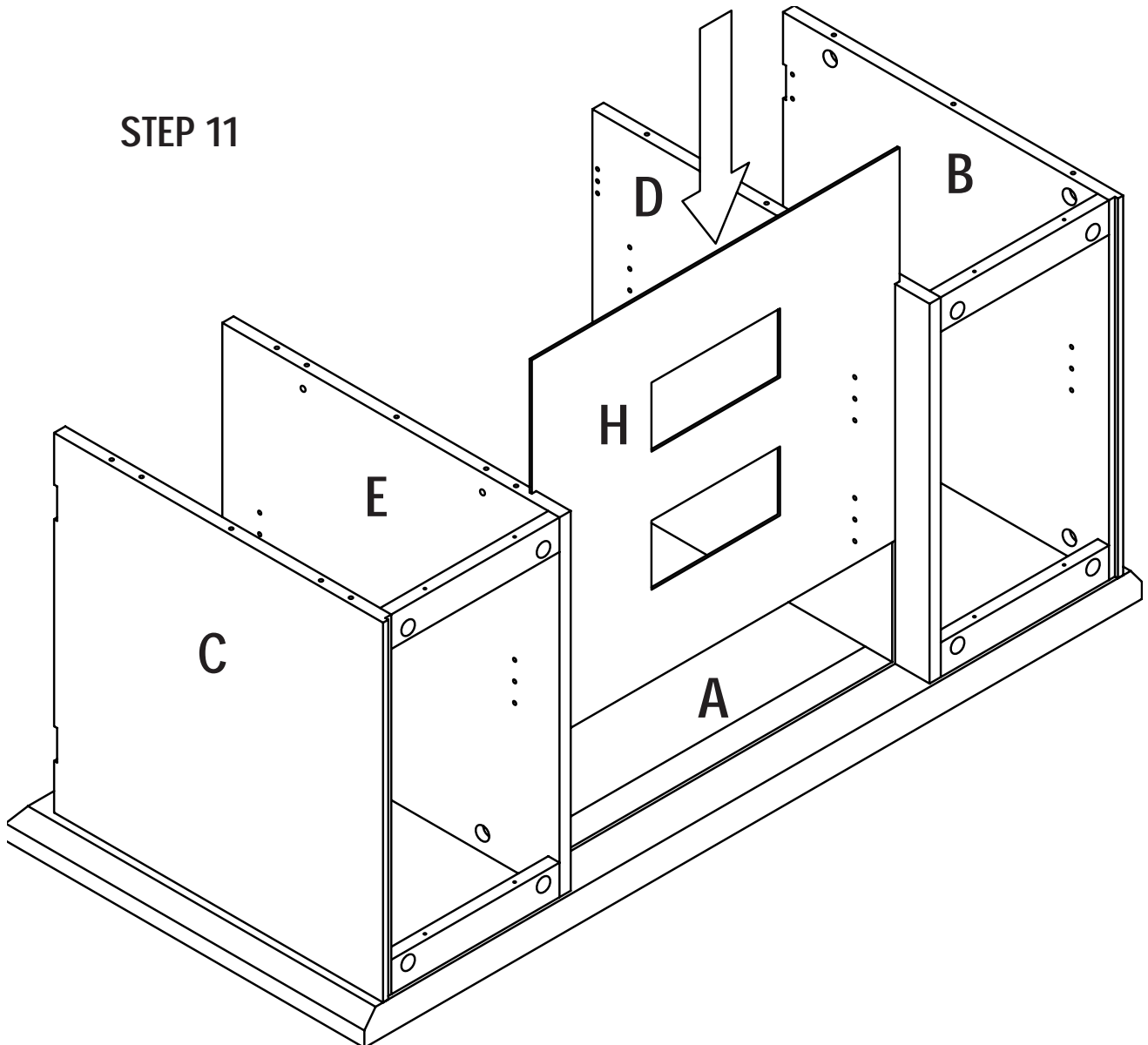
STEP 9



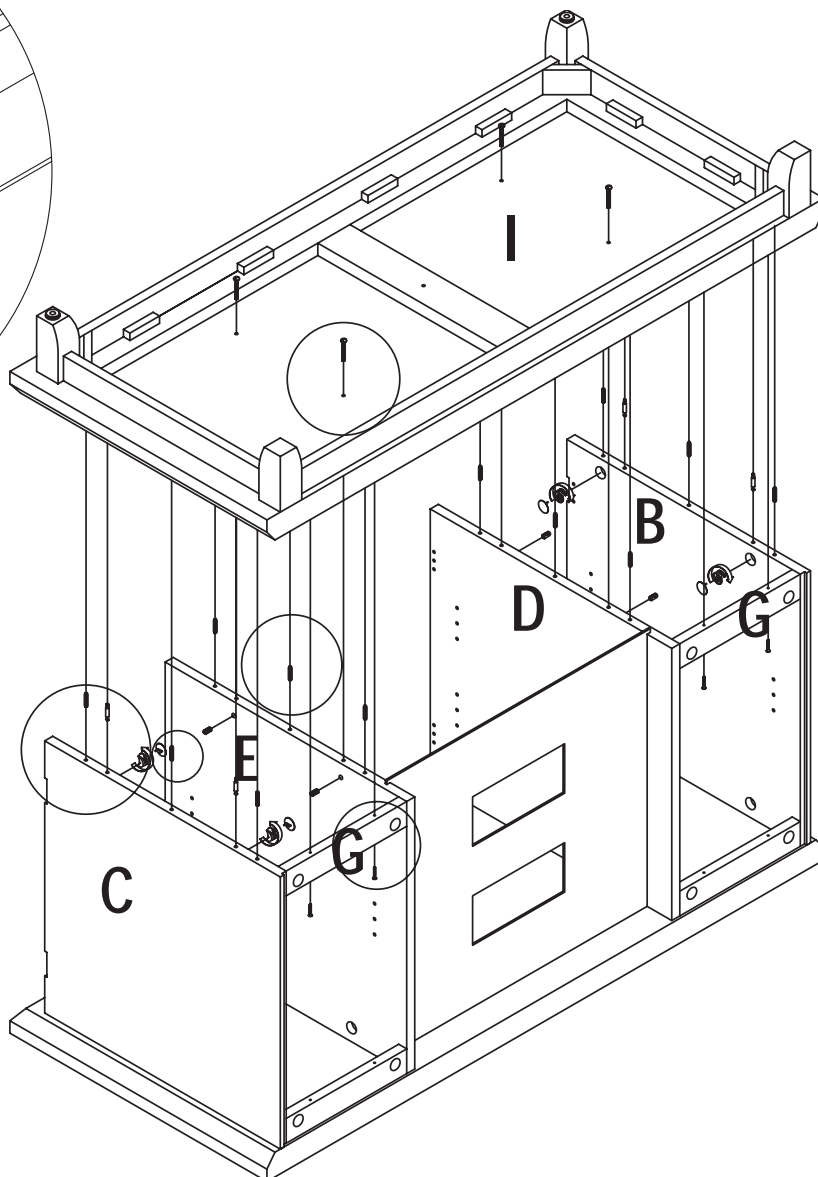
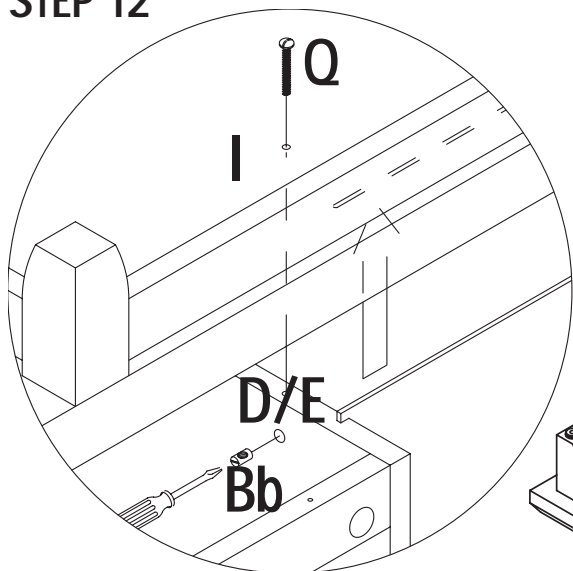
STEP 10



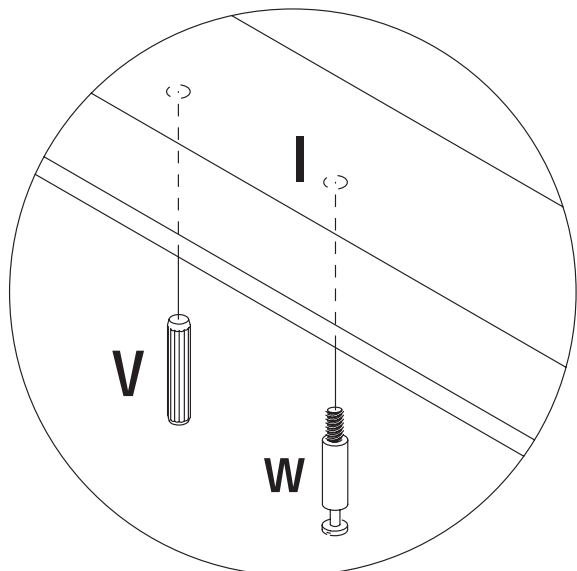
STEP 11



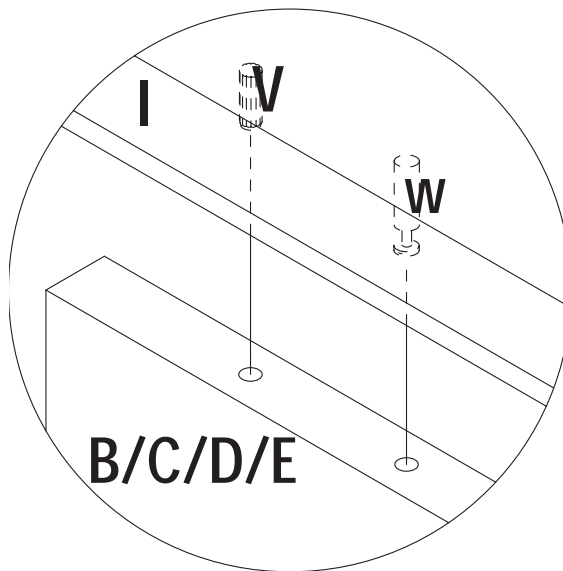
**STEP 12**



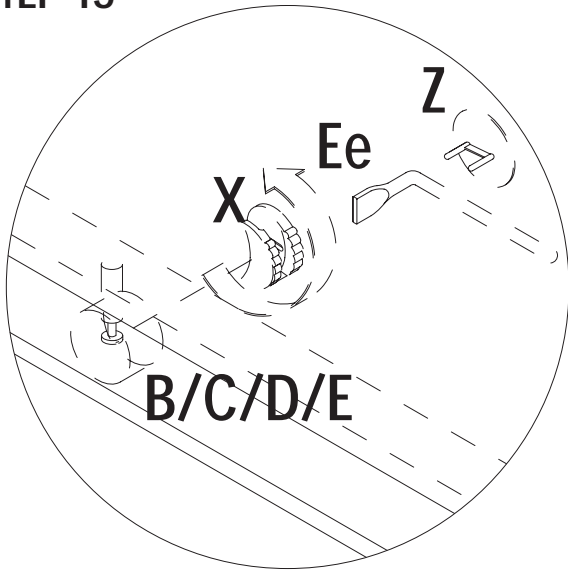
**STEP 13**



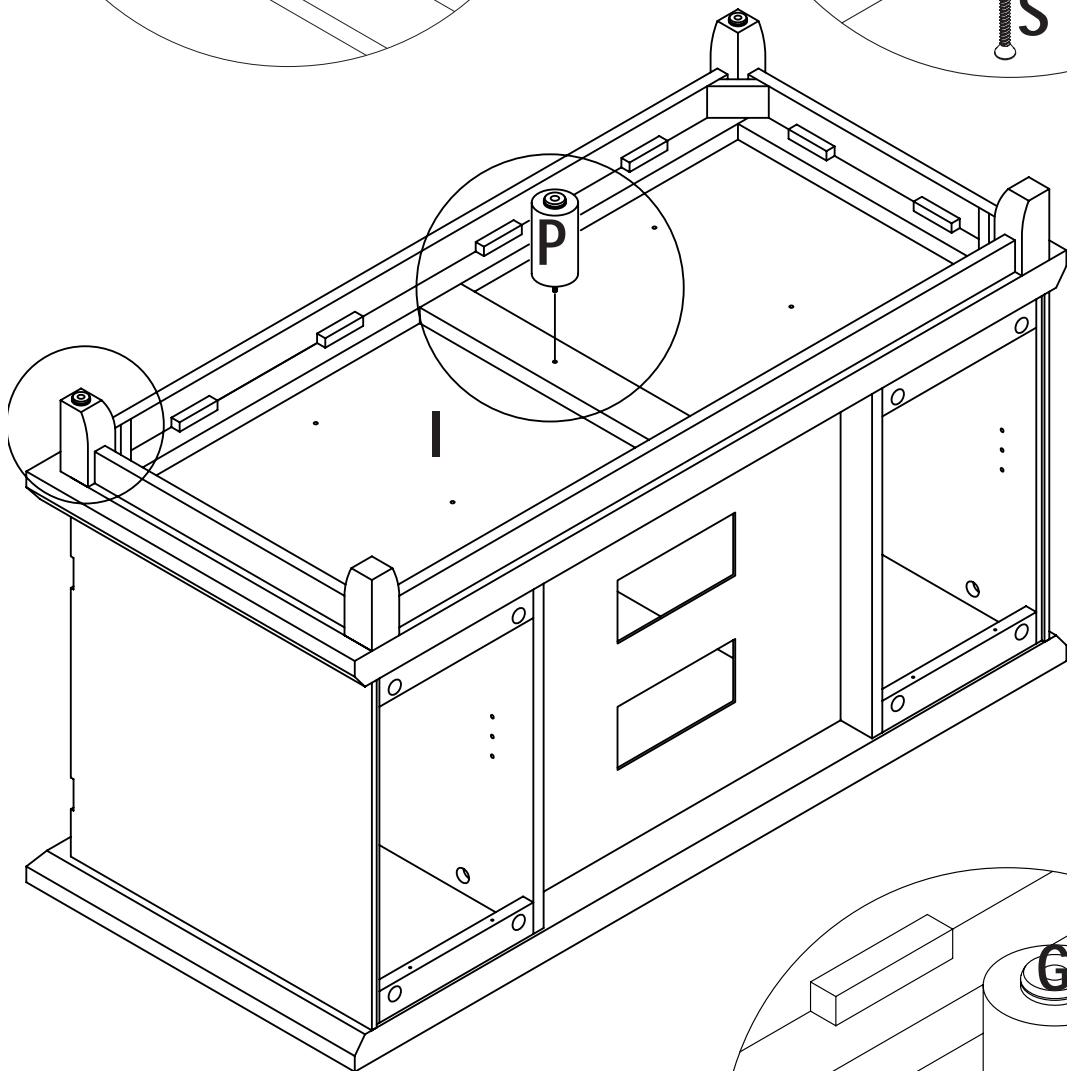
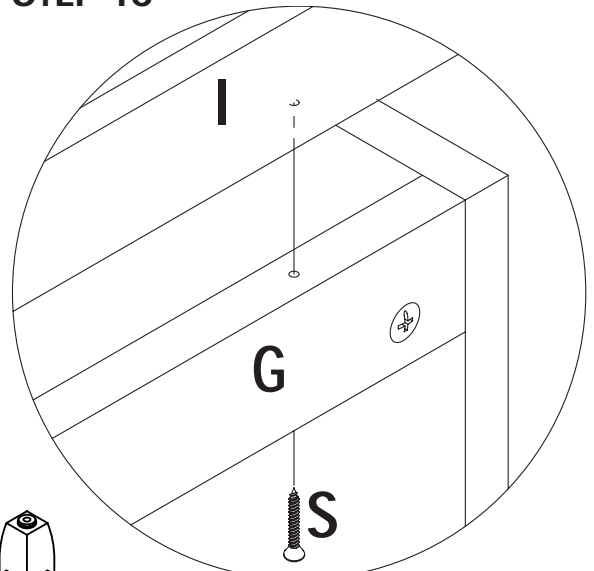
**STEP 14**



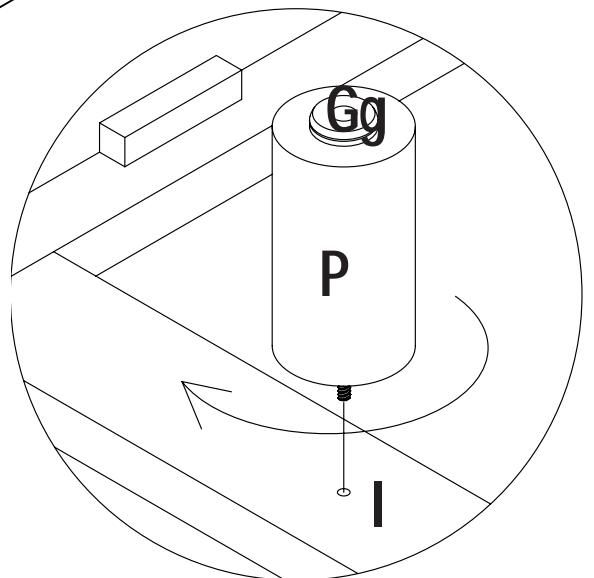
STEP 15



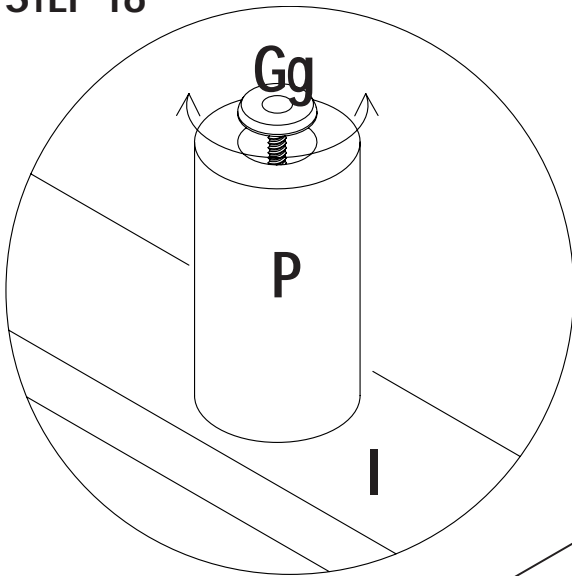
STEP 16



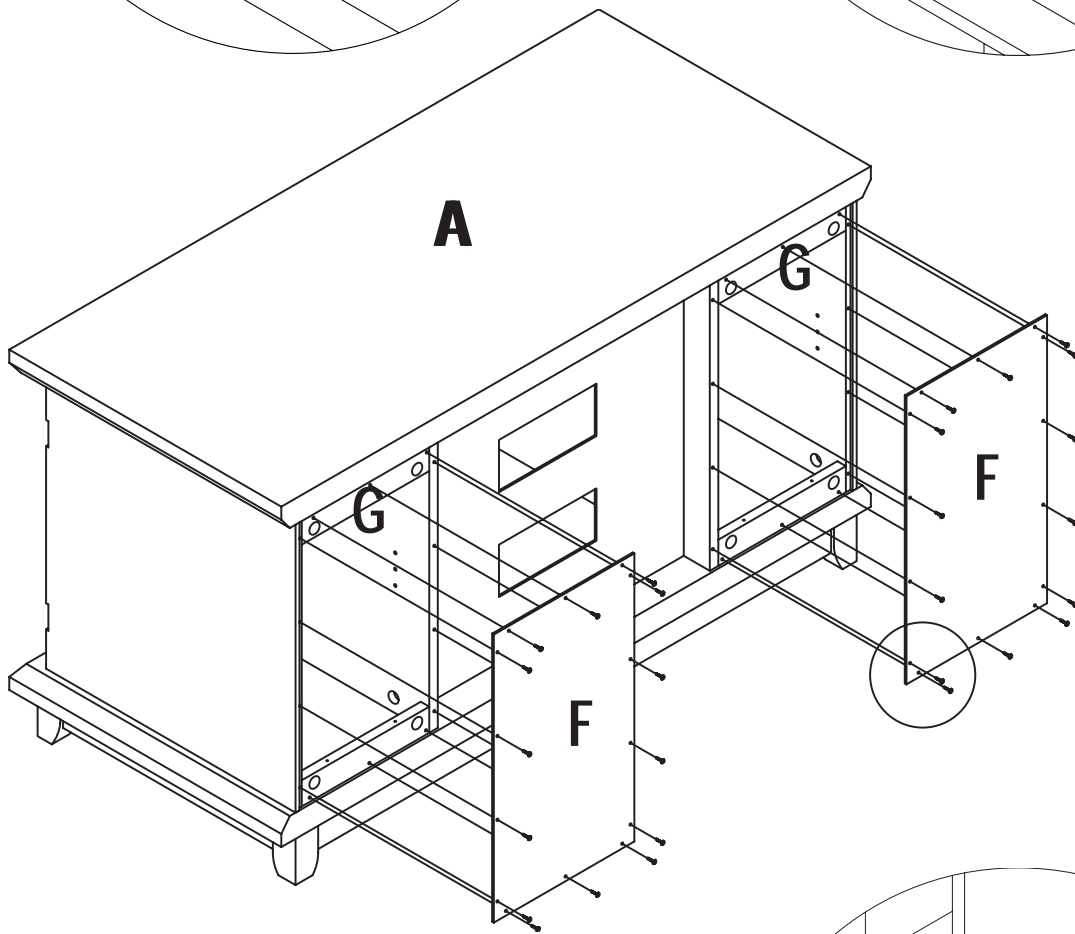
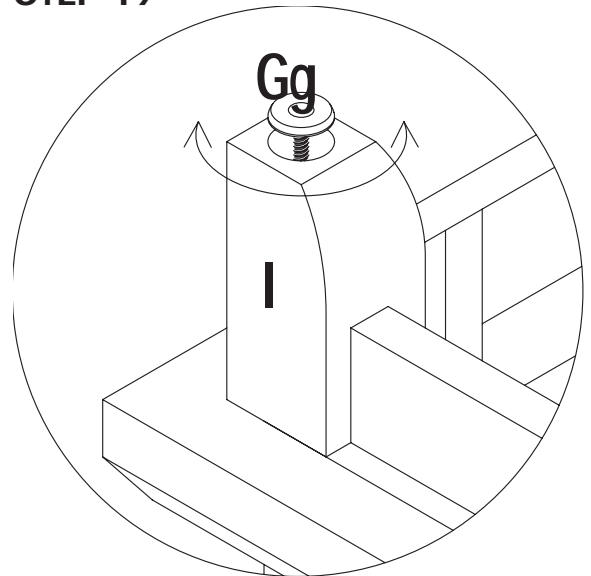
STEP 17



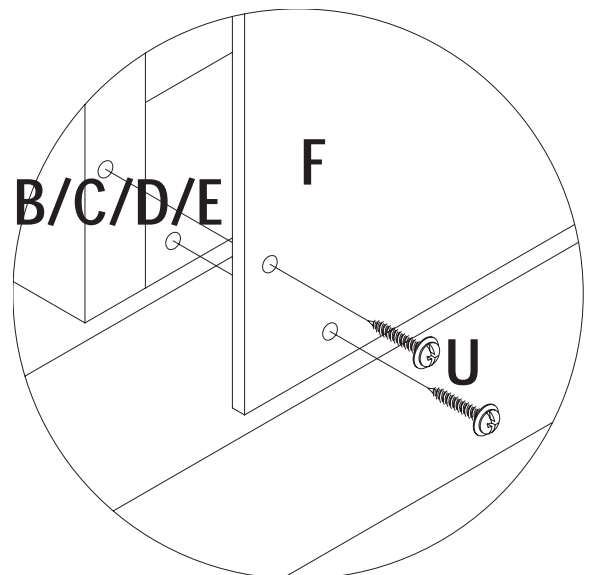
STEP 18



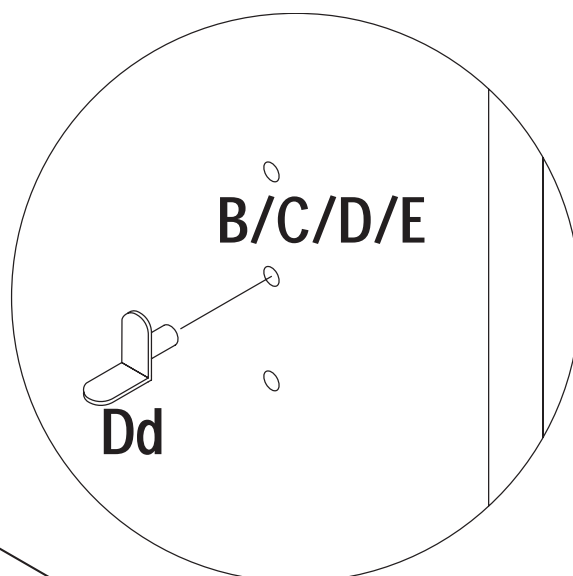
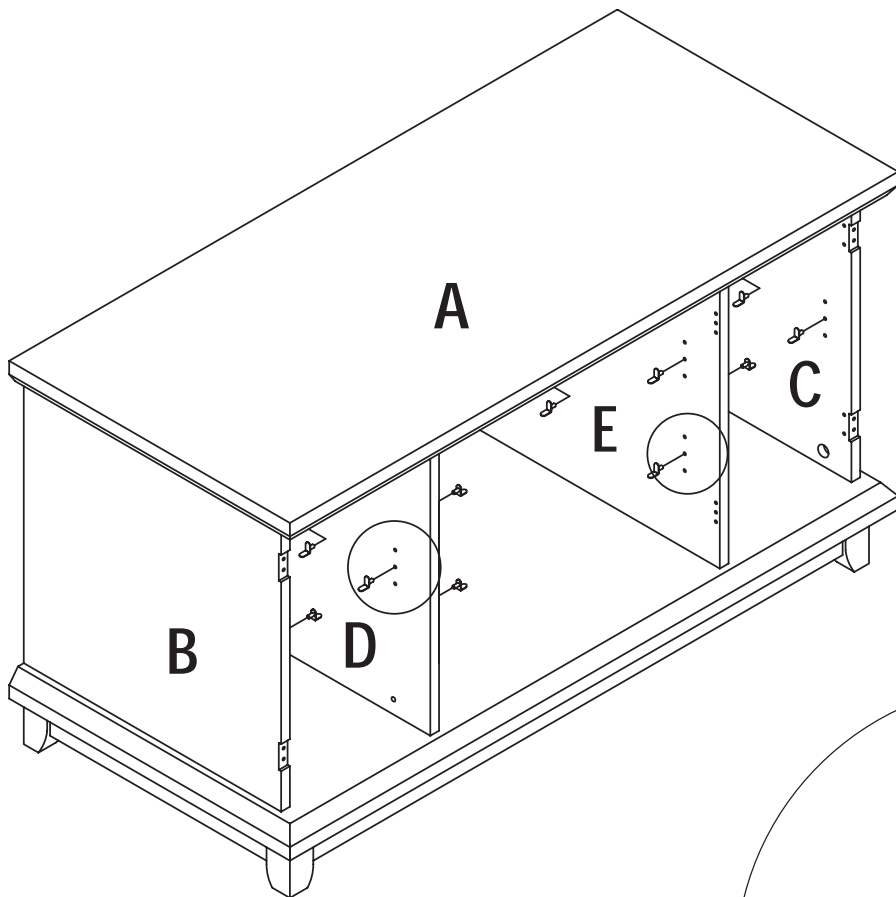
STEP 19



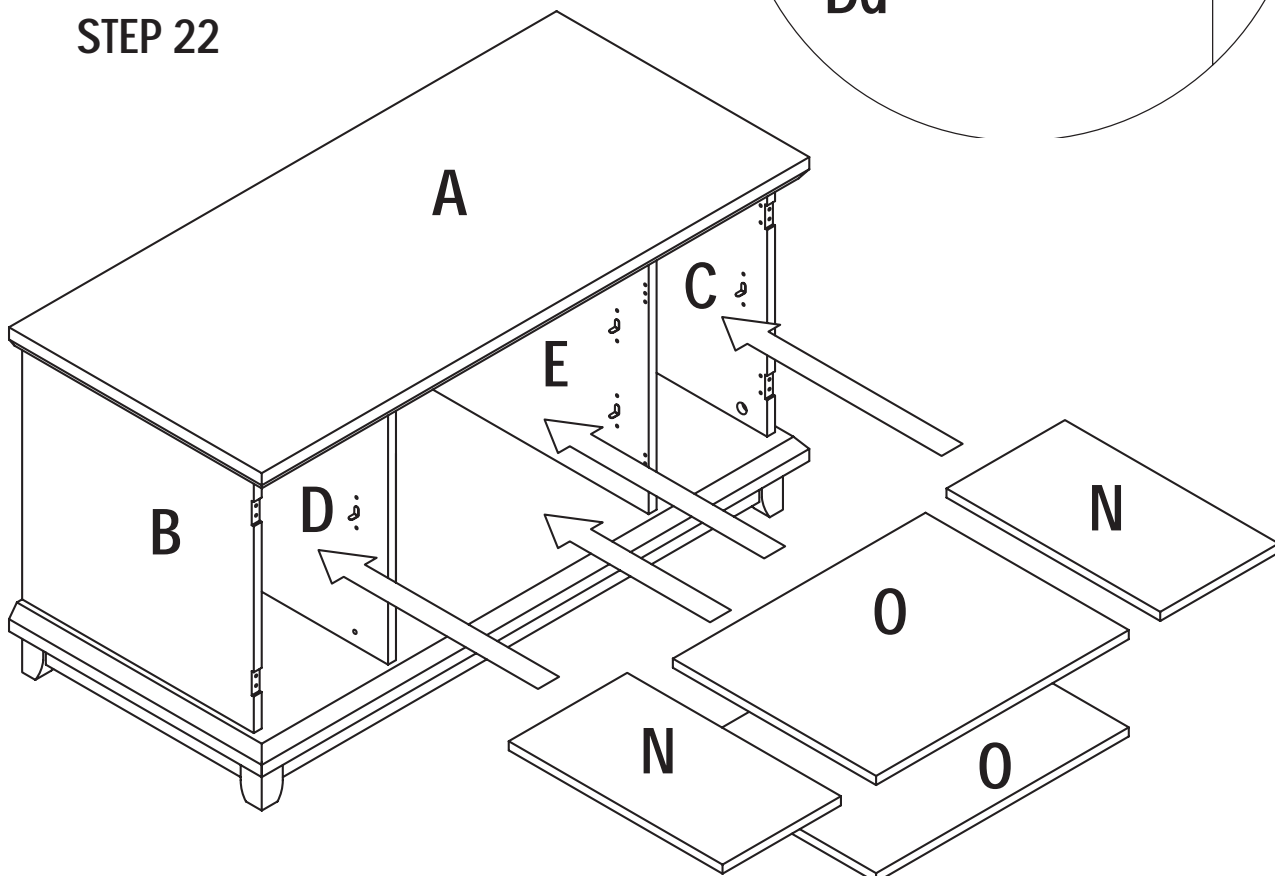
STEP 20

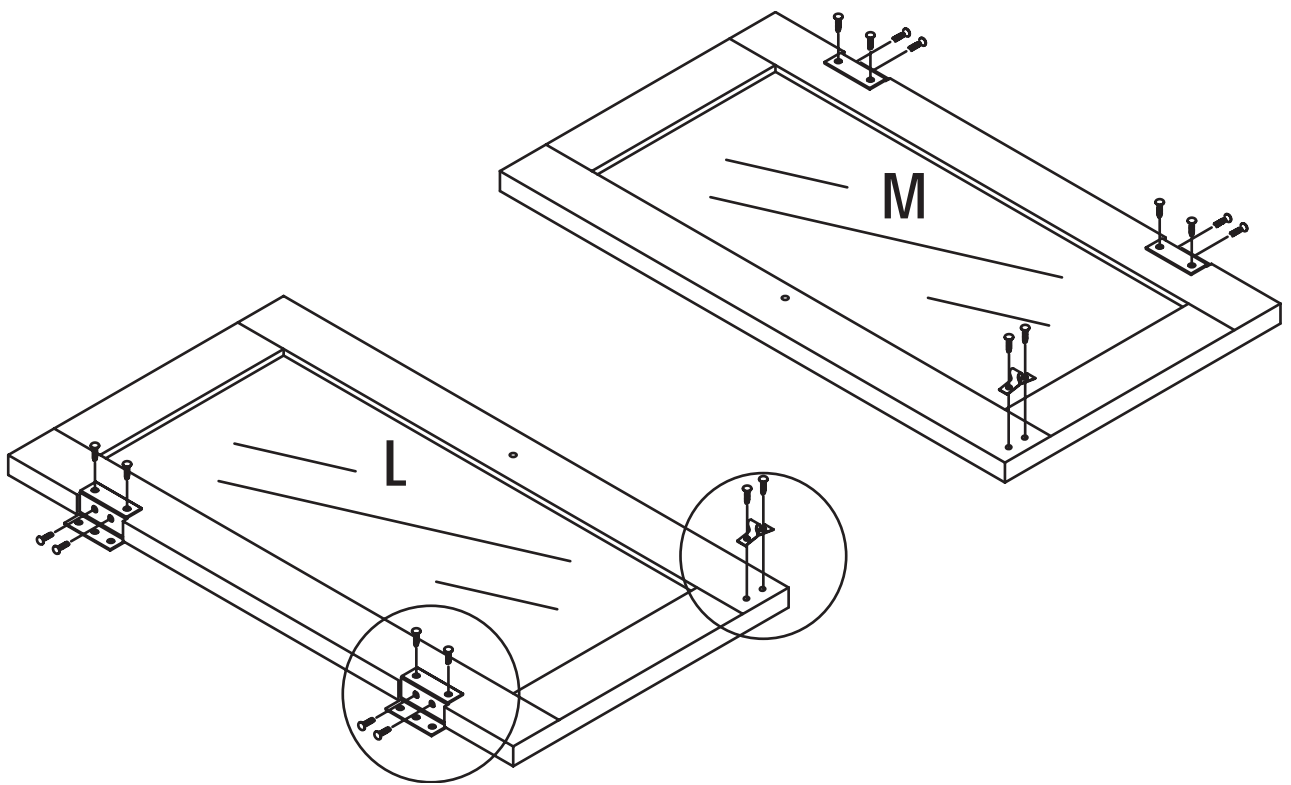


STEP 21

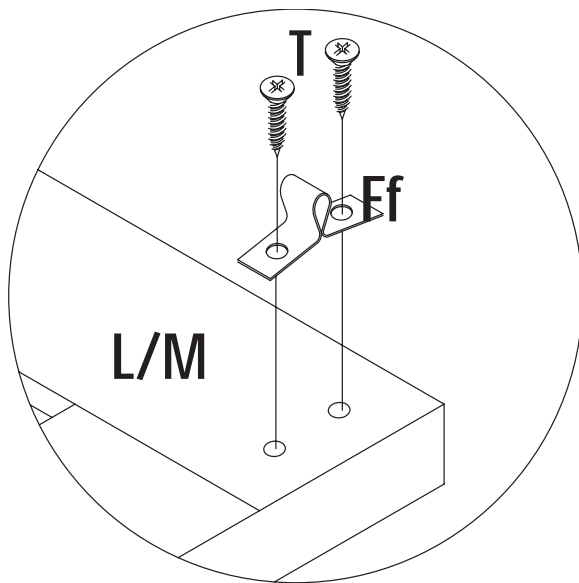


STEP 22

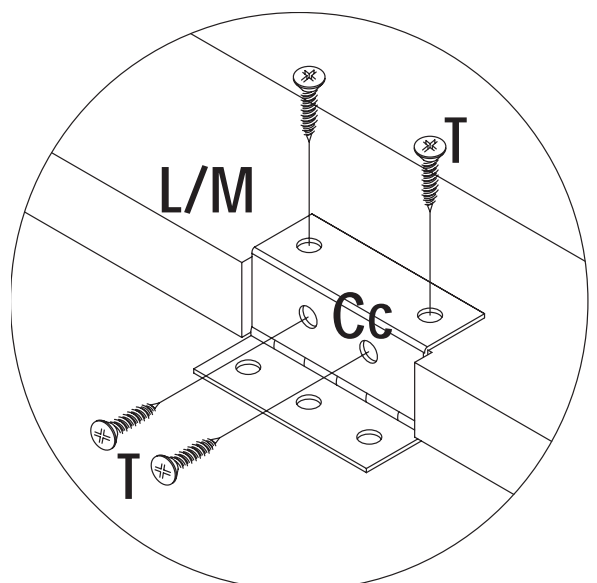


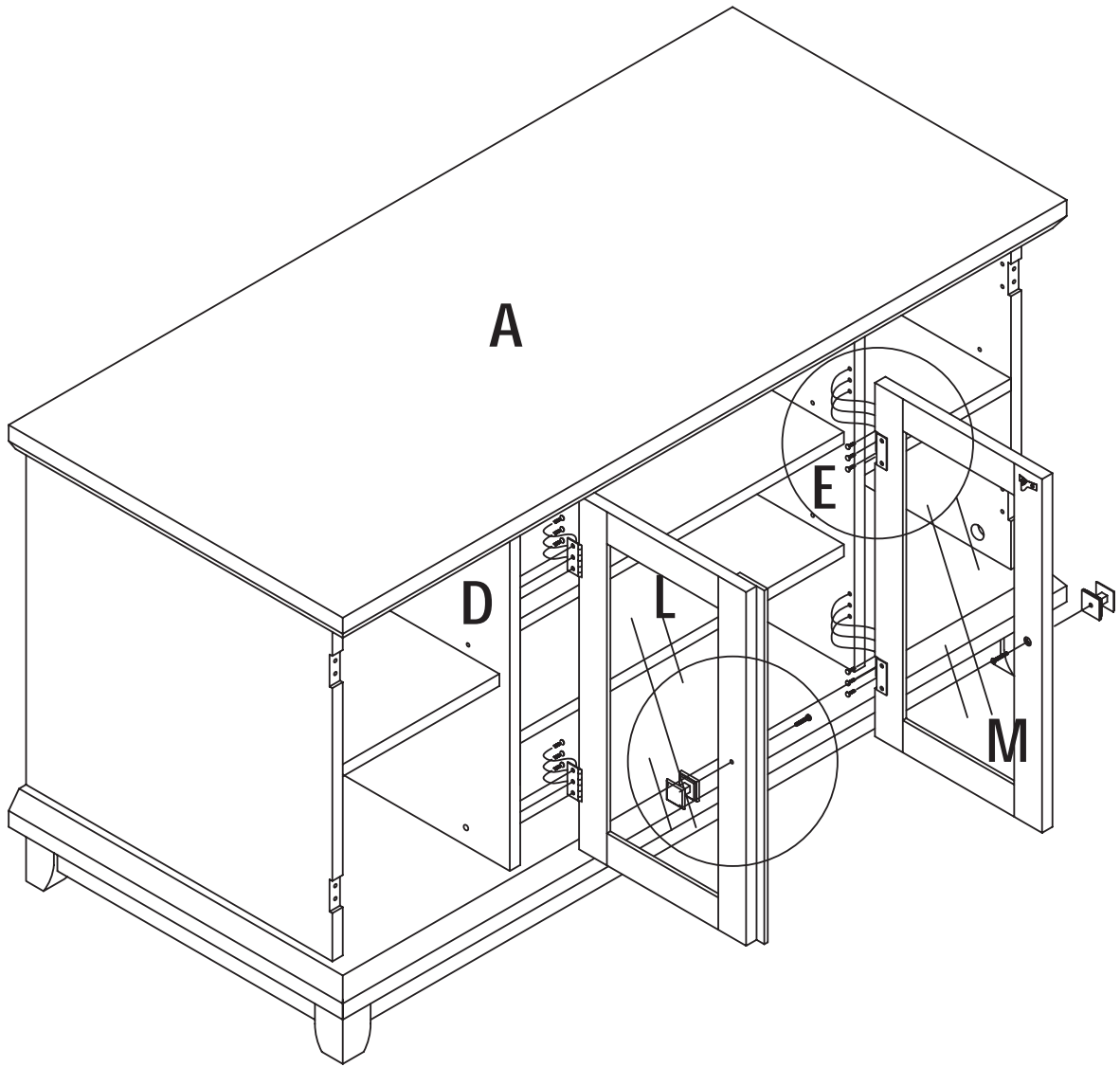


STEP 23

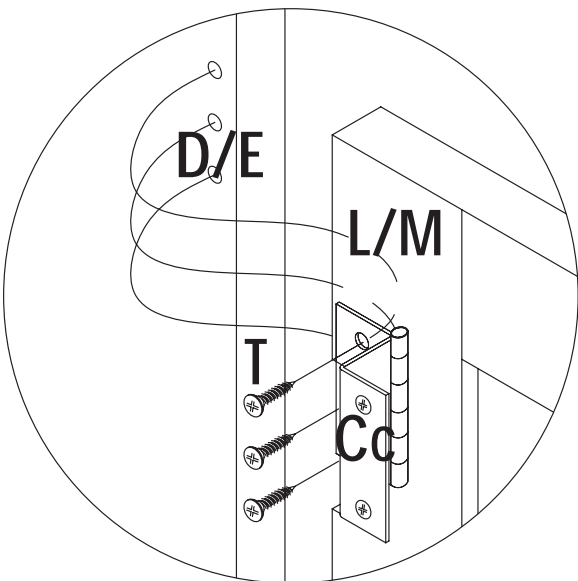


STEP 24

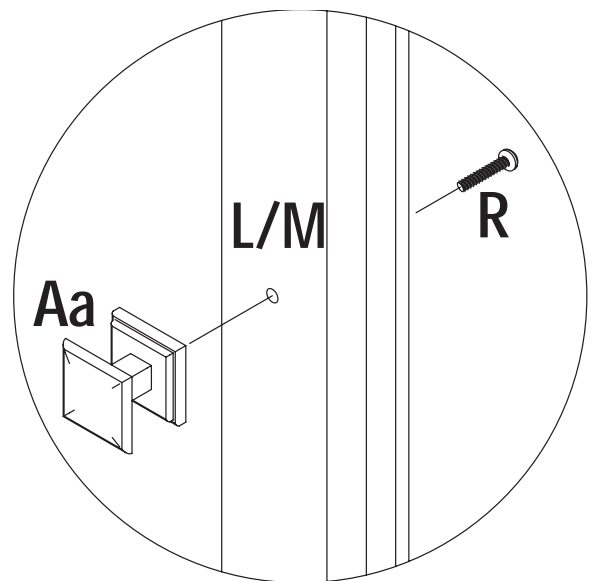




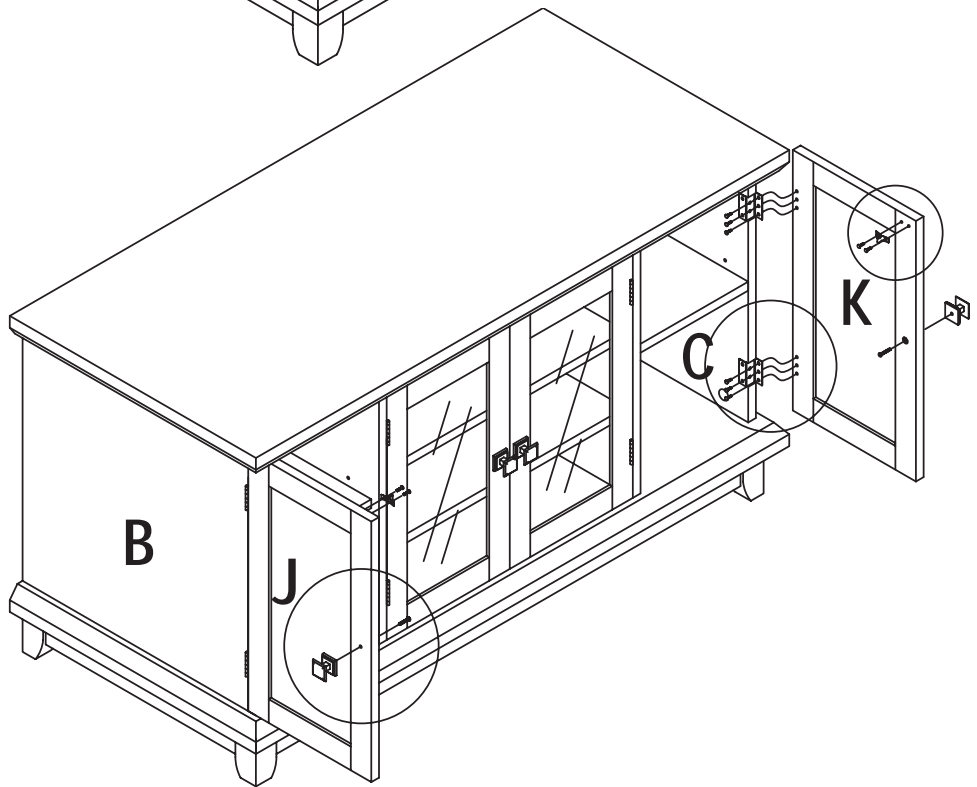
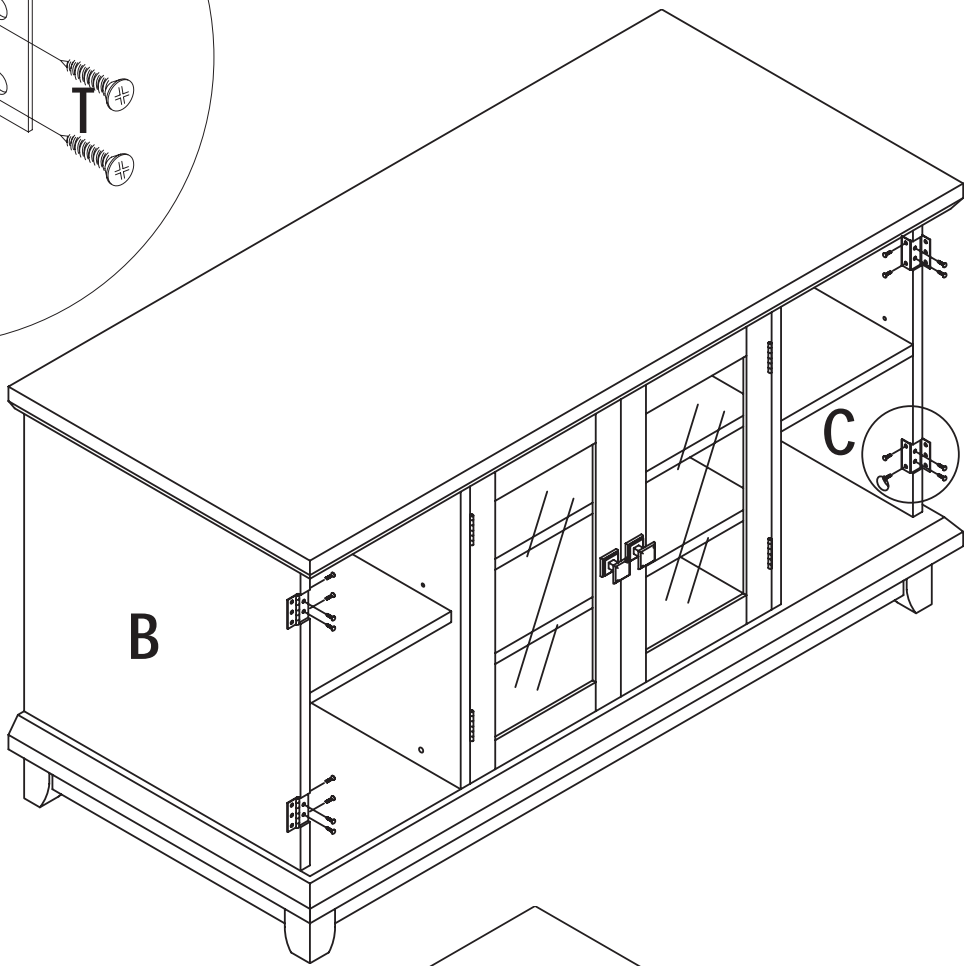
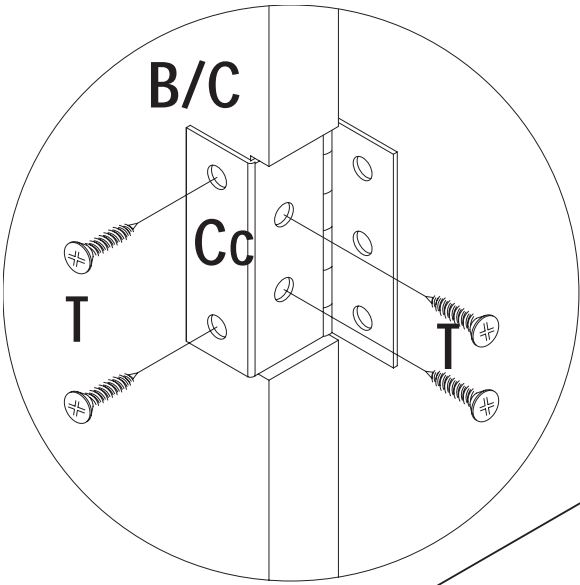
STEP 25



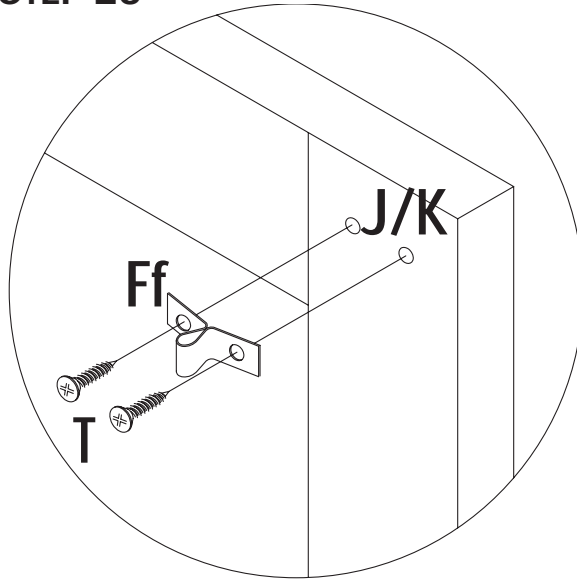
STEP 26



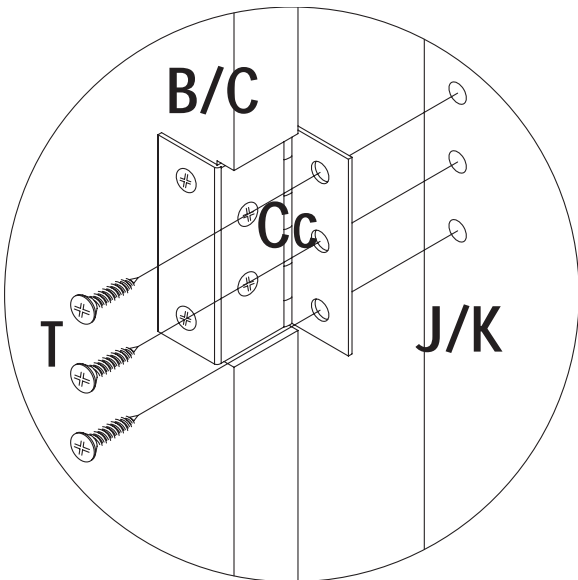
STEP 27



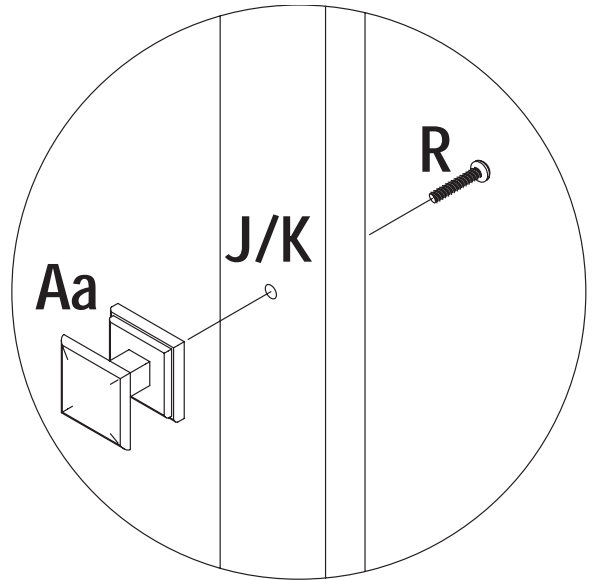
**STEP 28**



**STEP 29**



**STEP 30**



**IF YOU HAVE A PROBLEM, WE WANT TO HAVE THE OPPORTUNITY TO MAKE IT RIGHT!**

Should there be any missing or defective part(s),  
**Fax this form to (310) 841-0842**  
 or call Customer Service at (800) 622-4456 or (310) 204-2224  
 Have your model number and part code letter handy.

**MODEL NO. 647-693 "ANTIQUE OAK"**  
**961-693 "ANTIQUE CHERRY"**  
© 2005 Powell

Part Letter	Description	Quantity

Name \_\_\_\_\_  
 Address \_\_\_\_\_  
 \_\_\_\_\_  
 Daytime Phone ( ) \_\_\_\_\_  
 Reason for replacement \_\_\_\_\_  
 \_\_\_\_\_  
 Place of purchase \_\_\_\_\_