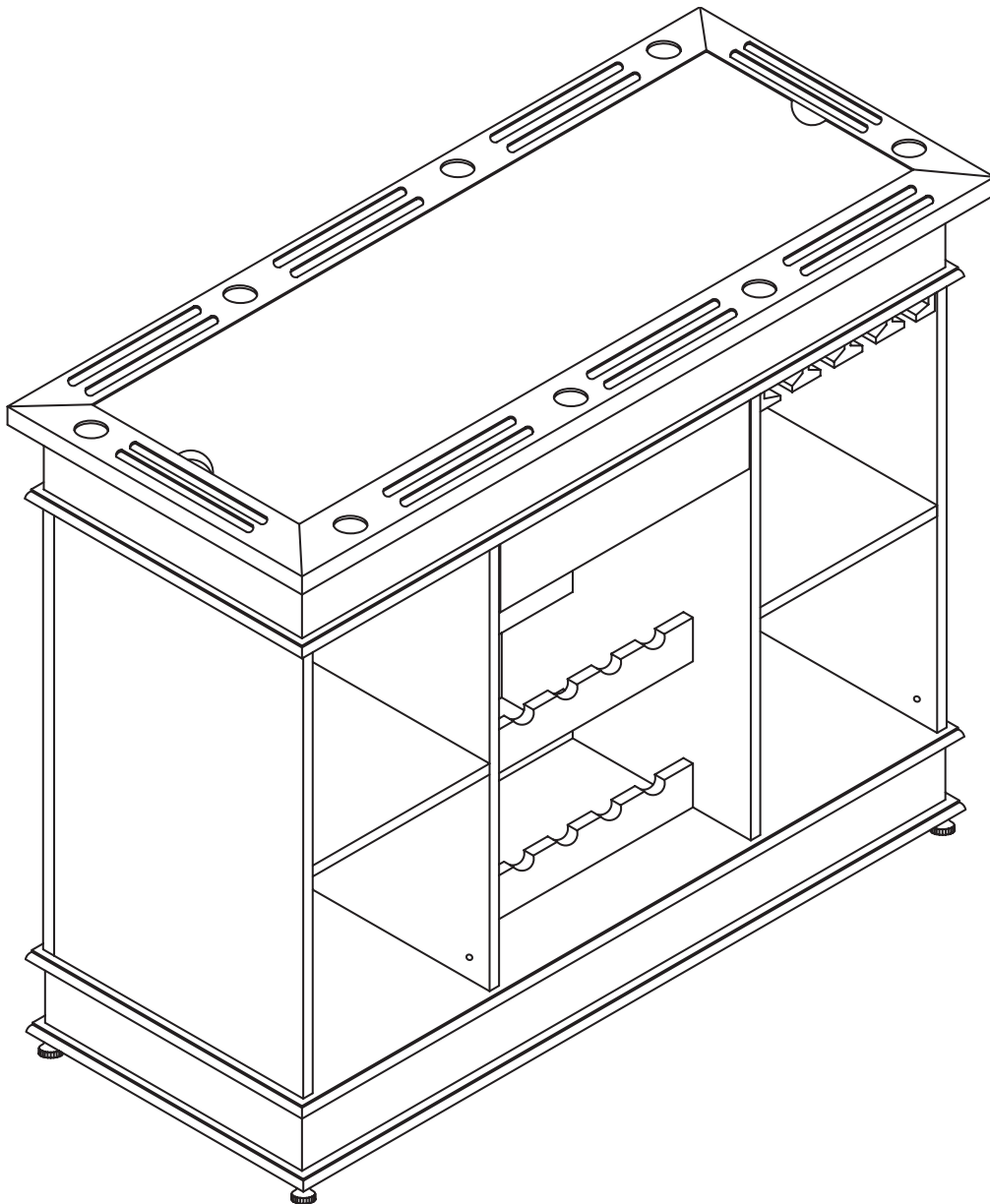


Thank you for purchasing this quality product. Be sure to check all packing material carefully for small parts which may have come loose inside the carton during shipment. Separate, identify, and count all parts and metal hardware. Compare with parts list and hardware illustrations to be sure all parts are present. If any part(s) are missing or damaged, phone, fax, or mail to our Customer Service Department. For efficient and speedy service, please indicate the model number and code letter of part(s) needed.

ATTENTION: SOME LETTERED PARTS LISTED ON THE INSTRUCTION SHEET MAY NOT BE IN PARTS BAG AS THEY MAY ALREADY BE ASSEMBLED. CAREFULLY CHECK PARTS AND PACKING MATERIALS PRIOR TO ORDERING REPLACEMENTS.

Tools Required for assembly: Phillips Screwdriver (not included)

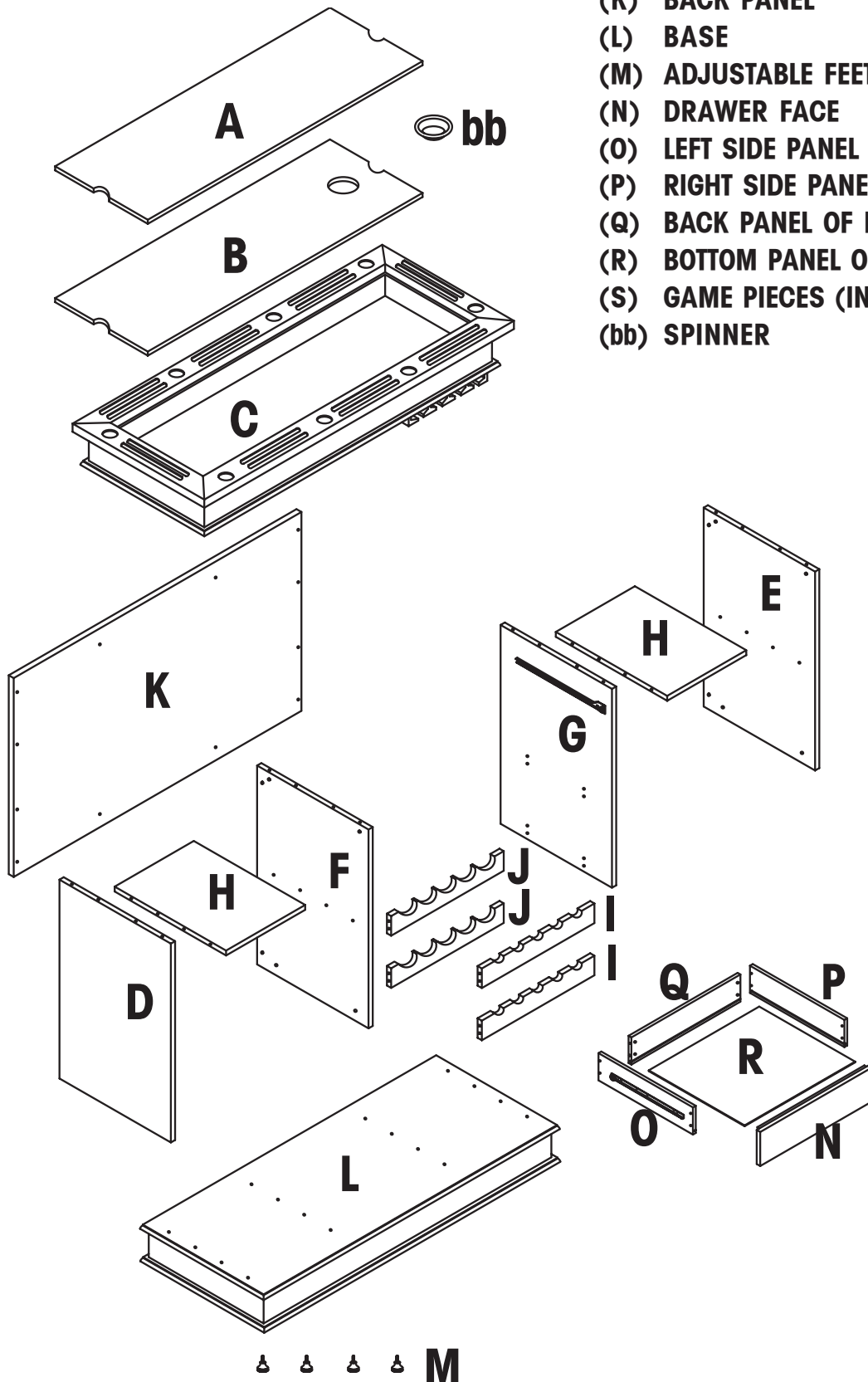
**WARNING:** CHOKING HAZARD-SMALL PARTS  
NOT FOR CHILDREN UNDER THREE YEARS OF AGE



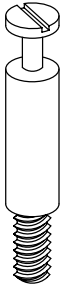
# PARTS

- (A) UPPER GAME BOARD
- (B) LOWER GAME BOARD
- (C) TOP STORAGE
- (D) LEFT SIDE PANEL
- (E) RIGHT SIDE PANEL

- (F) LEFT CENTER PANEL
- (G) RIGHT CENTER PANEL
- (H) SHELVES (2)
- (I) FRONT SUPPORTS (2)
- (J) REAR SUPPORTS (2)
- (K) BACK PANEL
- (L) BASE
- (M) ADJUSTABLE FEET (4)
- (N) DRAWER FACE
- (O) LEFT SIDE PANEL OF DRAWER
- (P) RIGHT SIDE PANEL OF DRAWER
- (Q) BACK PANEL OF DRAWER
- (R) BOTTOM PANEL OF DRAWER
- (S) GAME PIECES (INCLUDED)
- (bb) SPINNER

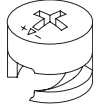


# HARDWARE



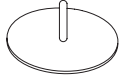
**T**

(32 PCS)



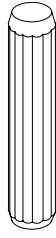
**U**

(32 PCS)



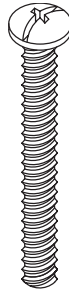
**V**

(32 PCS)



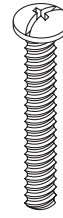
**W**

(36 PCS)



**X**

(8 PCS)



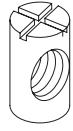
**Y**

(8 PCS)



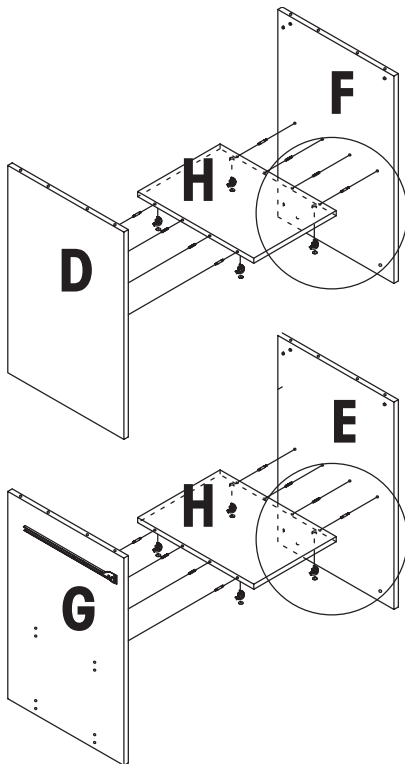
**Z**

(8 PCS)



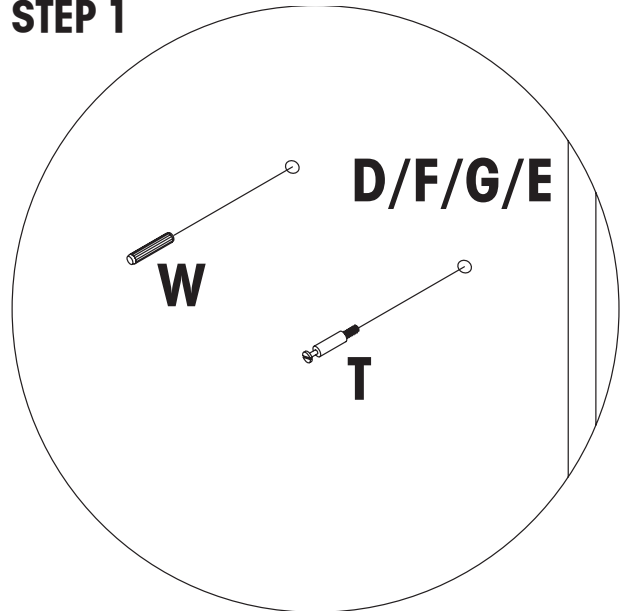
**aa**

(8 PCS)

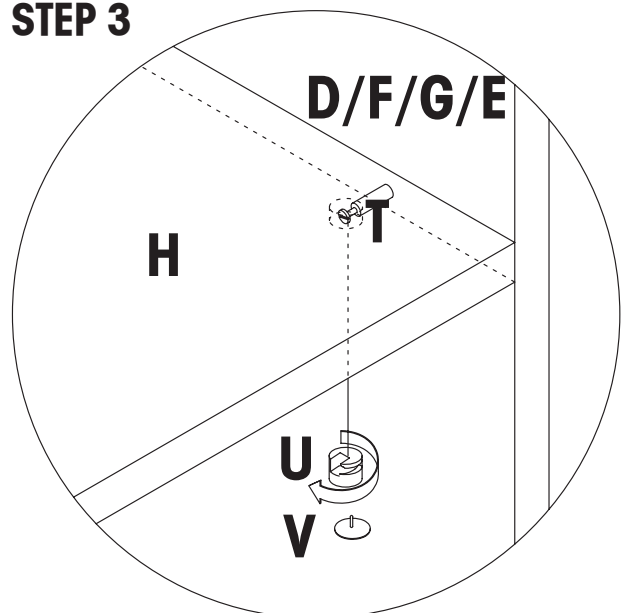
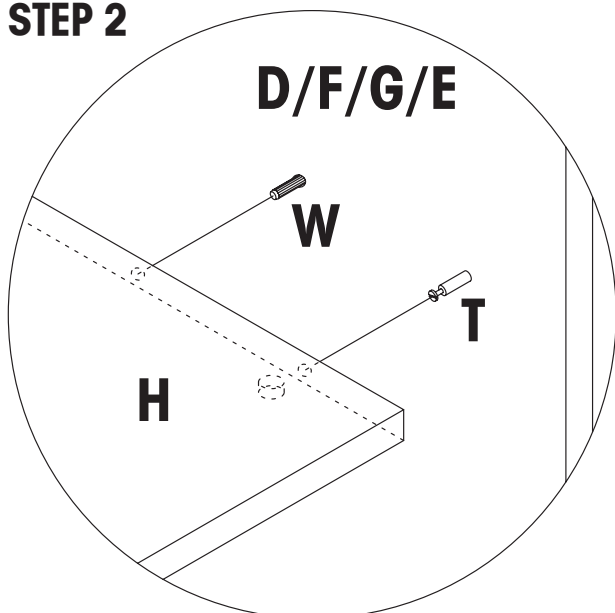


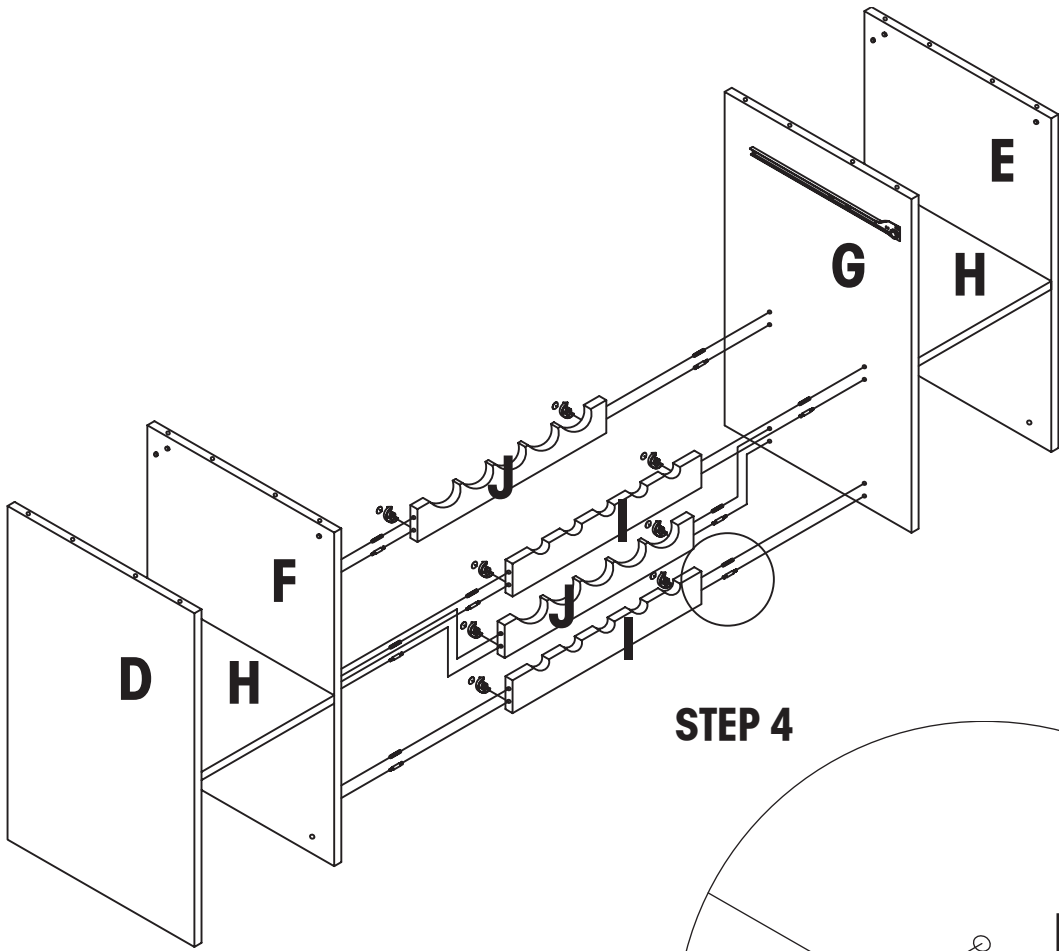
**STEP 2**

**STEP 1**

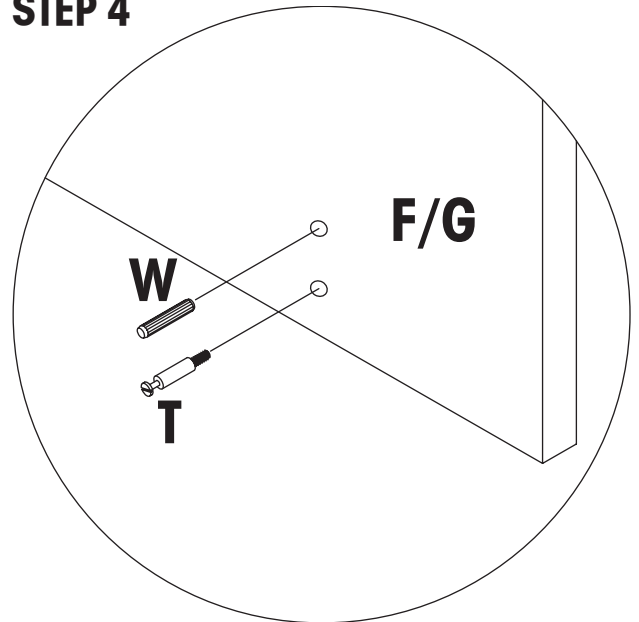


**STEP 3**

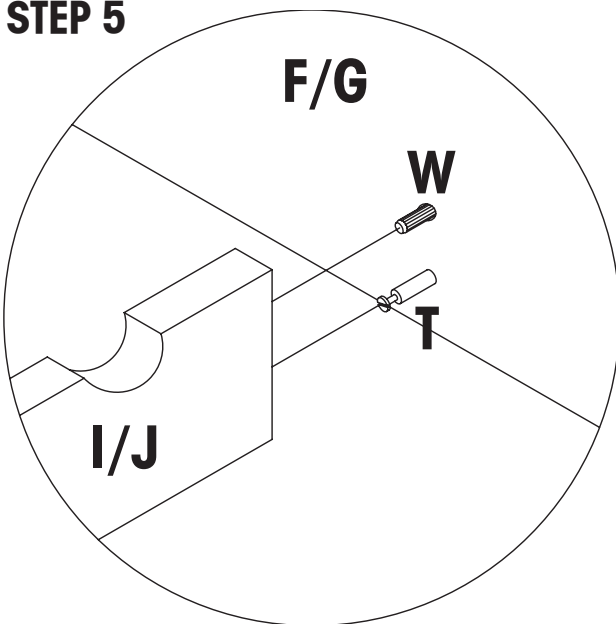




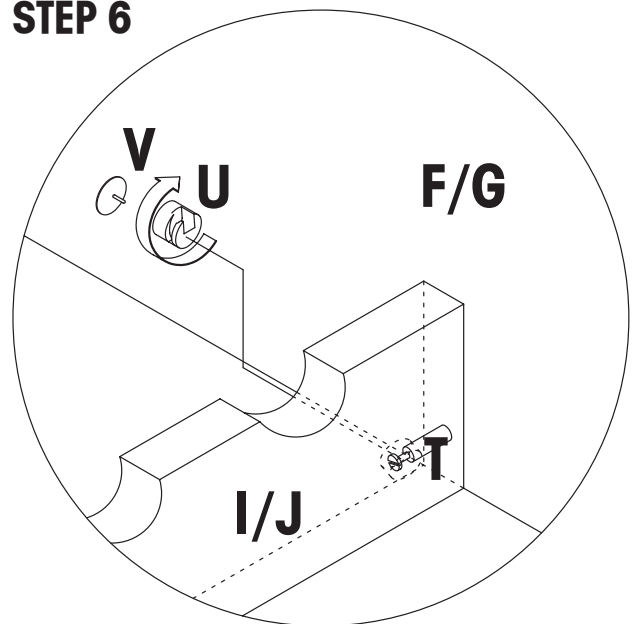
**STEP 4**

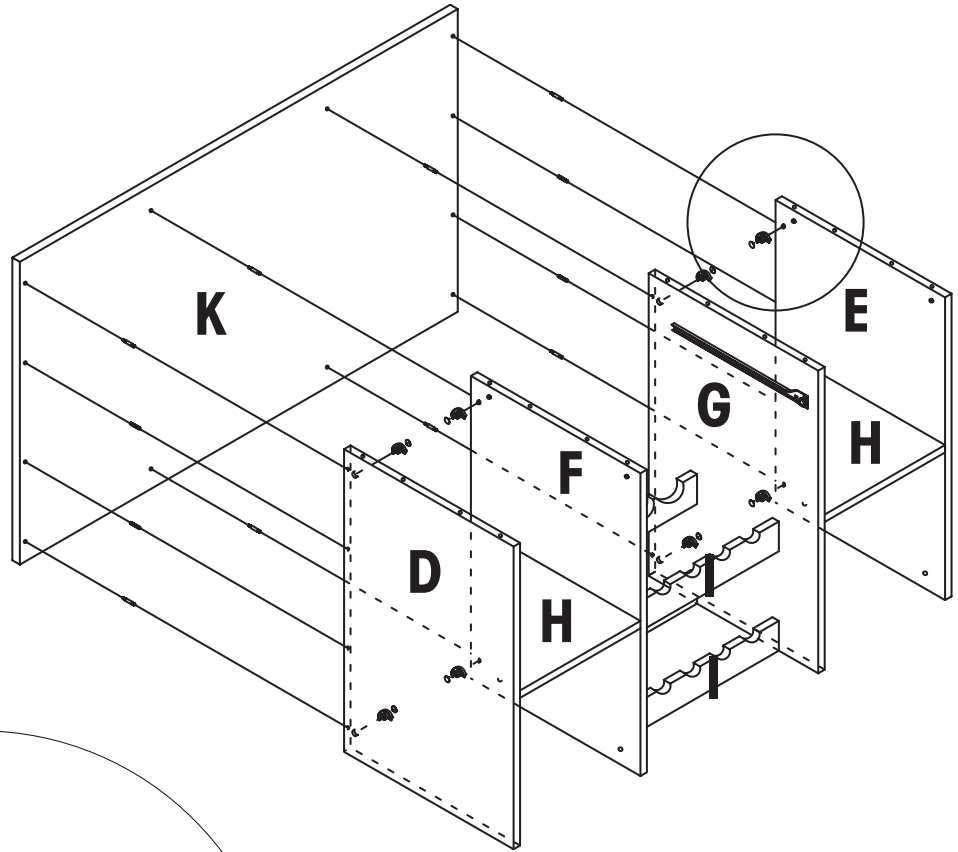


**STEP 5**

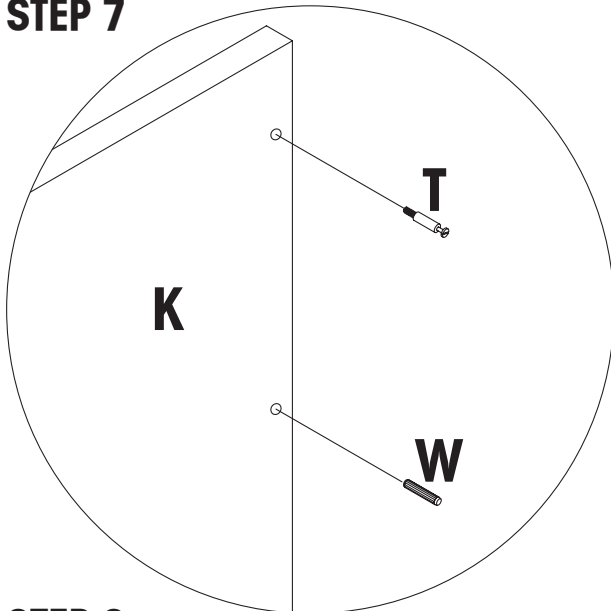


**STEP 6**

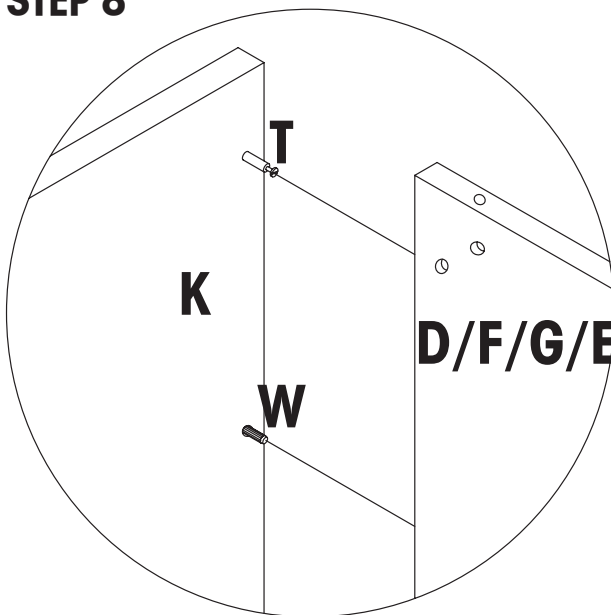




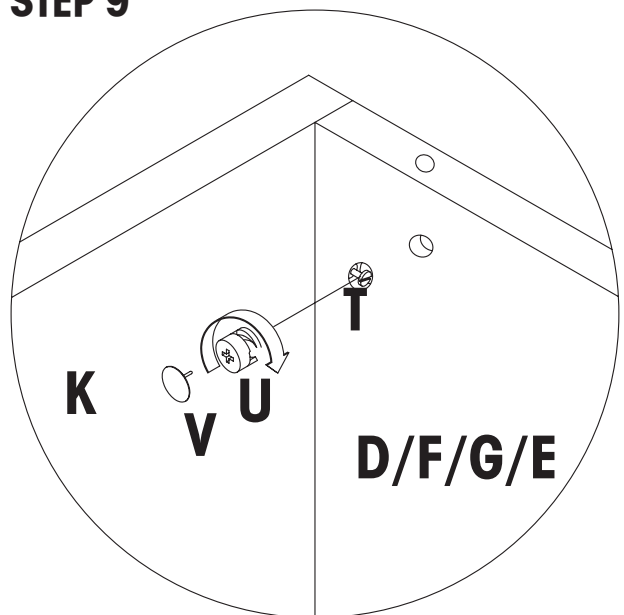
**STEP 7**



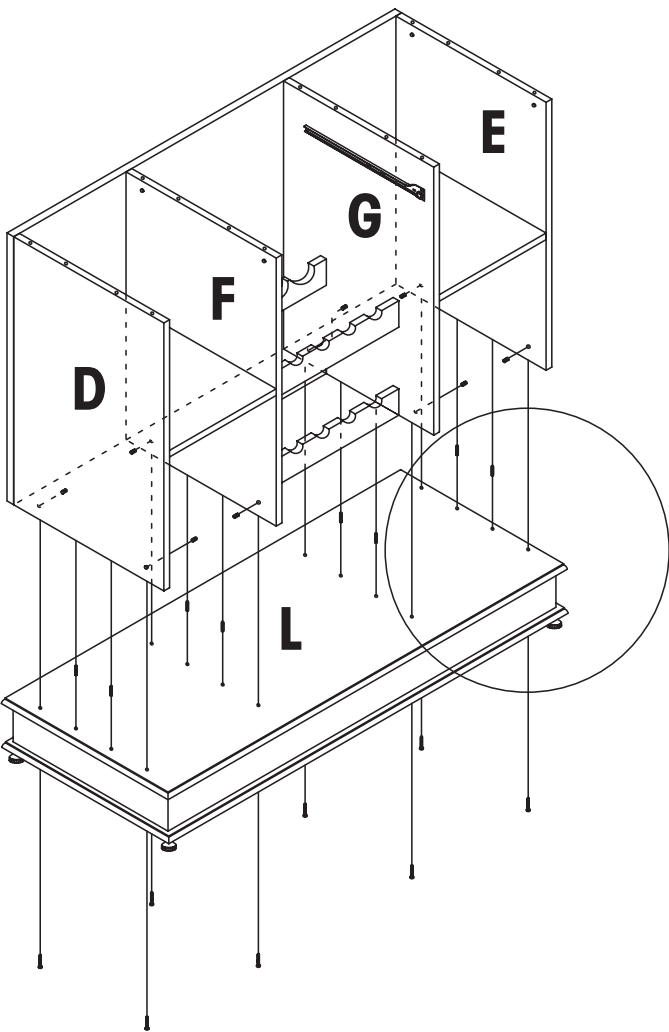
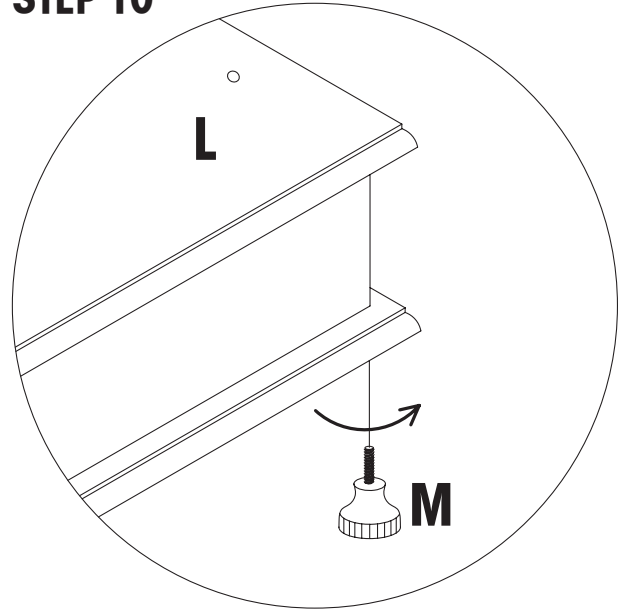
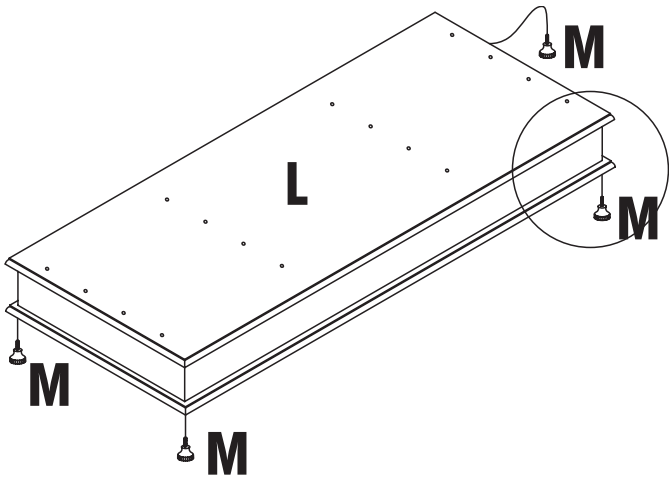
**STEP 8**



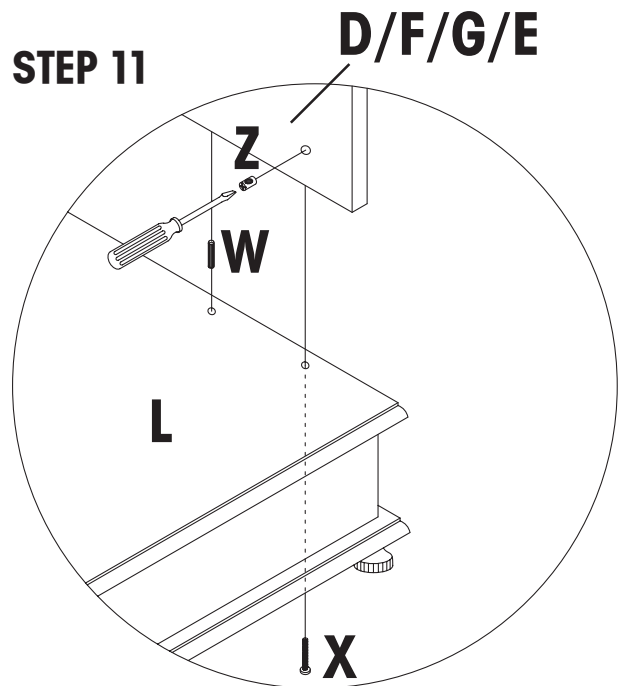
**STEP 9**

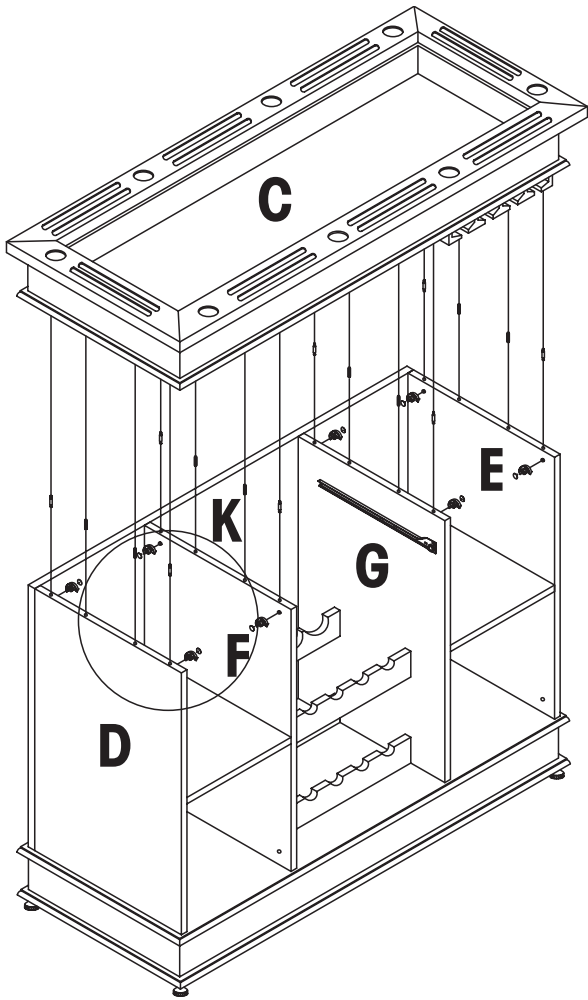


**STEP 10**

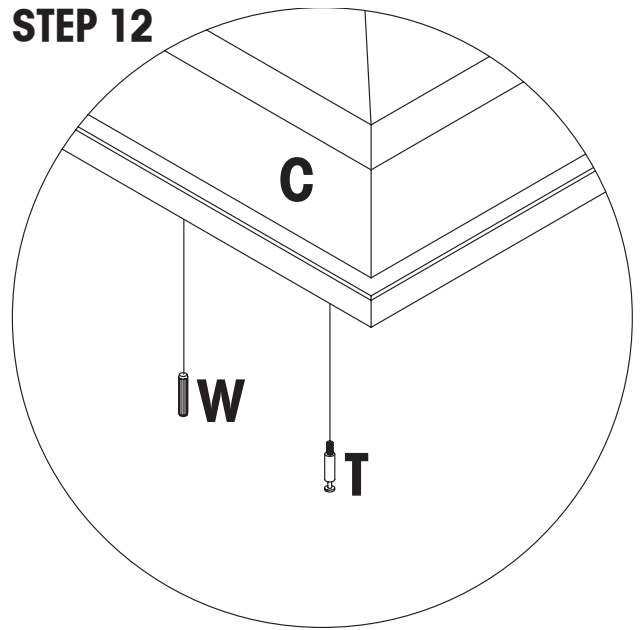


**STEP 11**

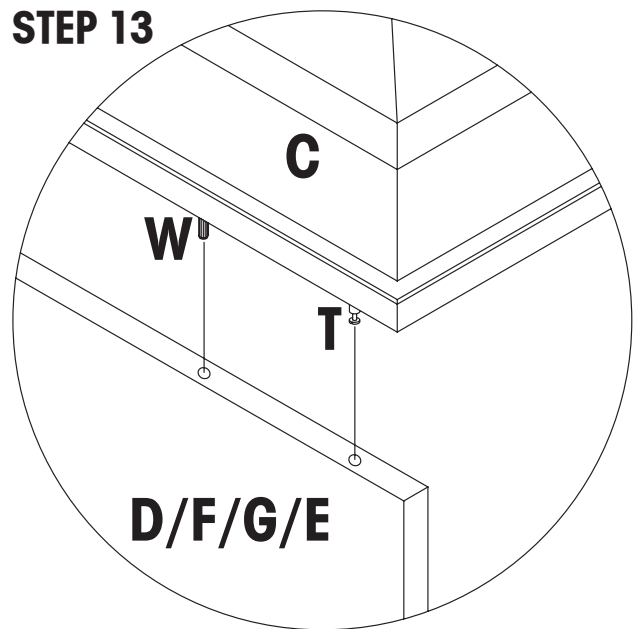




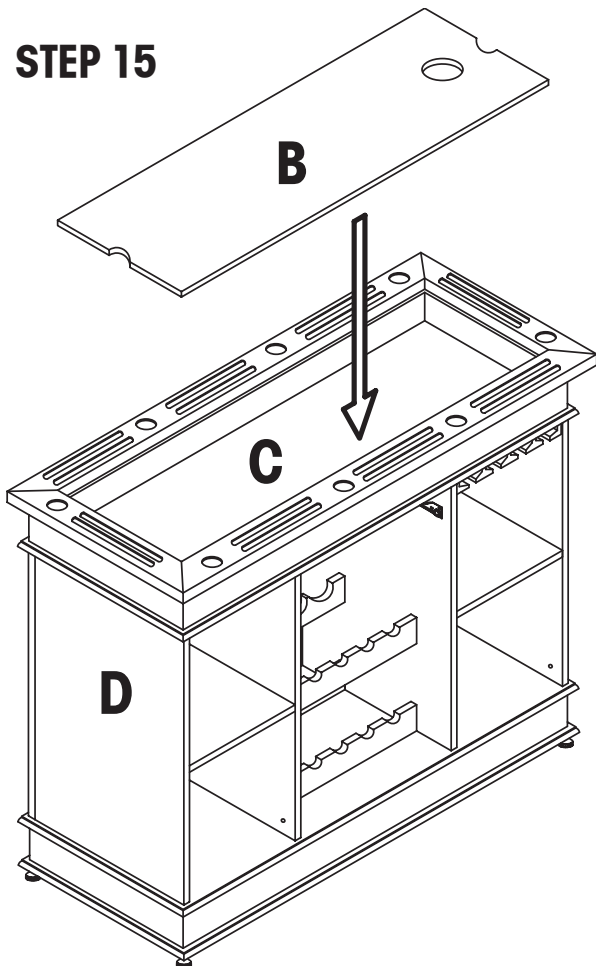
**STEP 12**



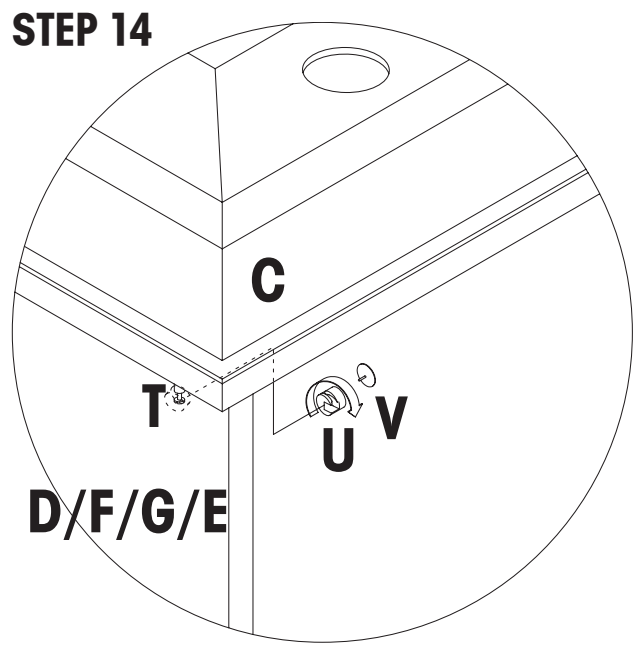
**STEP 13**



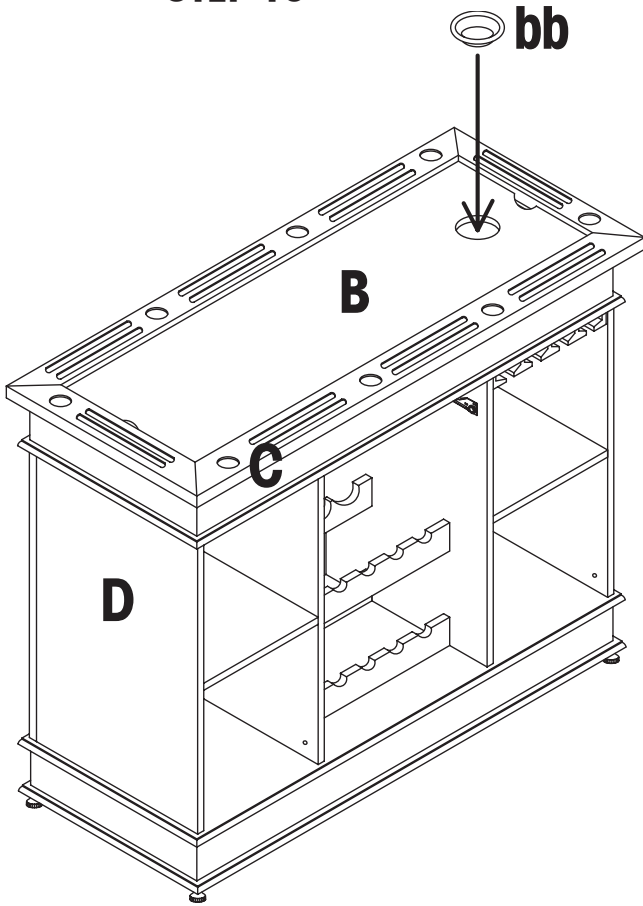
**STEP 15**



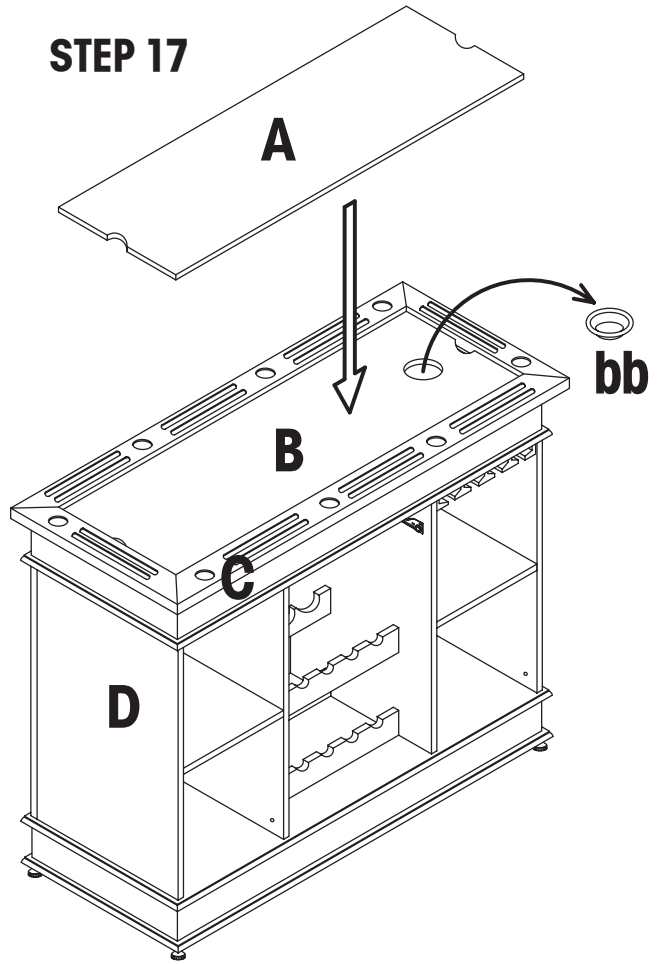
**STEP 14**



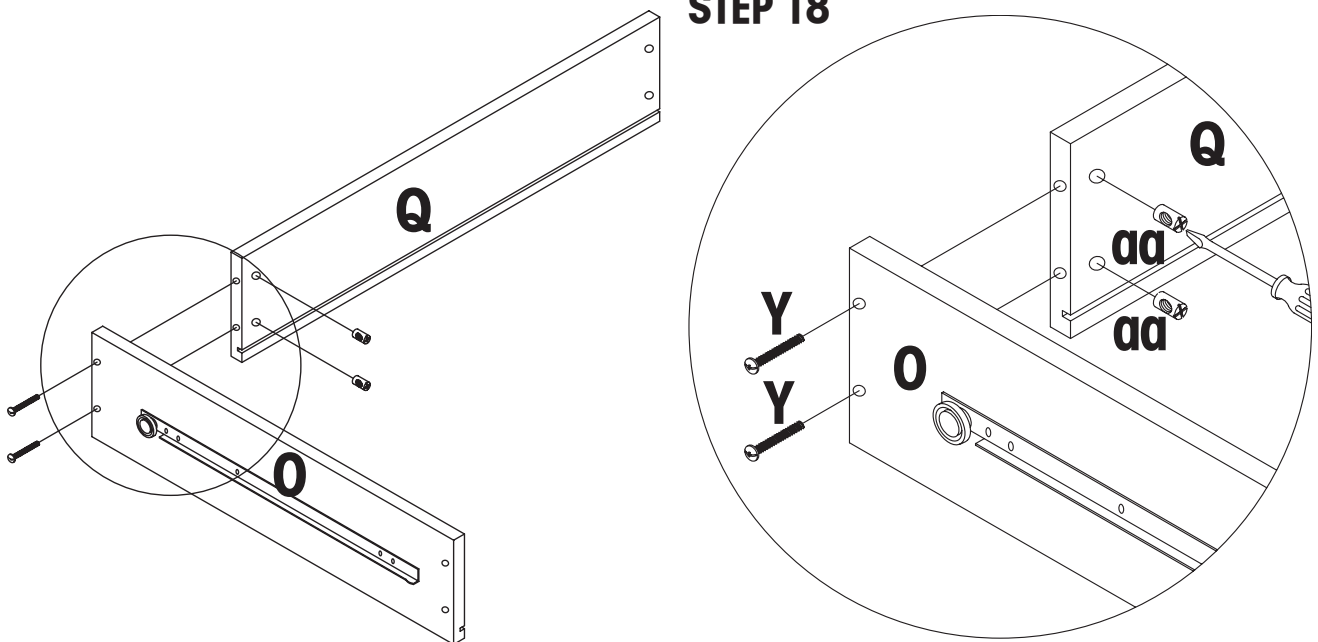
**STEP 16**



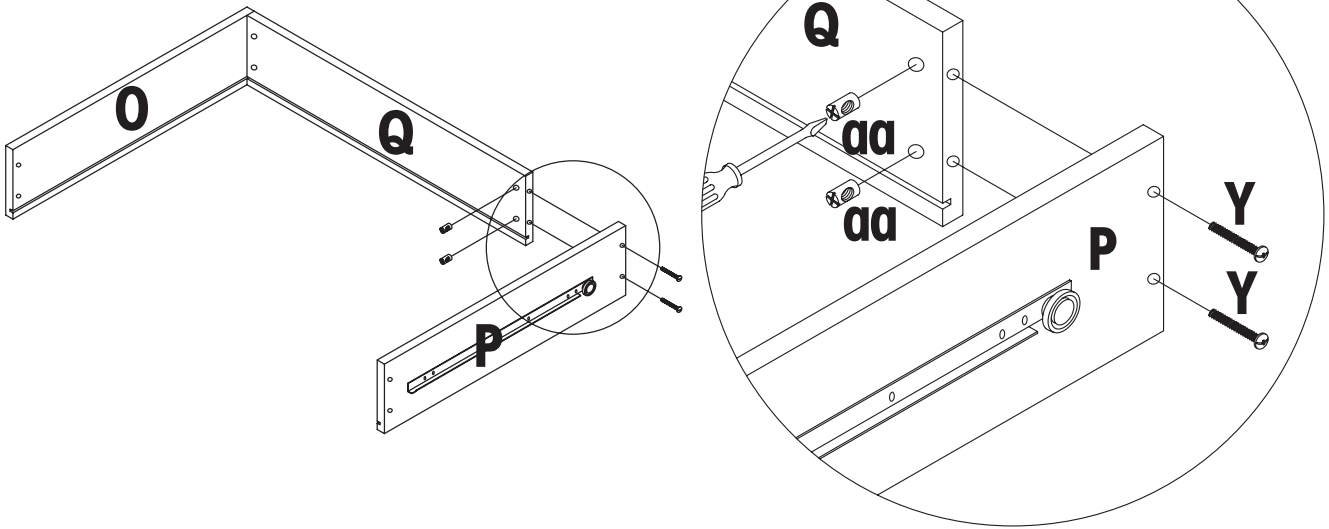
**STEP 17**



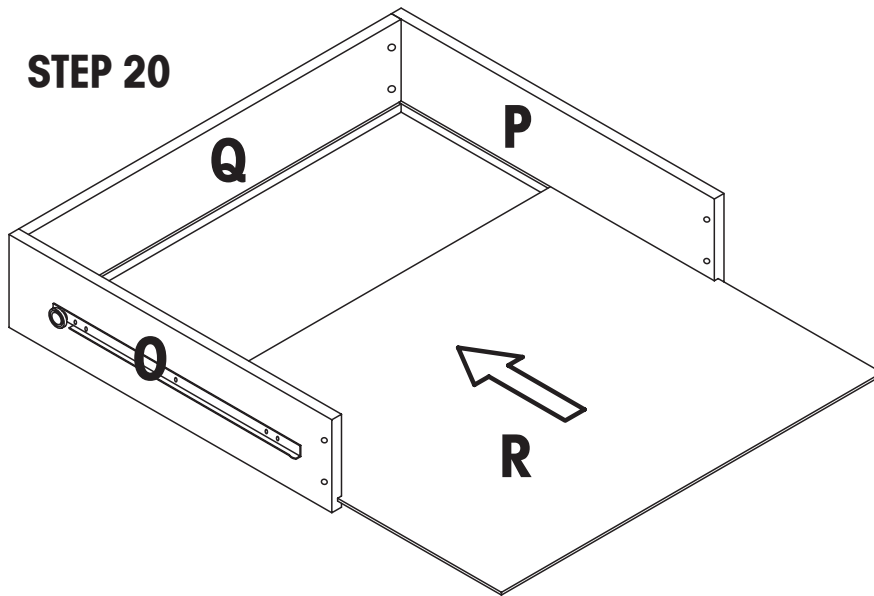
**STEP 18**



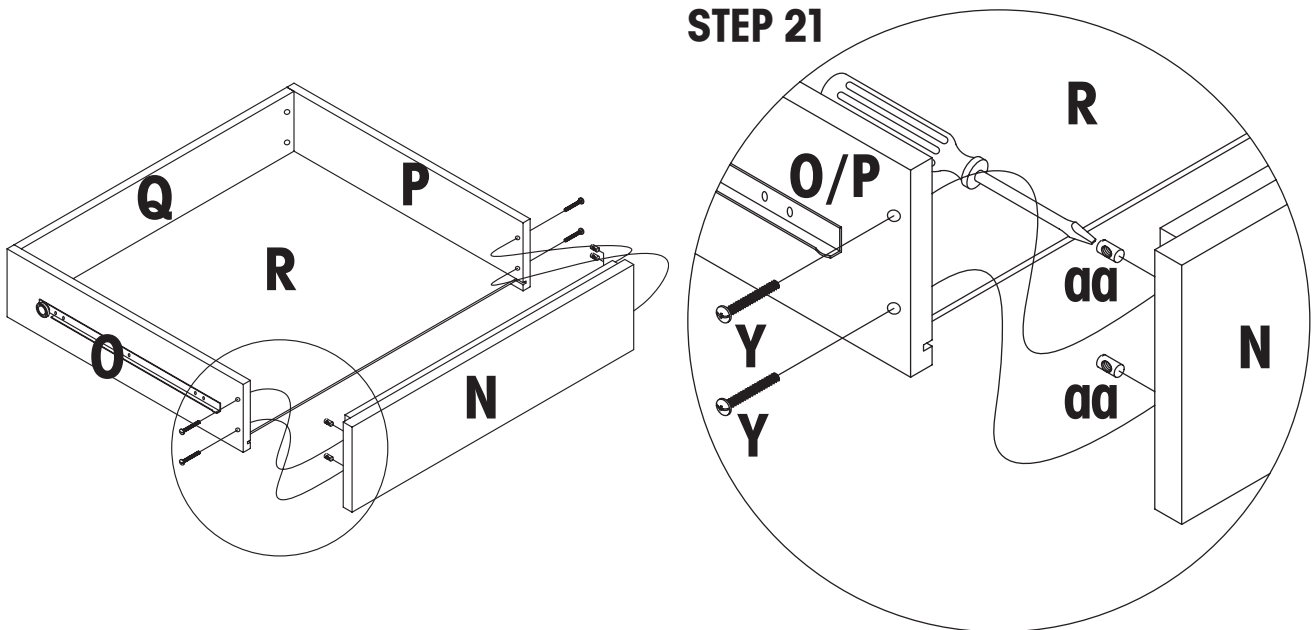
**STEP 19**



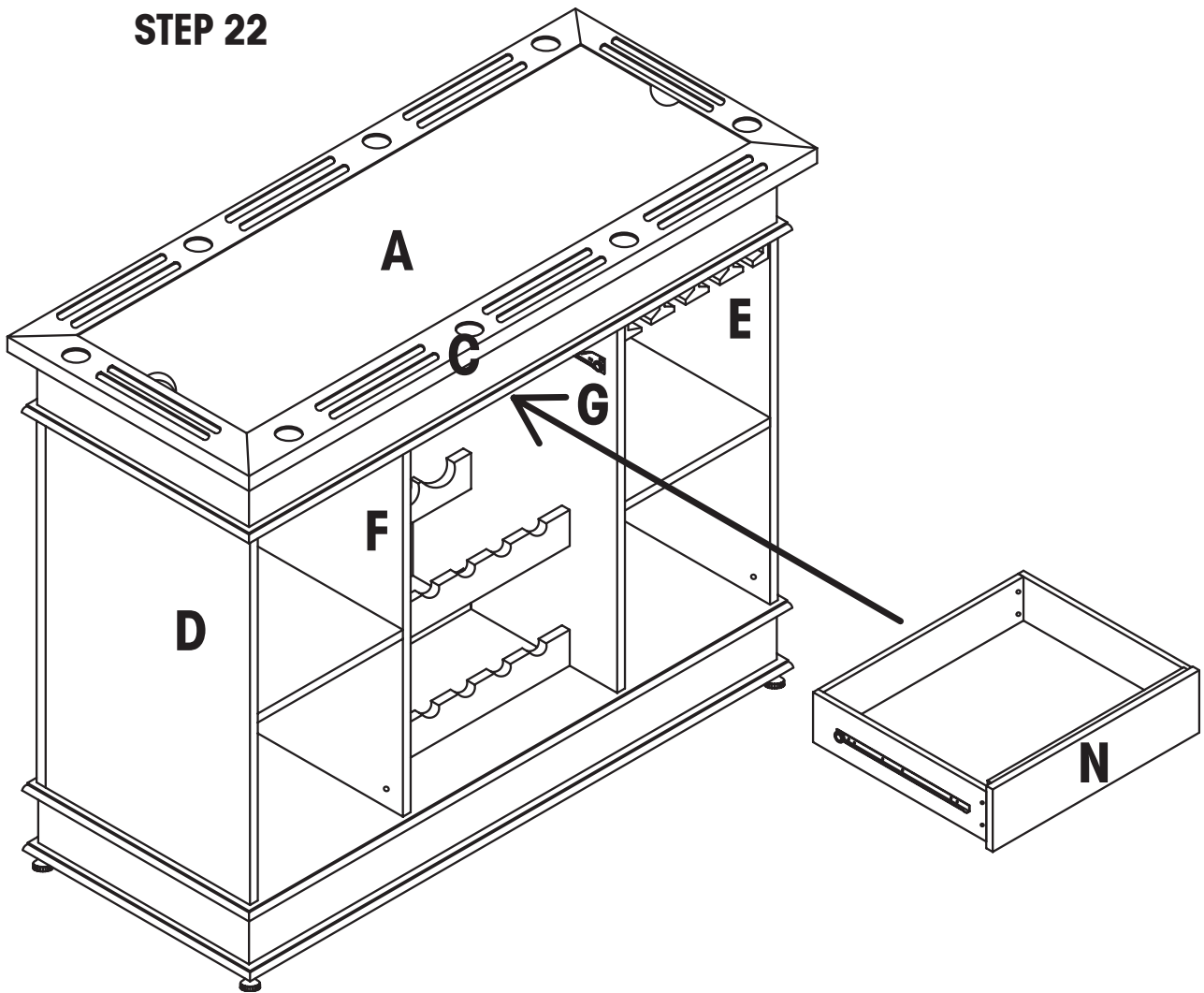
**STEP 20**



**STEP 21**



**STEP 22**



**IF YOU HAVE A PROBLEM, WE WANT TO HAVE THE OPPORTUNITY TO MAKE IT RIGHT!**

Should there be any missing or defective part(s),  
**Fax this form to (310) 841-0842**  
 or call Customer Service at (800) 622-4456 or (310) 204-2224  
 Have your model number and part code letter handy.

**MODEL NO. 647-475 "ANTIQUE OAK"**  
**961-475 "ATTIC CHERRY"**

© 2003 Powell

Part Letter \_\_\_\_\_ Description \_\_\_\_\_ Quantity \_\_\_\_\_

Name \_\_\_\_\_  
 Address \_\_\_\_\_

Daytime Phone ( ) \_\_\_\_\_  
 Reason for replacement \_\_\_\_\_

Place of purchase \_\_\_\_\_