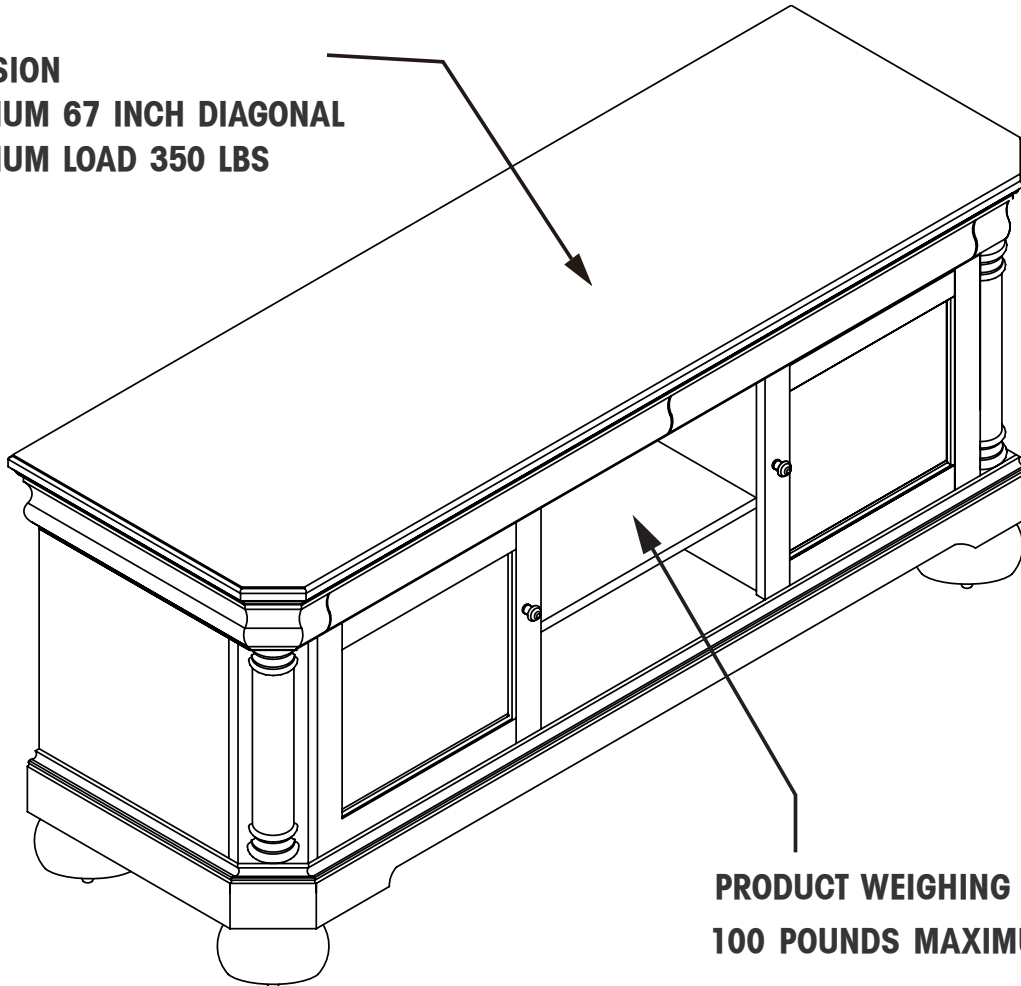


Thank you for purchasing this quality product. Be sure to check all packing material carefully for small parts which may have come loose inside the carton during shipment. Separate, identify, and count all parts and metal hardware. Compare with parts list and hardware illustrations to be sure all parts are present. If any part(s) are missing or damaged, phone, fax, or mail to our Customer Service Department. For efficient and speedy service, please indicate the model number and code letter of part(s) needed.

ATTENTION: SOME LETTERED PARTS LISTED ON THE INSTRUCTION SHEET MAY NOT BE IN PARTS BAG AS THEY MAY ALREADY BE ASSEMBLED. CAREFULLY CHECK PARTS AND PACKING MATERIALS PRIOR TO ORDERING REPLACEMENTS.

Tools Required for assembly: Phillips Screwdriver (not included)

**TELEVISION
MAXIMUM 67 INCH DIAGONAL
MAXIMUM LOAD 350 LBS**



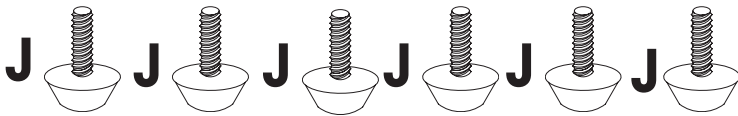
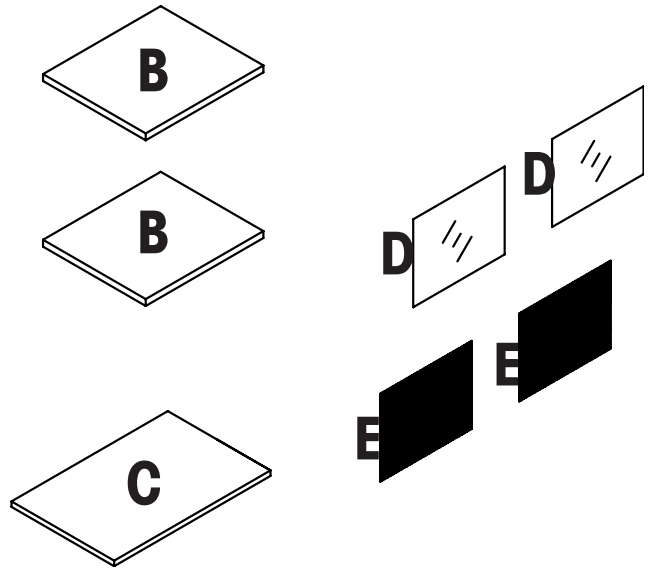
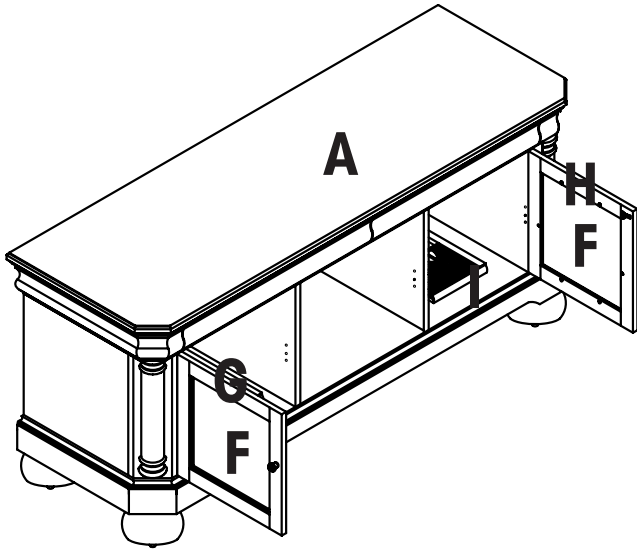
**PRODUCT WEIGHING
100 POUNDS MAXIMUM**

**! WARNING: TV SHOULD NOT EXCEED MAXIMUM SIZE OF 67 INCHES
OR WEIGHT LIMIT OF 350 LBS, SHELF LOAD NOT EXCEED
100 LBS.**

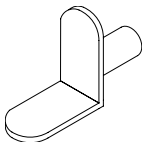
**! CAUTION- This stand is intended for use only with the products and
maximum weights indicated. use with other products or products heavier than the
maximum weights indicated may result in instability causing possible injury.**

PARTS

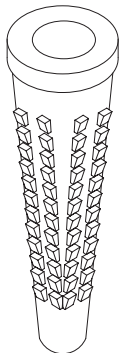
- (A) CABINET
- (B) SIDE SHELVES (2)
- (C) MIDDLE SHELF
- (D) GLASS PANELS (2)
- (E) MESH PANELS (2)
- (F) WOOD PANELS (2)
- (G) LEFT DOOR FRAME
- (H) RIGHT DOOR FRAME
- (I) REMOVABLE DISK BOXES (2)
- (J) ADJUSTABLE FEET (6)



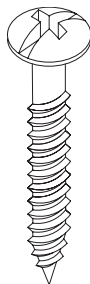
HARDWARE



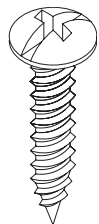
K
(12 PCS)



L
(1 PC)



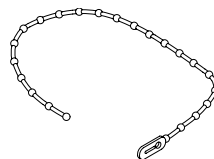
M
(1 PC)



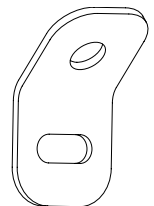
N
(1 PC)



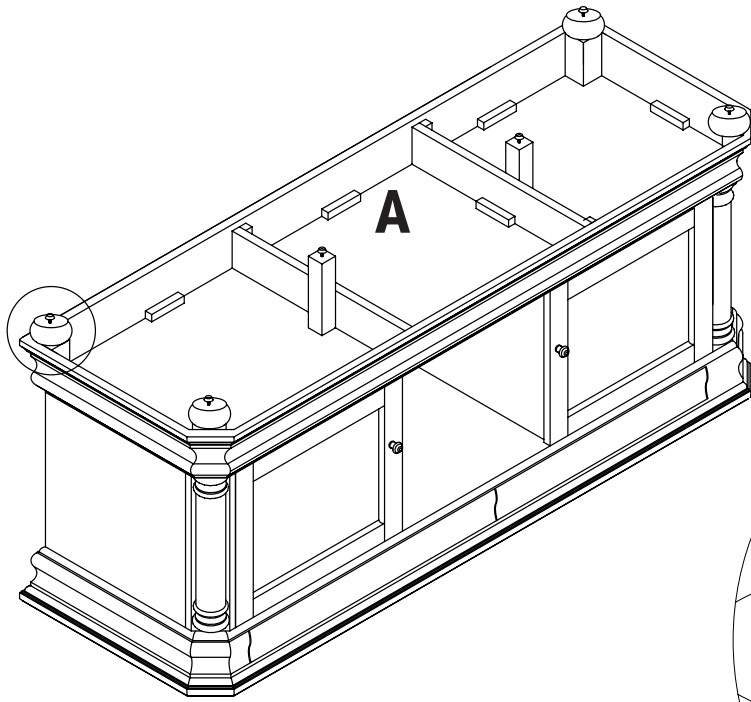
O
(12 PCS)



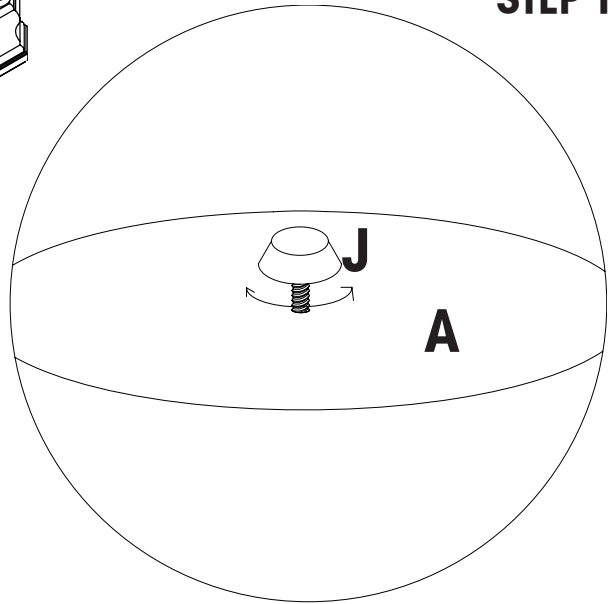
P
(1 PC)



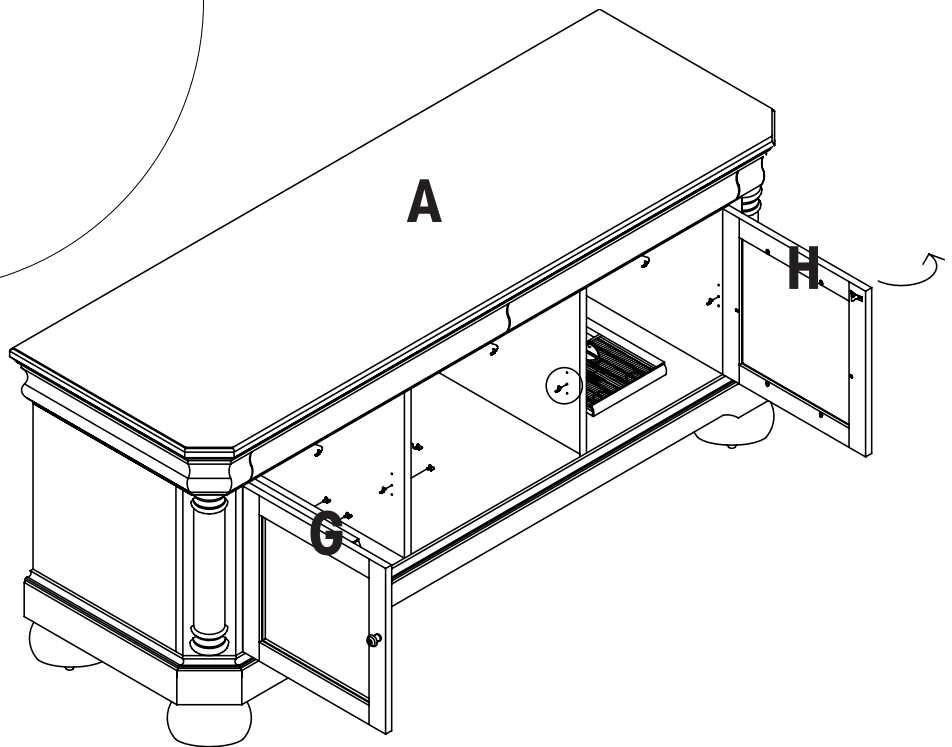
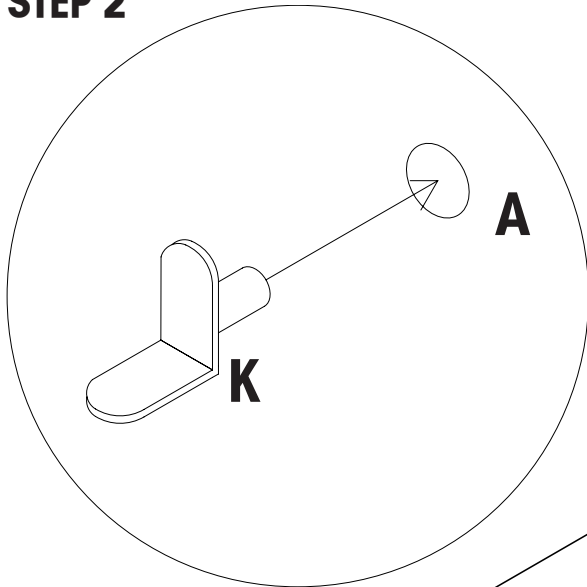
Q
(2 PCS)



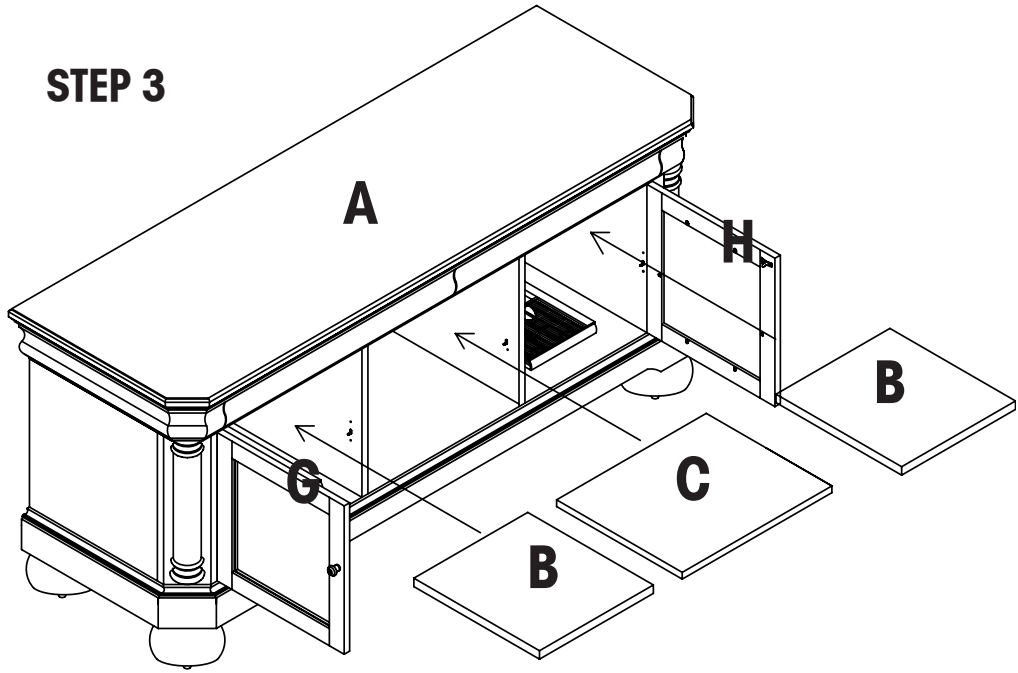
STEP 1



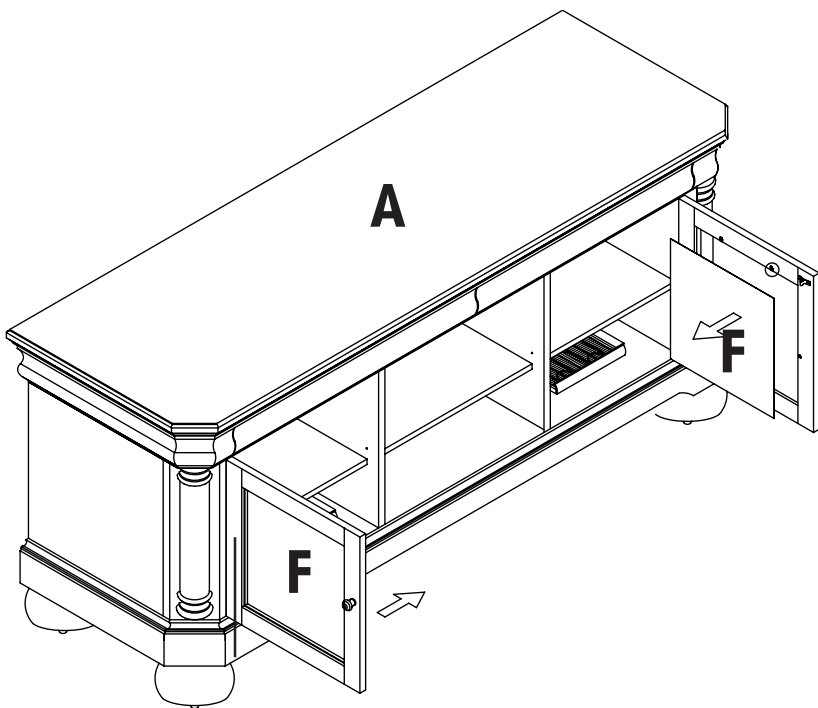
STEP 2



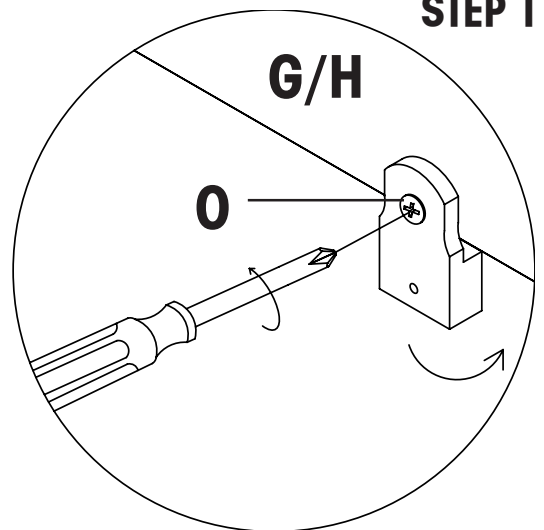
STEP 3



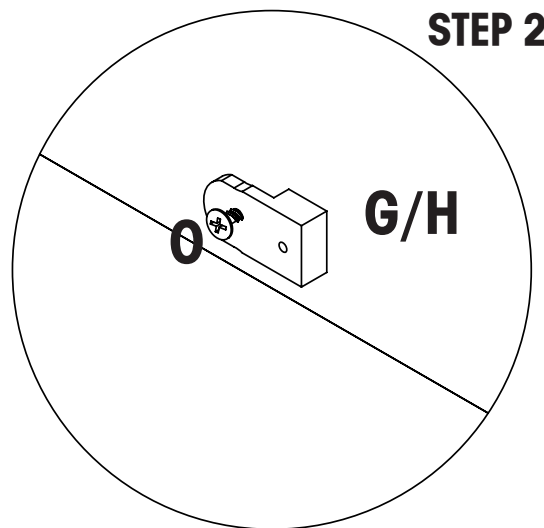
HOW TO REPLACE GLASS PANEL



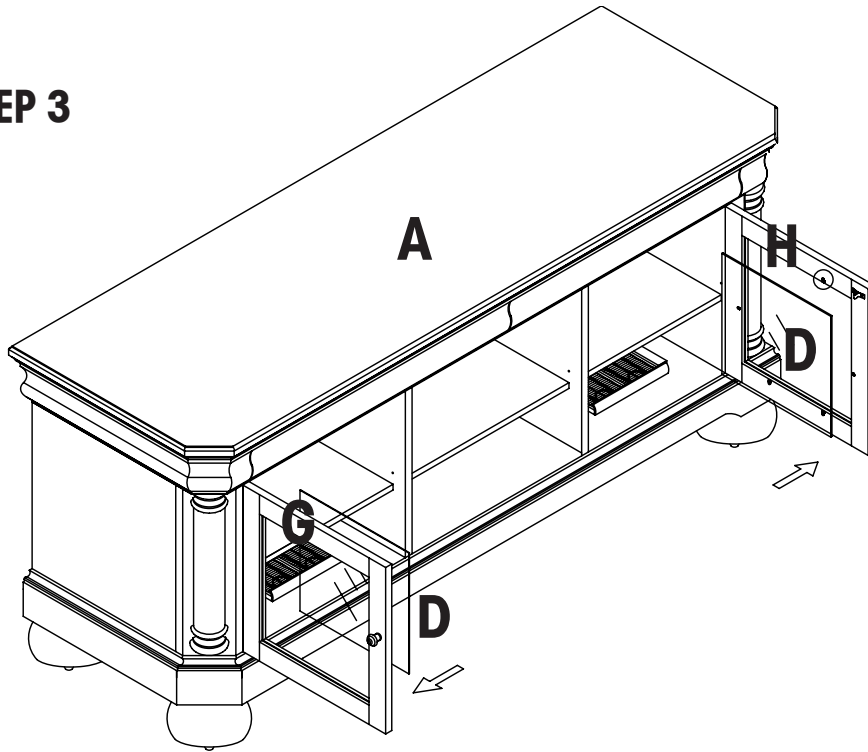
STEP 1



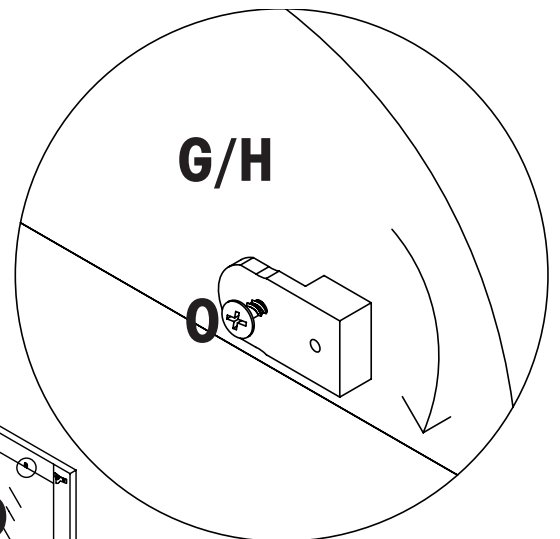
STEP 2



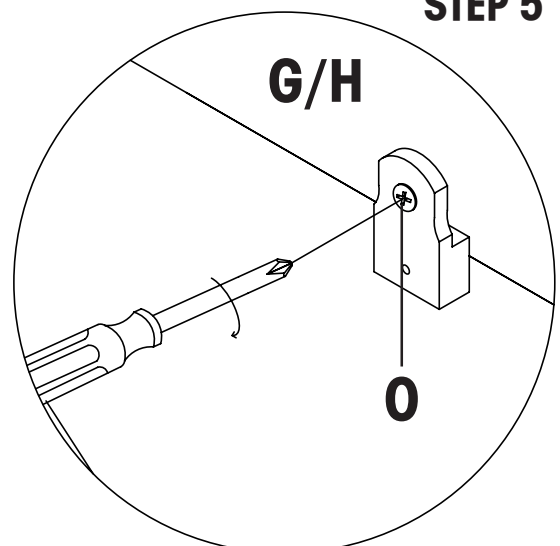
STEP 3



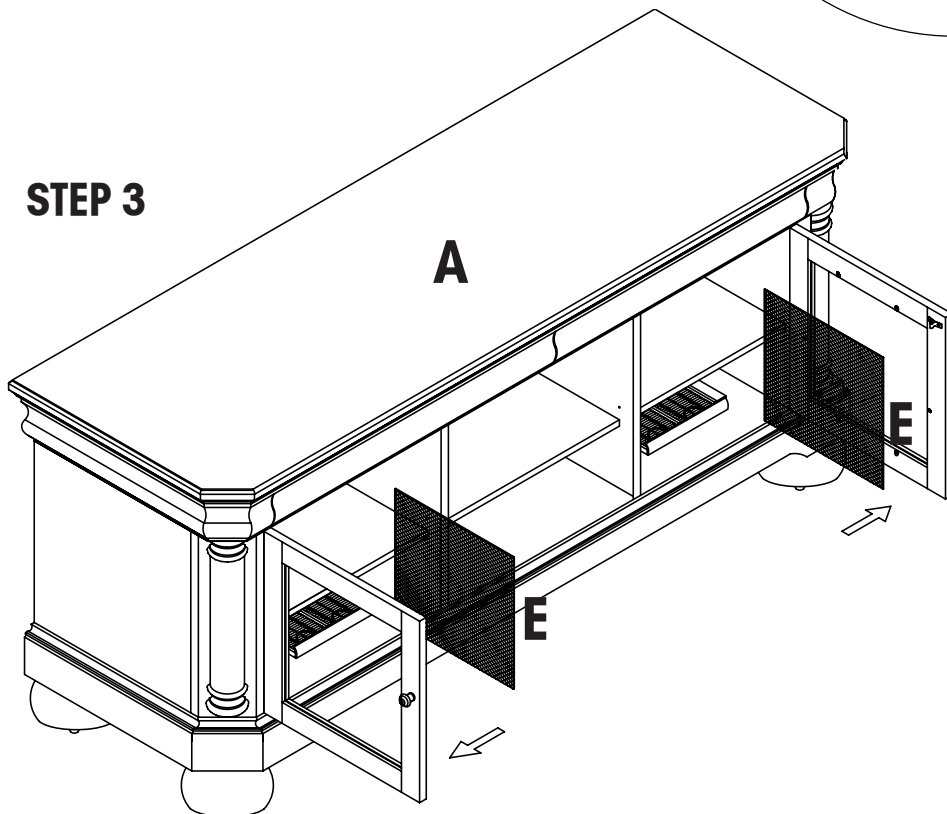
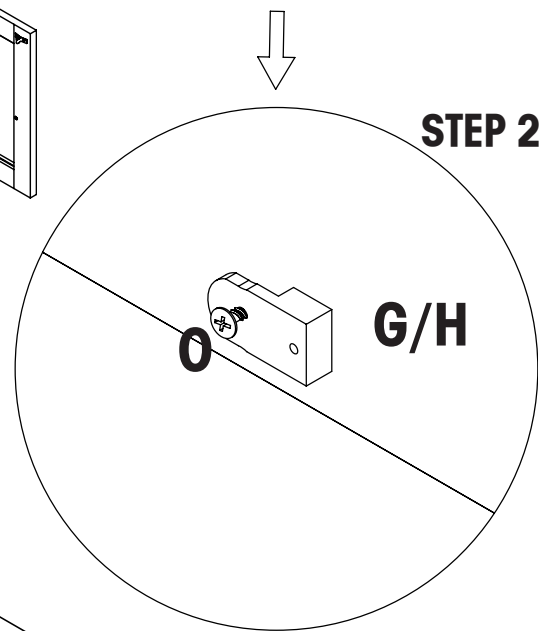
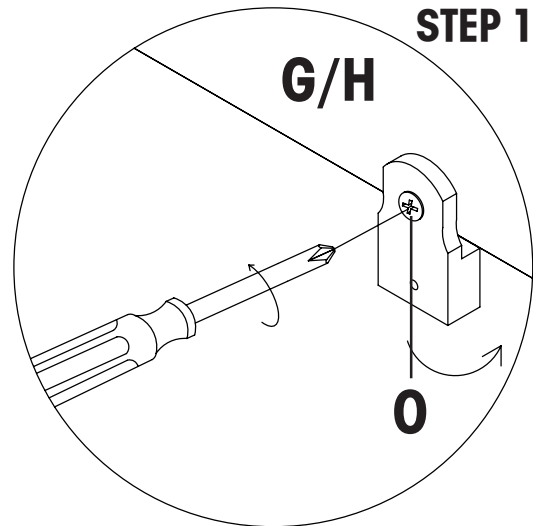
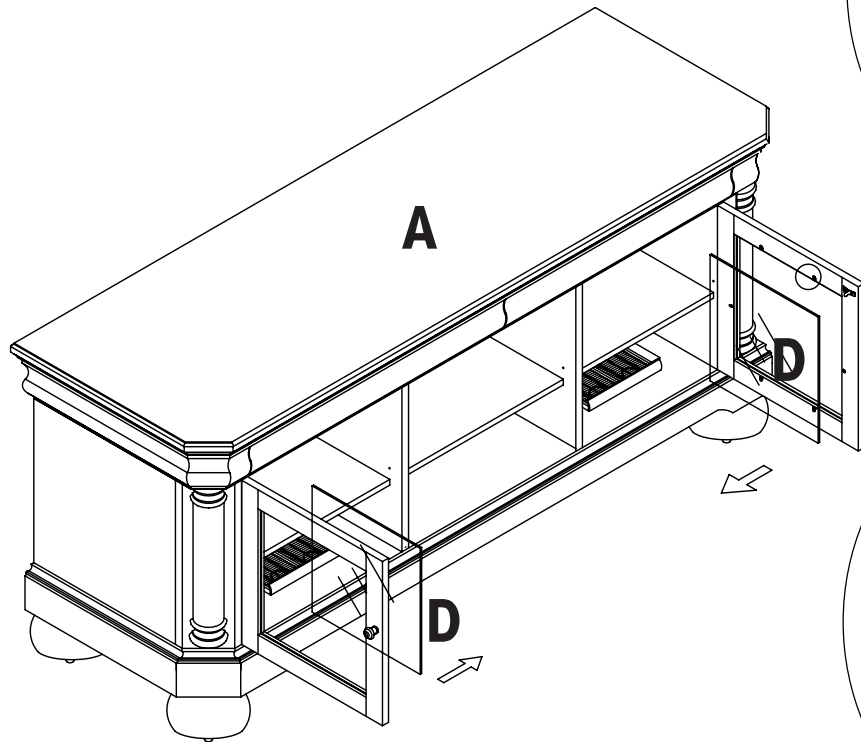
STEP 4

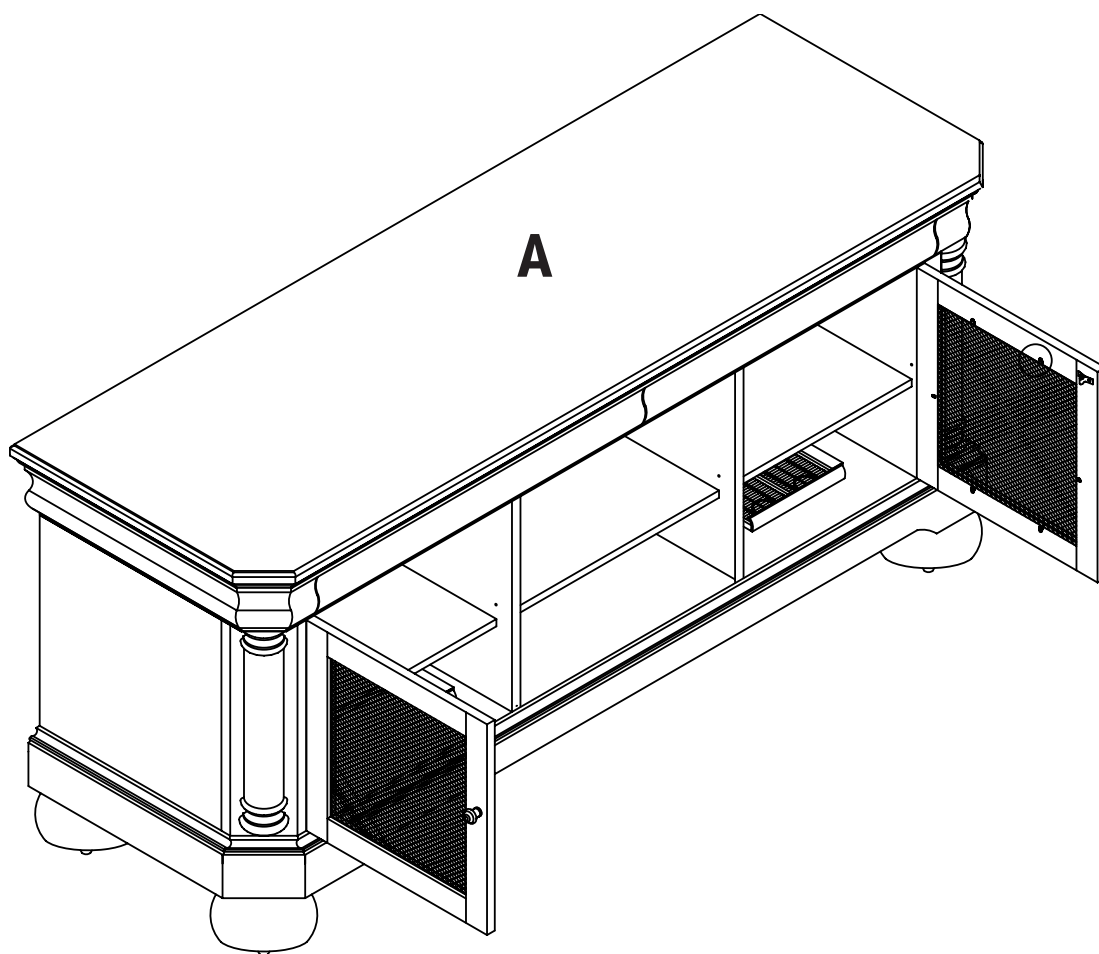


STEP 5

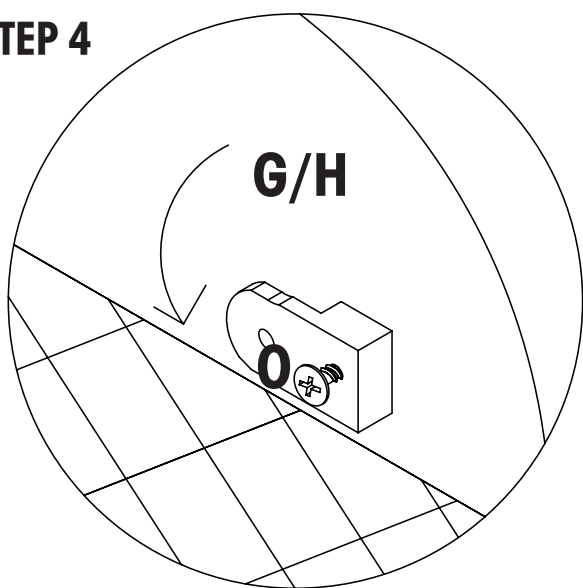


HOW TO REPLACE MESH PANEL

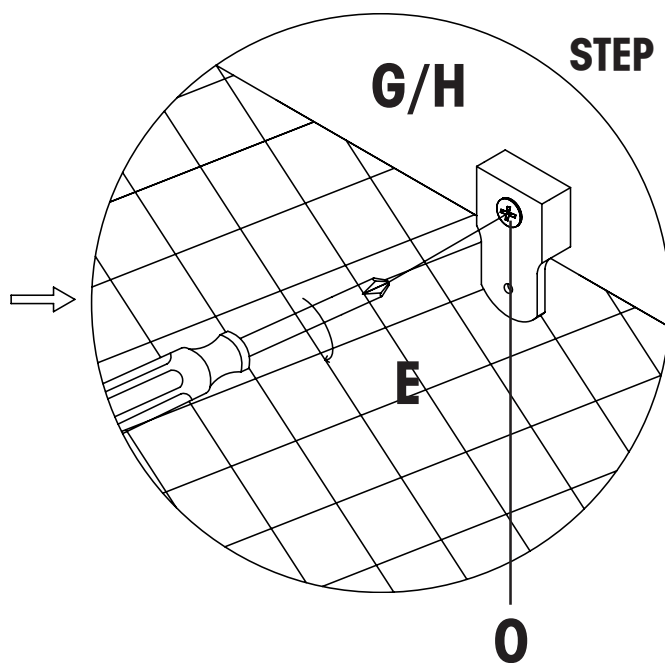




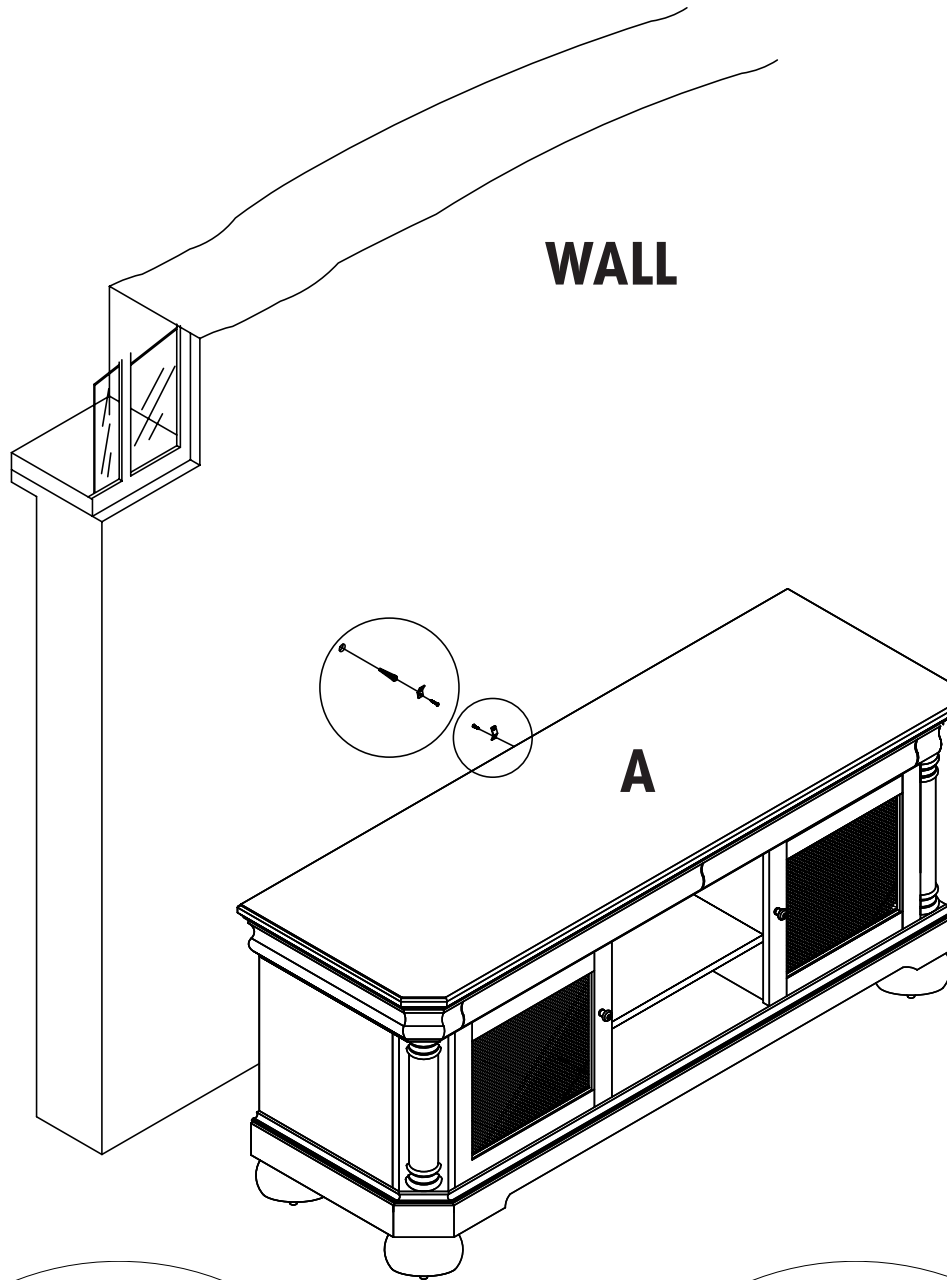
STEP 4



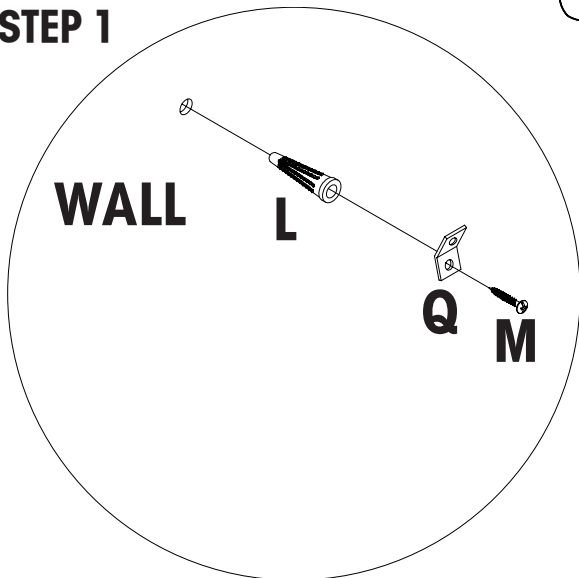
STEP 5



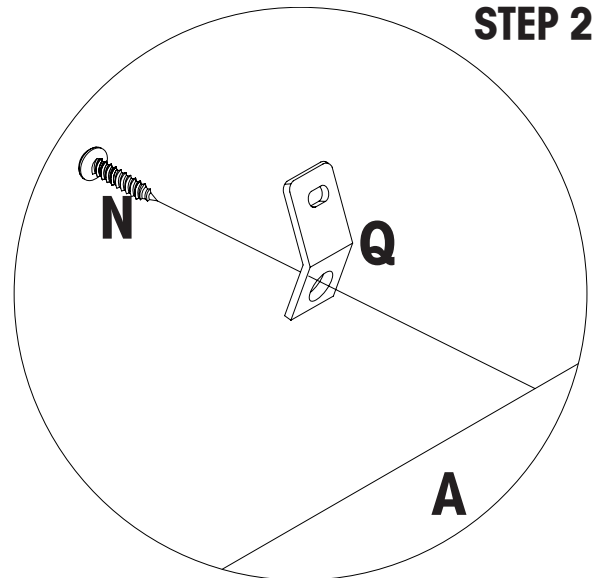
**TO PREVENT TIP OVER,
PRODUCT MUST BE ATTACHED TO WALL**

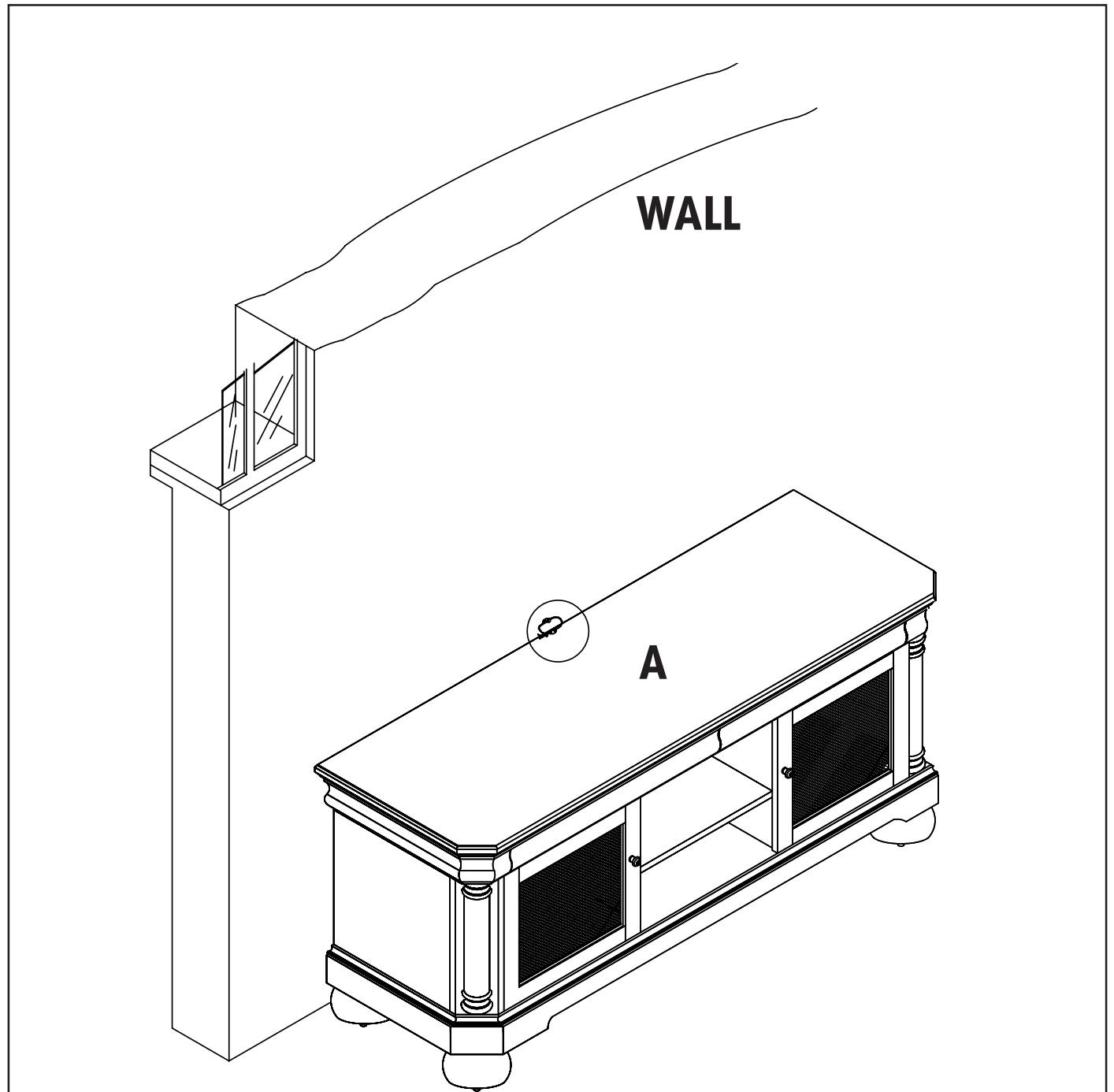


STEP 1

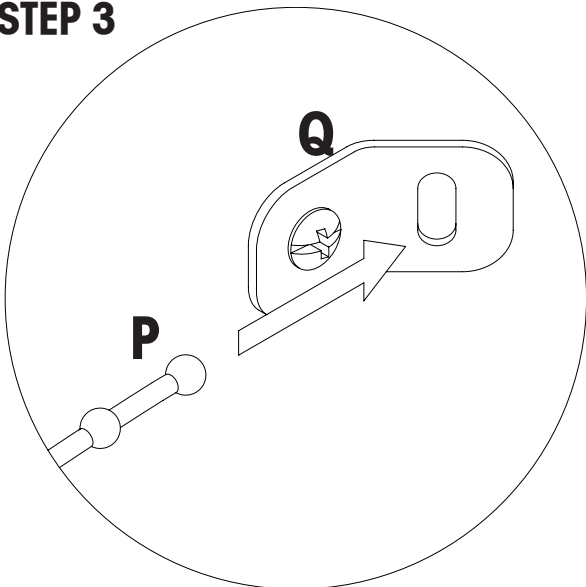


STEP 2

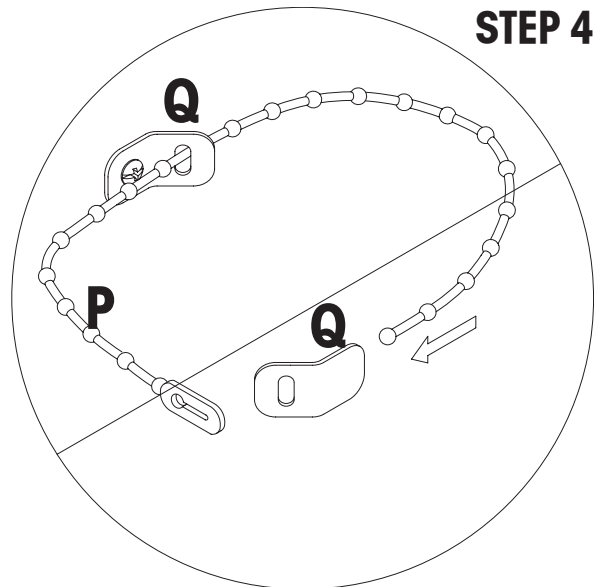




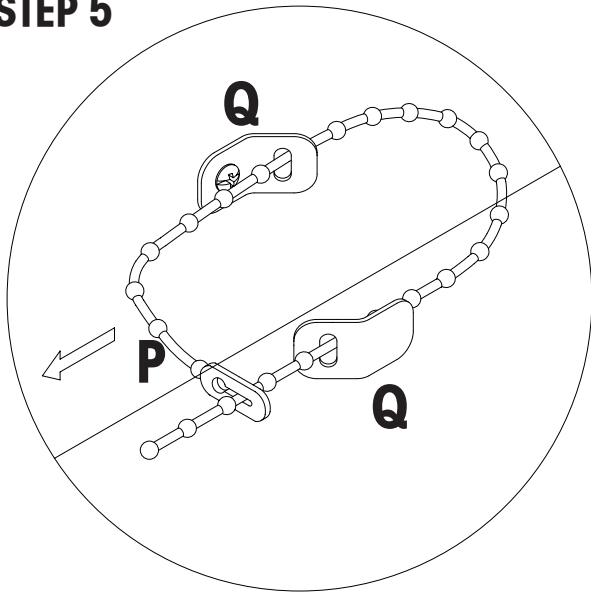
STEP 3



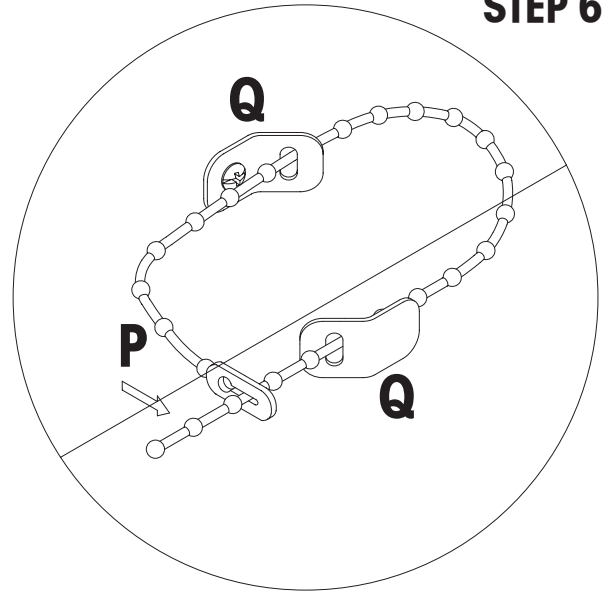
STEP 4



STEP 5



STEP 6



IF YOU HAVE A PROBLEM, WE WANT TO HAVE THE OPPORTUNITY TO MAKE IT RIGHT!

Should there be any missing or defective part(s),
Fax this form to (310) 841-0842
 or call Customer Service at (800) 622-4456 or (310) 204-2224
 Have your model number and part code letter handy.

MODEL NO. 960-600

© 2006 Powell

| Part Letter | Description | Quantity |
|-------------|-------------|----------|
| | | |
| | | |
| | | |

Name _____
 Address _____

 Daytime Phone () _____
 Reason for replacement _____

 Place of purchase _____