



ASSEMBLY INSTRUCTIONS (DJ) MODEL NO. 938-954

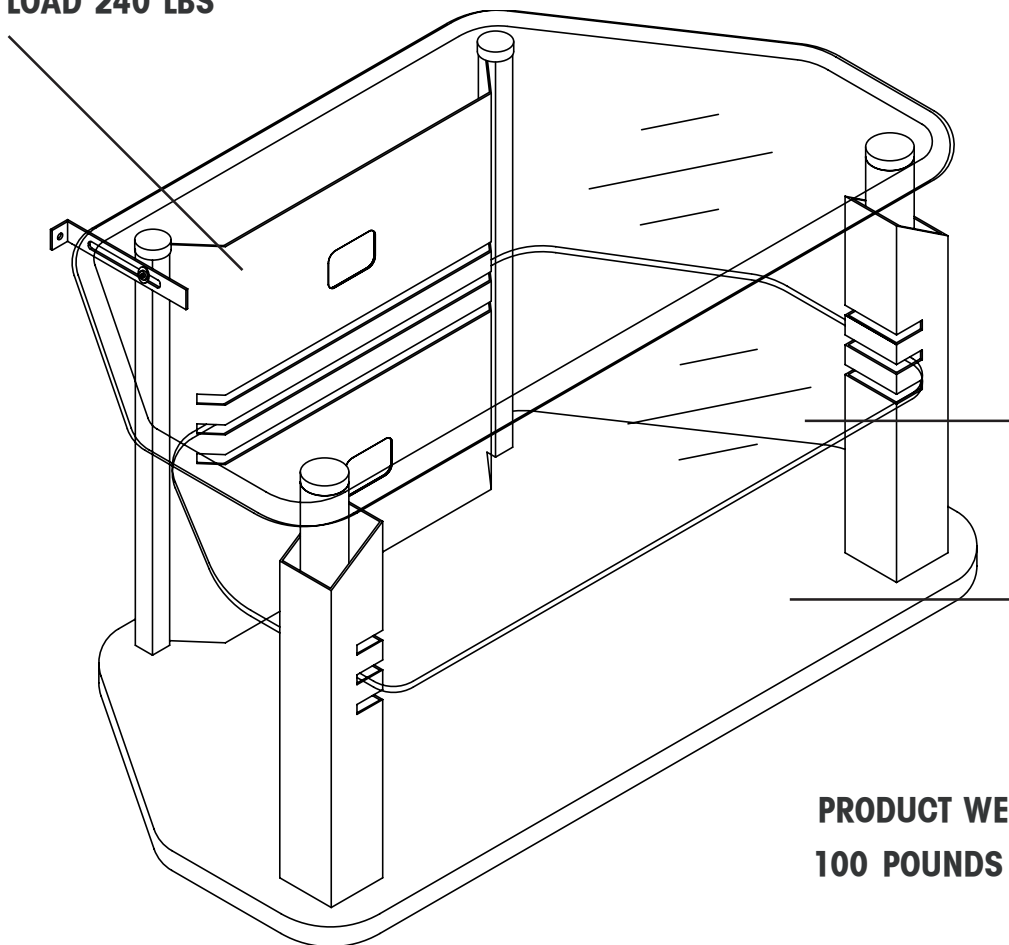
Made in China

Thank you for purchasing this quality product. Be sure to check all packing material carefully for small parts which may have come loose inside the carton during shipment. Separate, identify, and count all parts and metal hardware. Compare with parts list and hardware illustrations to be sure all parts are present. If any part(s) are missing or damaged, phone, fax, or mail to our Customer Service Department. For efficient and speedy service, please indicate the model number and code letter of part(s) needed.

ATTENTION: SOME LETTERED PARTS LISTED ON THE INSTRUCTION SHEET MAY NOT BE IN PARTS BAG AS THEY MAY ALREADY BE ASSEMBLED. CAREFULLY CHECK PARTS AND PACKING MATERIALS PRIOR TO ORDERING REPLACEMENTS.

Tools Required for assembly: Phillips Screwdriver (not included); Allren Wrench (included).

TELEVISION
MAXIMUM 40 INCH DIAGONAL
MAXIMUM LOAD 240 LBS



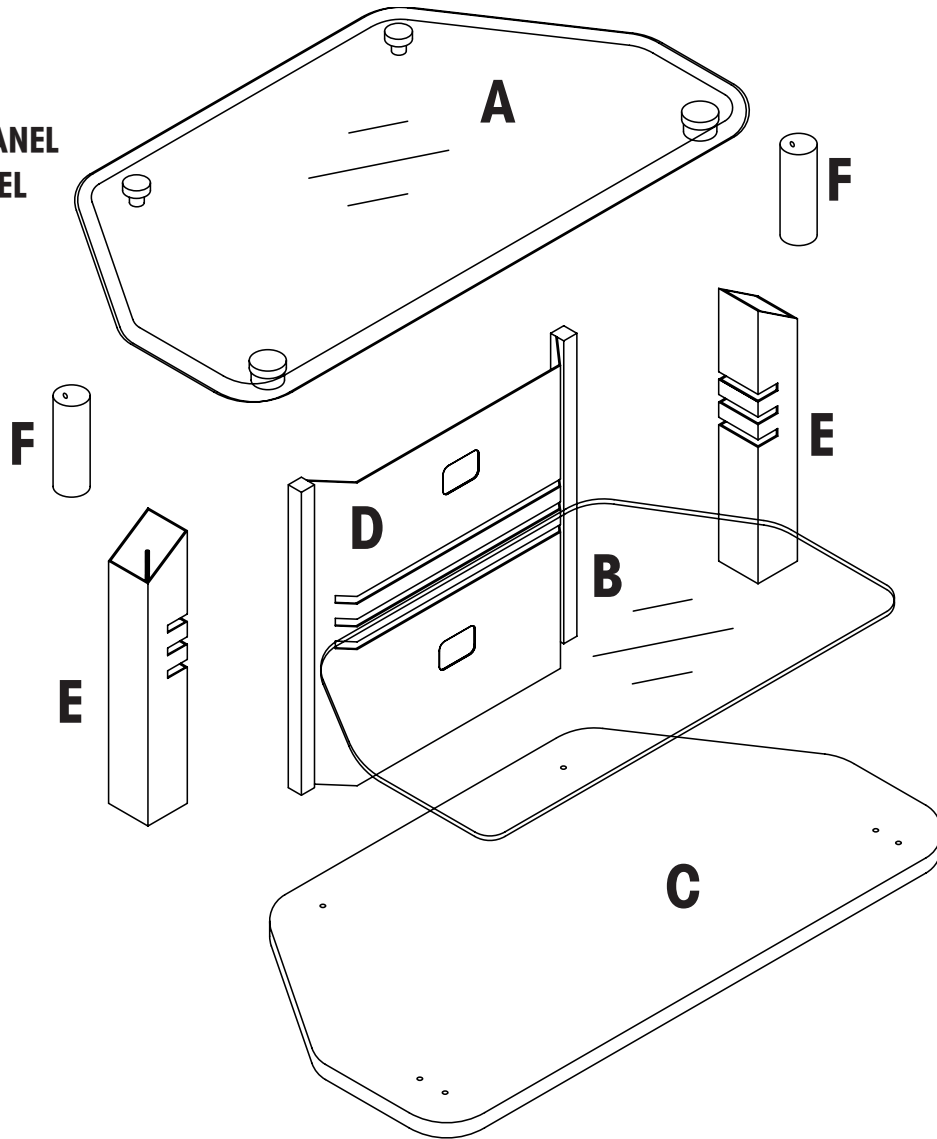
PRODUCT WEIGHING
100 POUNDS MAXIMUM

! WARNING: TV SHOULD NOT EXCEED MAXIMUM SIZE OF 40 INCHES,
OR WEIGHT LIMIT OF 240 LBS, SHELF LOAD NOT EXCEED
100 LBS.

! CAUTION - This stand is intended for use only with the products and
maximum weights indicated. use with other products or products heavier than the
maximum weights indicated may result in instability causing possible injury.

PARTS

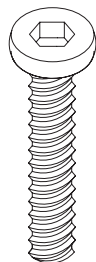
- (A) TOP PANEL
- (B) SHELF
- (C) BOTTOM PANEL
- (D) BACK PANEL
- (E) LEG (2)
- (F) POST (2)



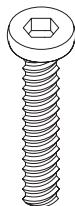
HARDWARE



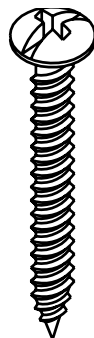
G
(6 PCS)



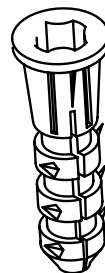
H
(1 PC)



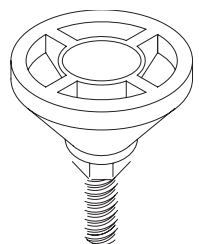
I
(4 PCS)



J
(1 PC)

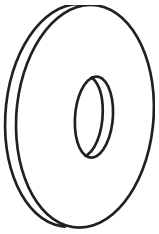


K
(1 PC)

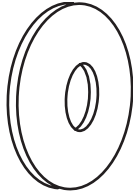


L
(6 PCS)

HARDWARE



M
(6 PCS)



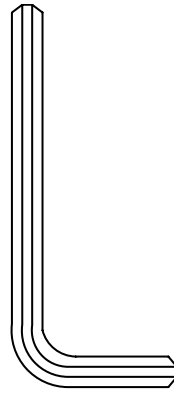
N
(1 PC)



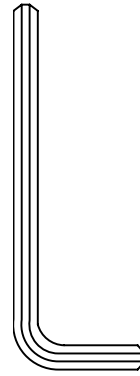
O
(1 PC)



P
(1 PC)



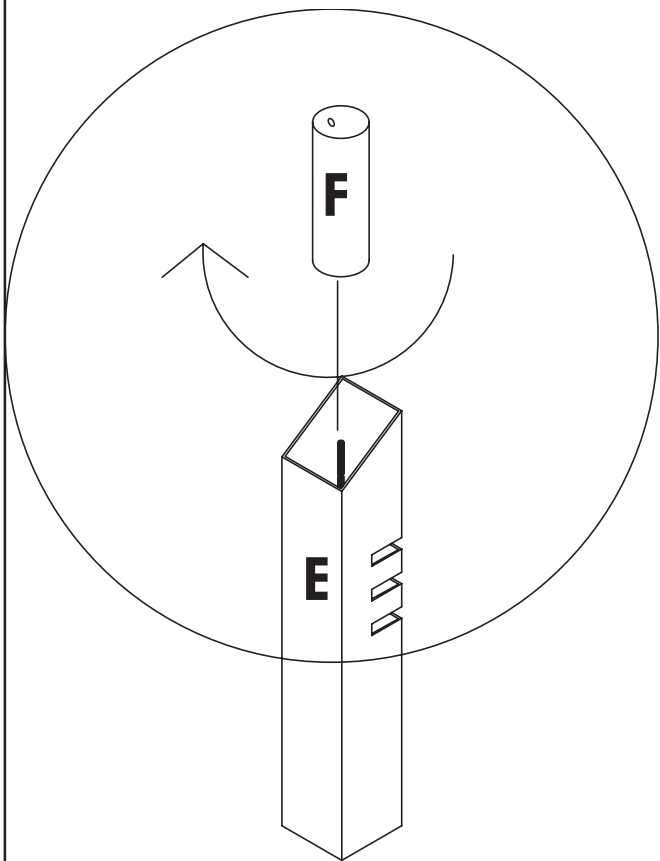
Q
(1 PC)



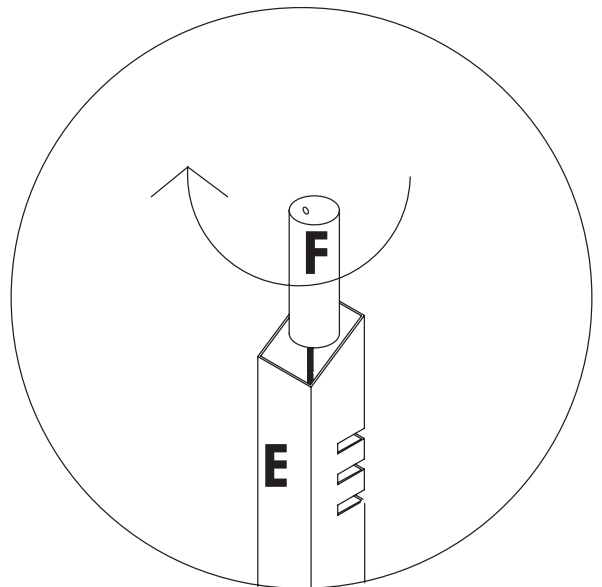
R
(1 PC)



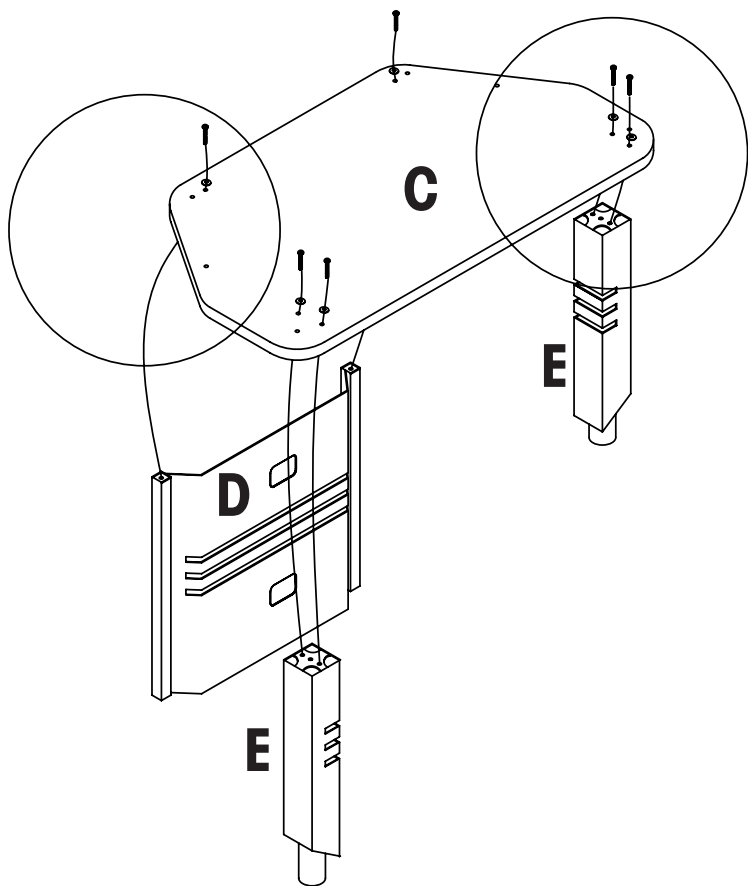
S
(1 PC)



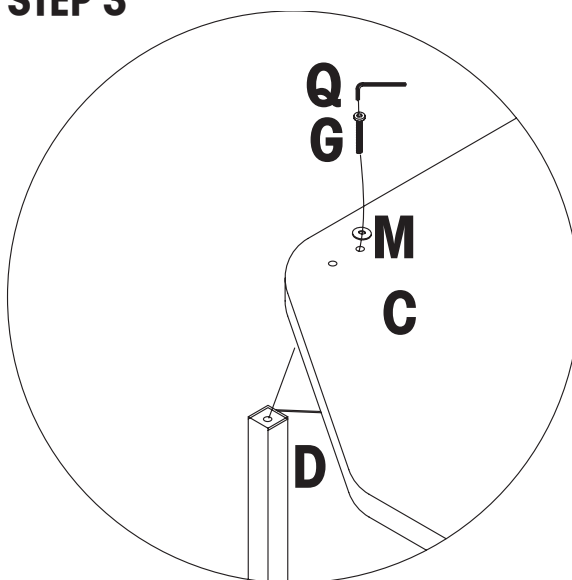
STEP 1



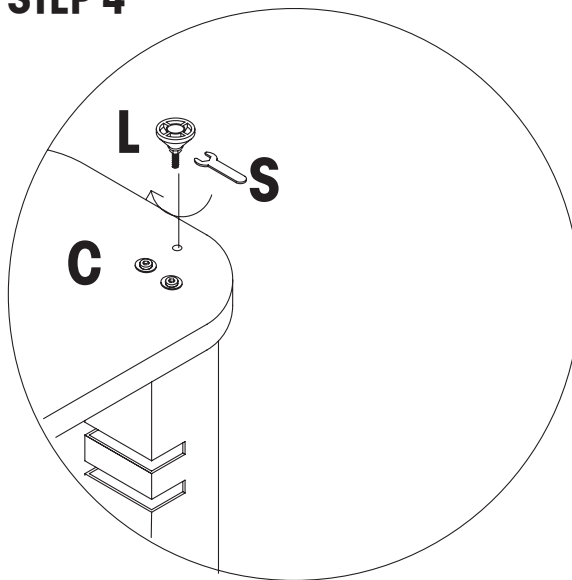
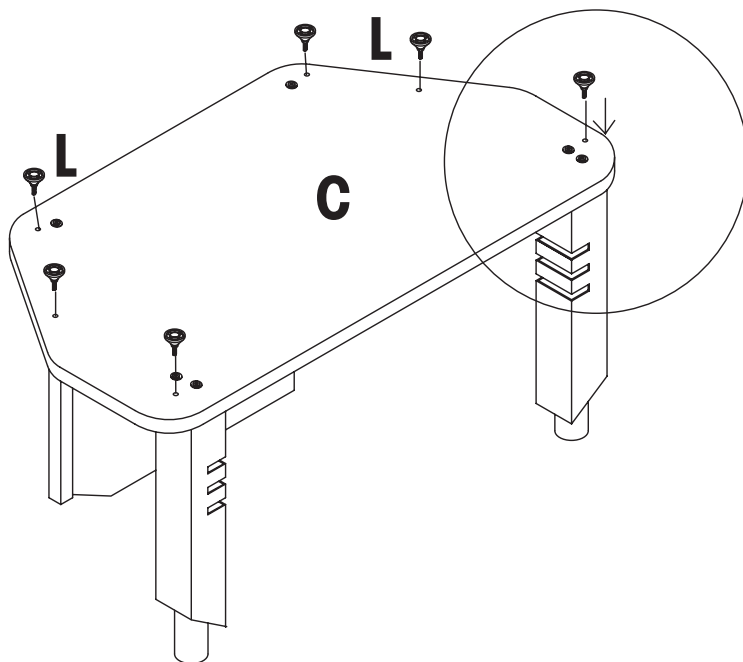
STEP 2

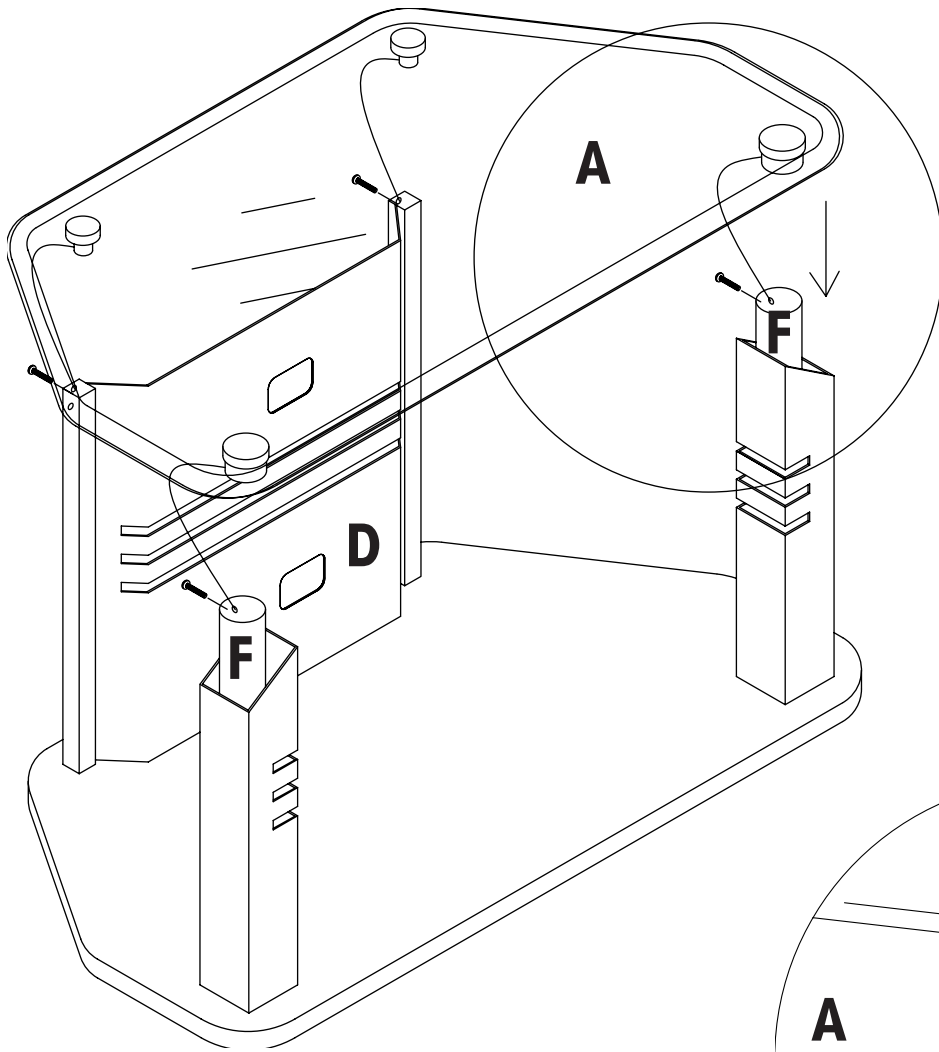


STEP 3

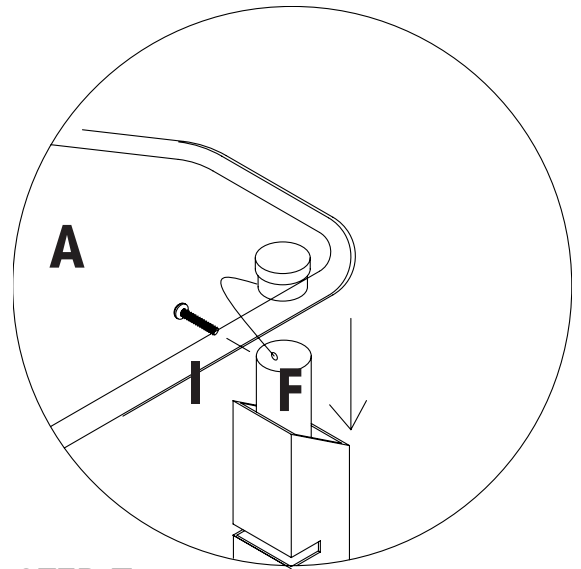


STEP 4



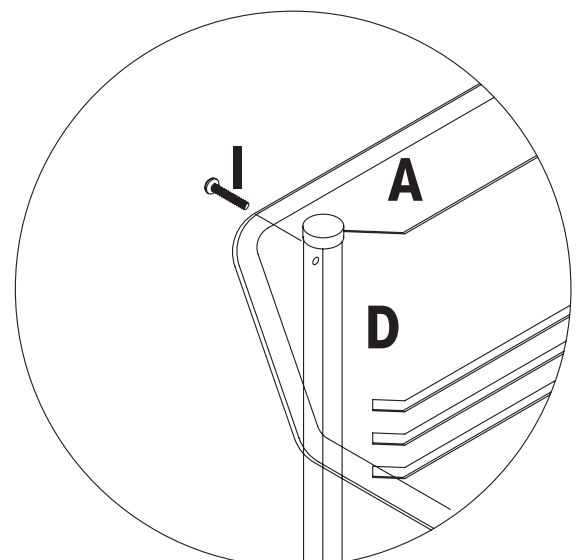
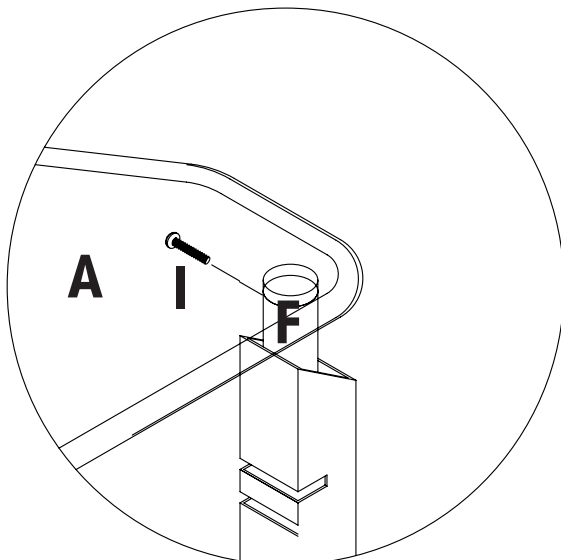


STEP 5

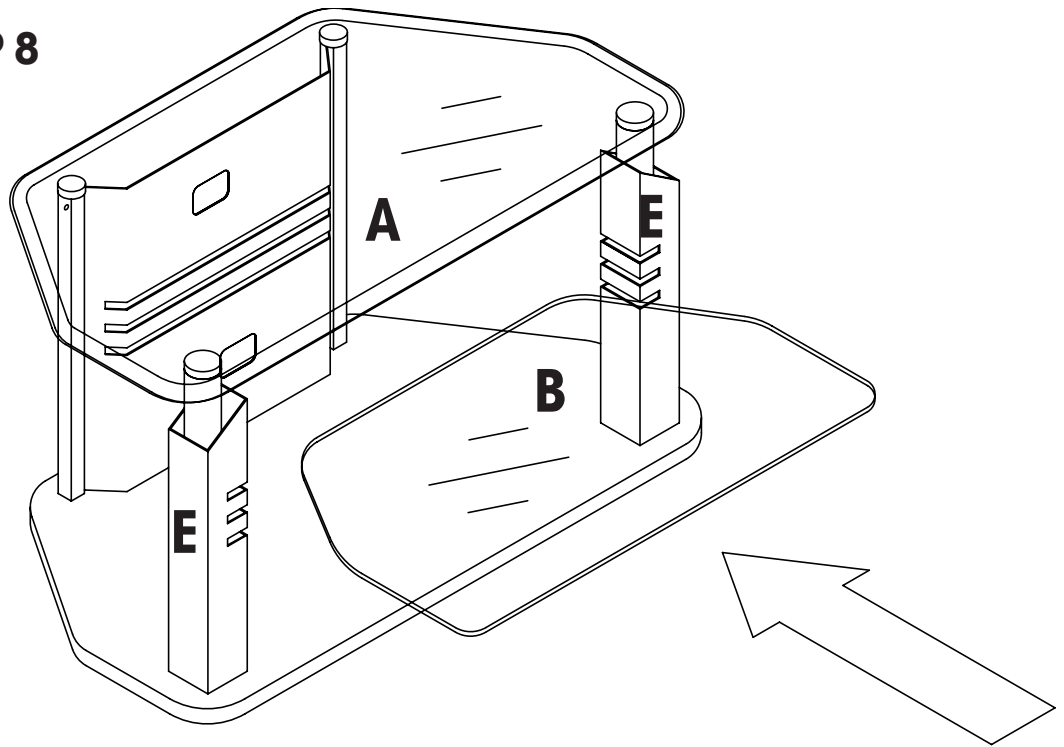


STEP 6

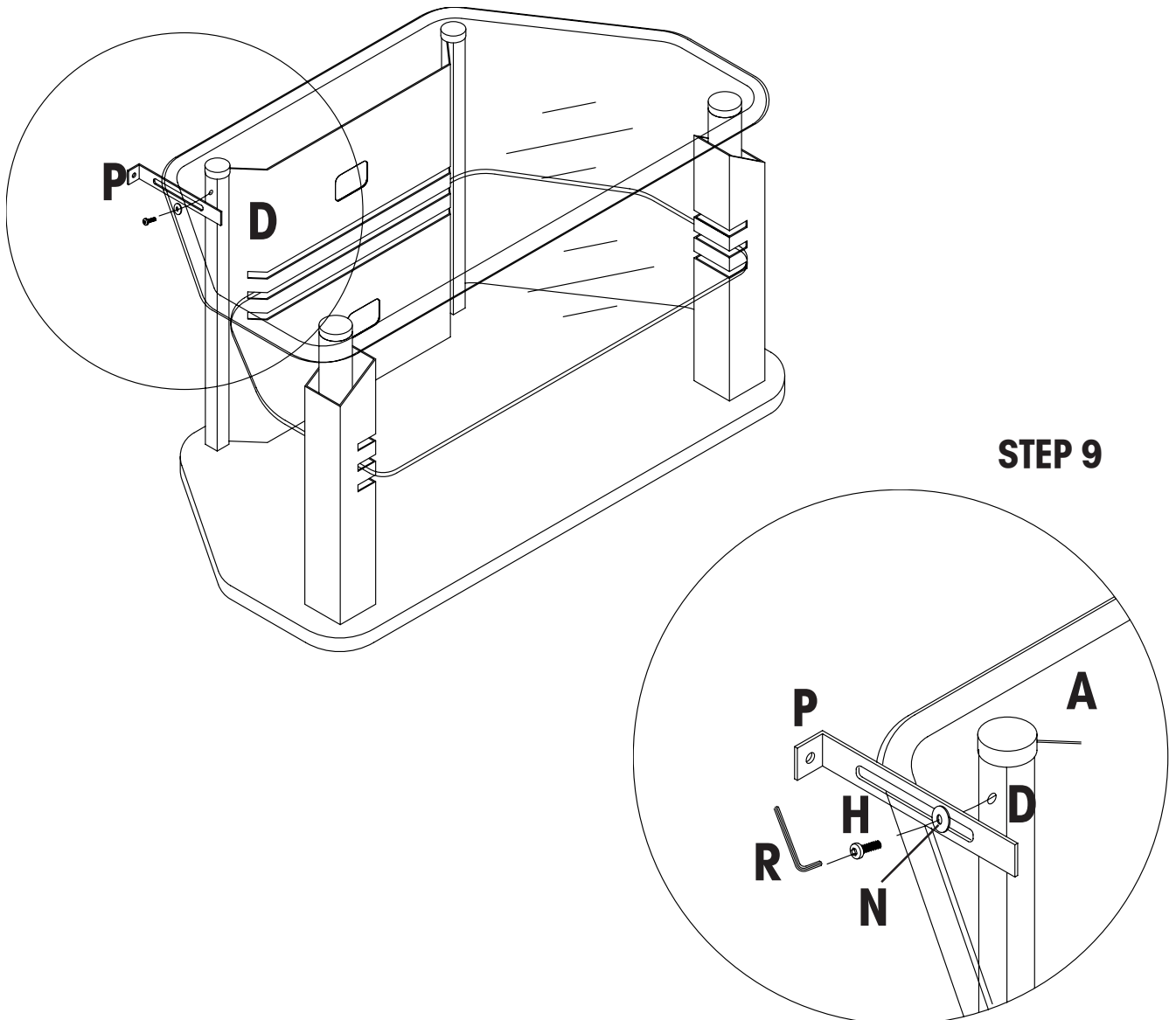
STEP 7



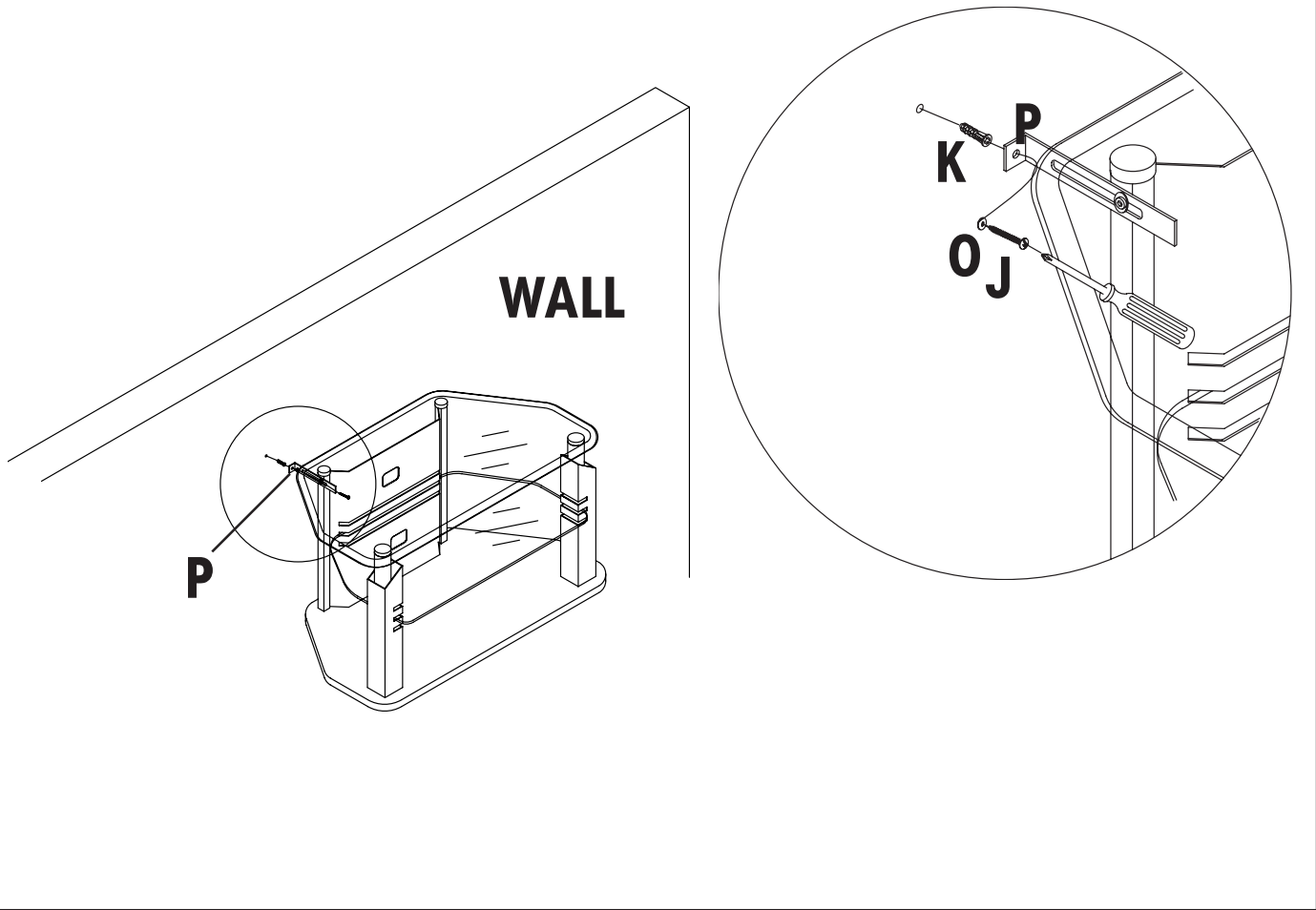
STEP 8



STEP 9



**TO PREVENT TIP OVER,
PRODUCT MUST BE ATTACHED TO WALL STEP 10**



IF YOU HAVE A PROBLEM, WE WANT TO HAVE THE OPPORTUNITY TO MAKE IT RIGHT!

Should there be any missing or defective part(s),
Fax this form to (310) 841-0842
 or call Customer Service at (800) 622-4456 or (310) 204-2224
 Have your model number and part code letter handy.

MODEL NO. 938-954

© 2005 Powell

Part Letter Description Quantity

Name _____
 Address _____

Daytime Phone () _____
 Reason for replacement _____

Place of purchase _____