



ASSEMBLY INSTRUCTIONS (DJ) MODEL NO. 938-700A(STAND) "SILVER"

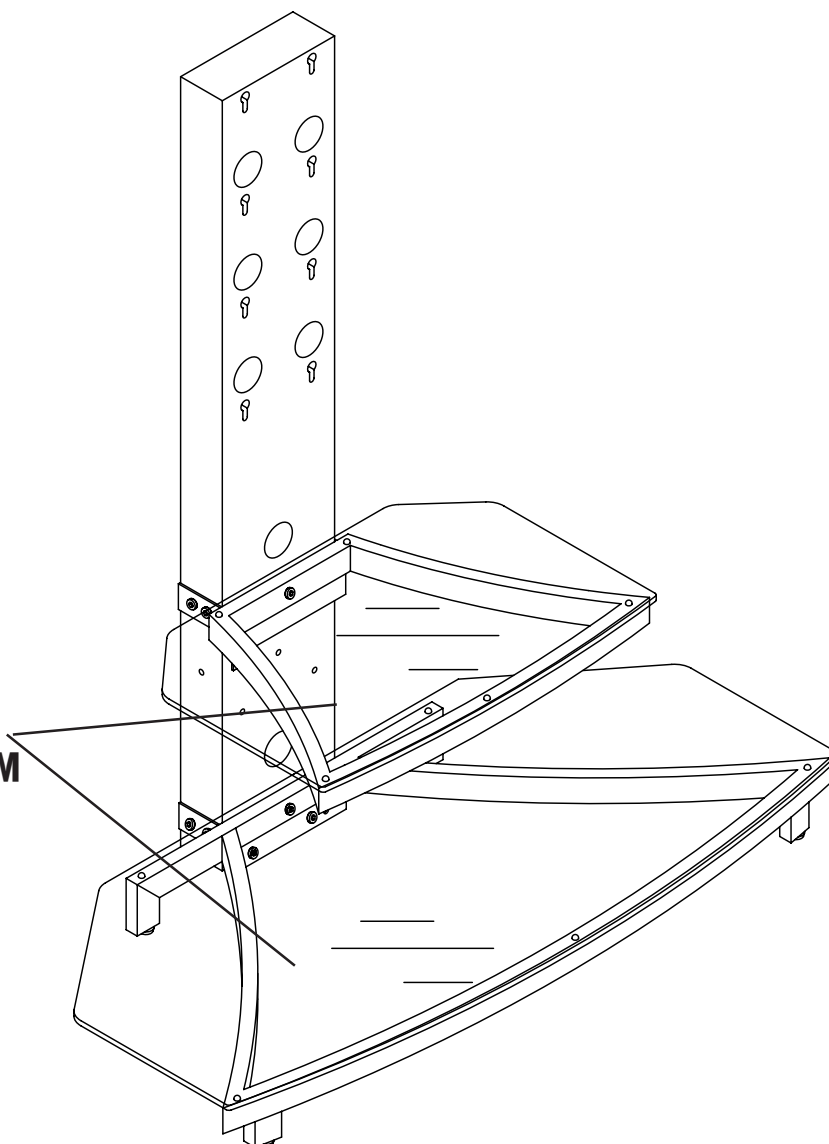
Made in China **686-700 (STAND) "BLACK"**

Thank you for purchasing this quality product. Be sure to check all packing material carefully for small parts which may have come loose inside the carton during shipment. Separate, identify, and count all parts and metal hardware. Compare with parts list and hardware illustrations to be sure all parts are present. If any part(s) are missing or damaged, phone, fax, or mail to our Customer Service Department. For efficient and speedy service, please indicate the model number and code letter of part(s) needed.

ATTENTION: SOME LETTERED PARTS LISTED ON THE INSTRUCTION SHEET MAY NOT BE IN PARTS BAG AS THEY MAY ALREADY BE ASSEMBLED. CAREFULLY CHECK PARTS AND PACKING MATERIALS PRIOR TO ORDERING REPLACEMENTS.

Tools Required for assembly: Phillips Screwdriver (not included); Allen Wrench (included).

**PRODUCT WEIGHING
75 POUNDS MAXIMUM**

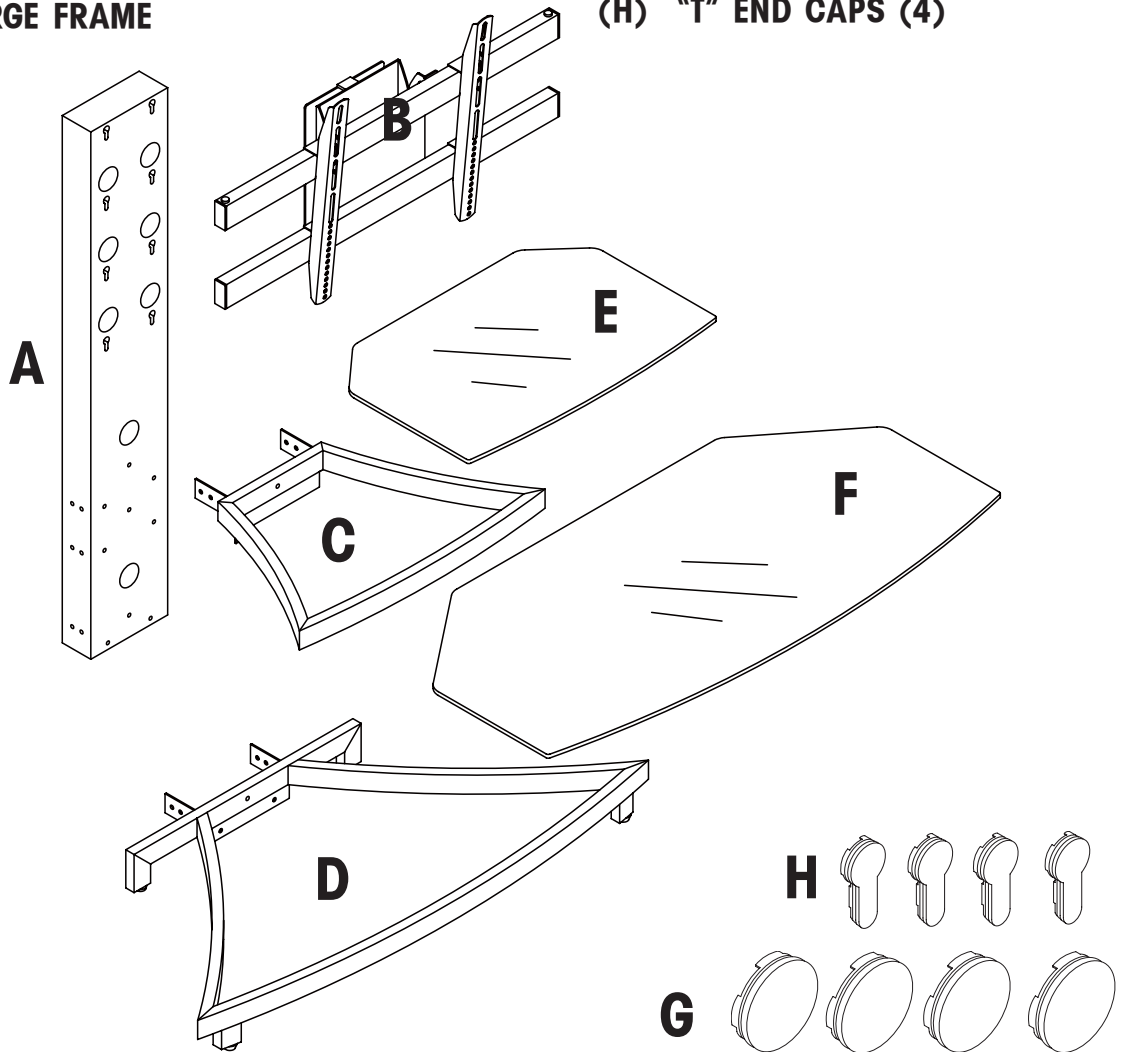


**! WARNING: TV SHOULD NOT EXCEED MAXIMUM SIZE OF 50 INCHES,
OR WEIGHT LIMIT OF 145 LBS, CENTER SHELF LOAD NOT
EXCEED 75 LBS.**

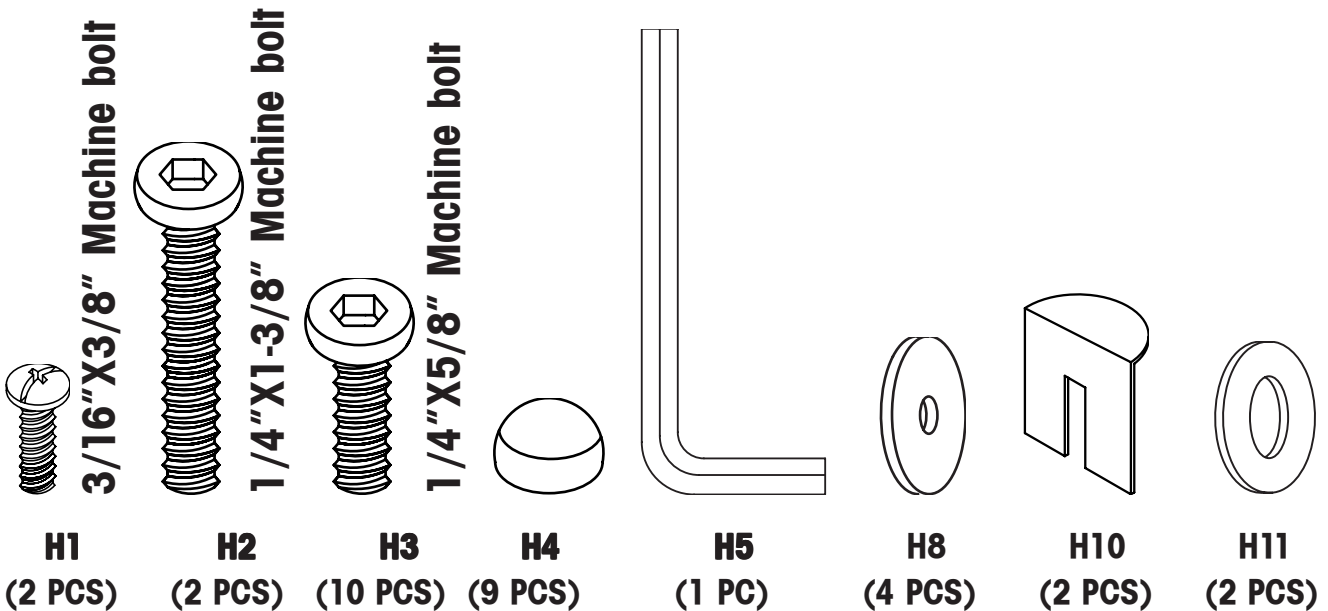
**! CAUTION - This stand is intended for use only with the products and
maximum weights indicated. use with other products or products heavier than the
maximum weights indicated may result in instability causing possible injury.**

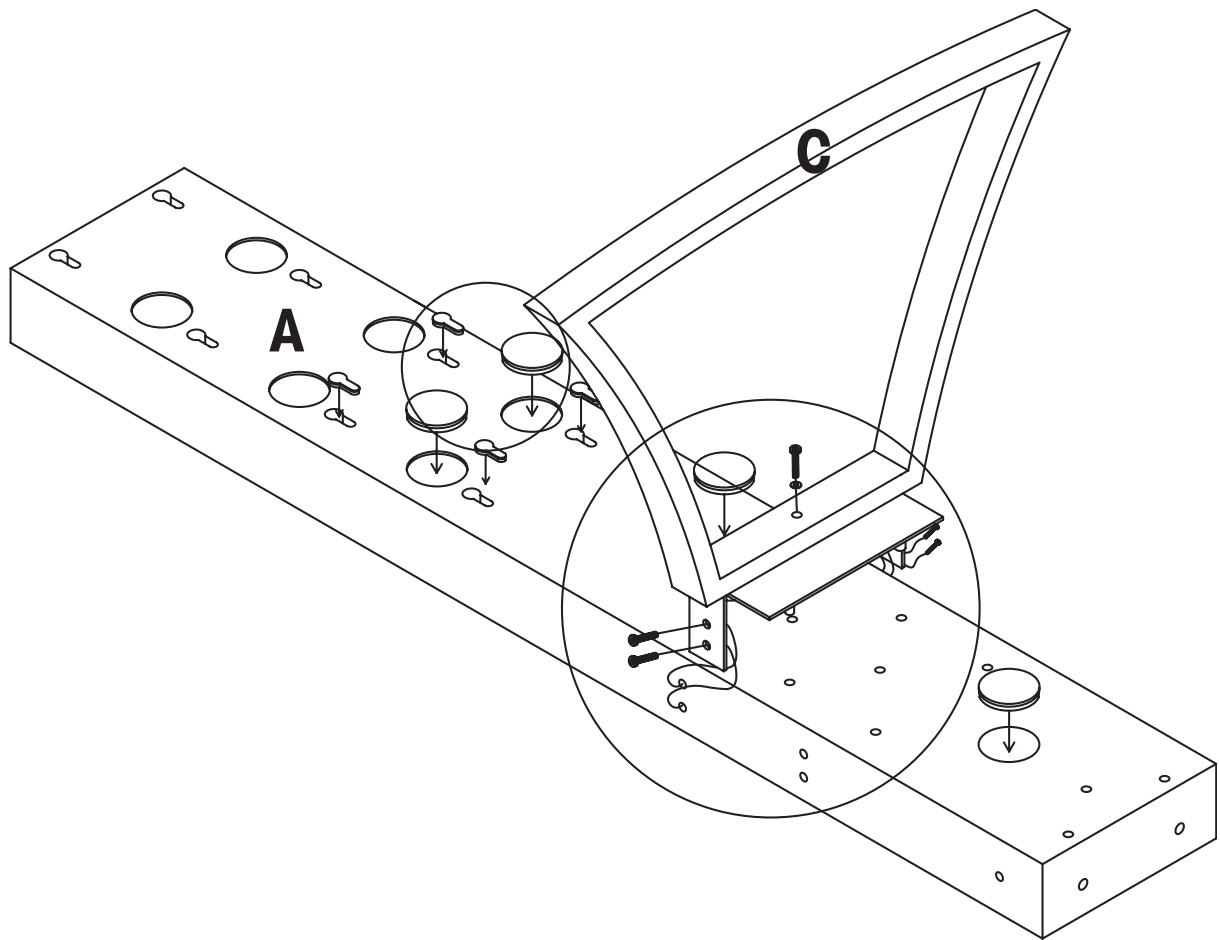
PARTS

- (A) POST
- (B) MONITOR BRACKET (NOT INCULDED)
- (C) SMALL FRAME
- (D) LARGE FRAME
- (E) SMALL SHELF
- (F) LARGE SHELF
- (G) ROUND END CAPS (4)
- (H) "T" END CAPS (4)



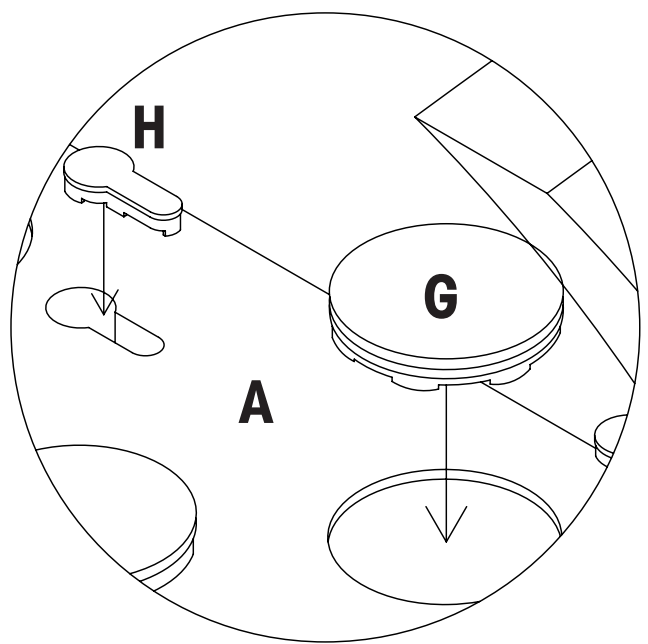
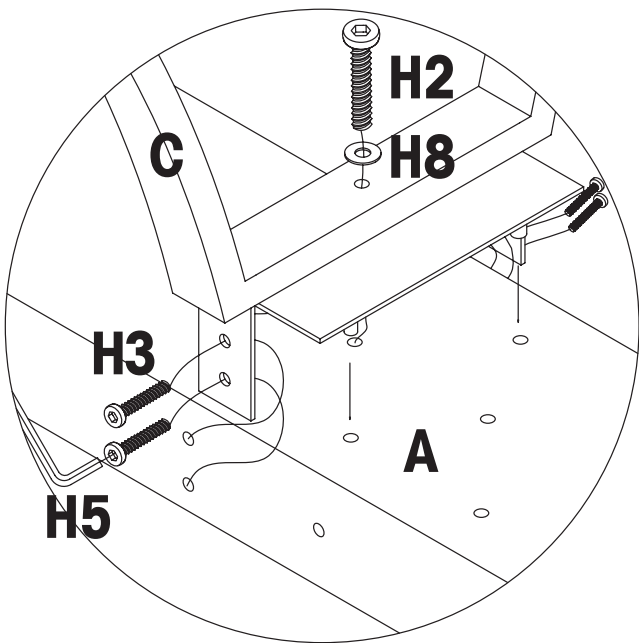
HARDWARE

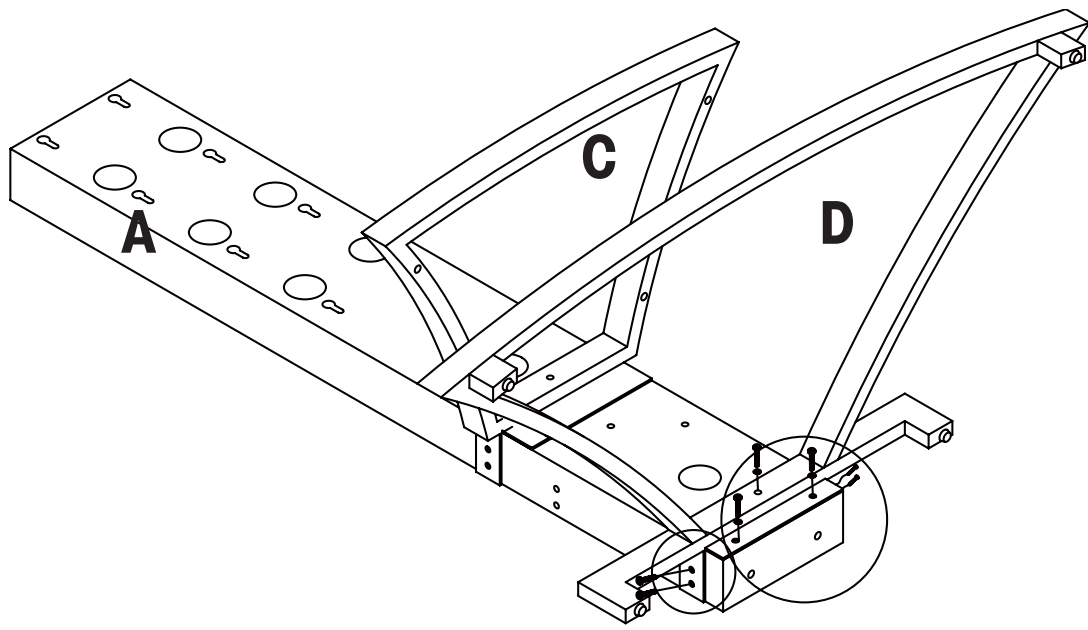




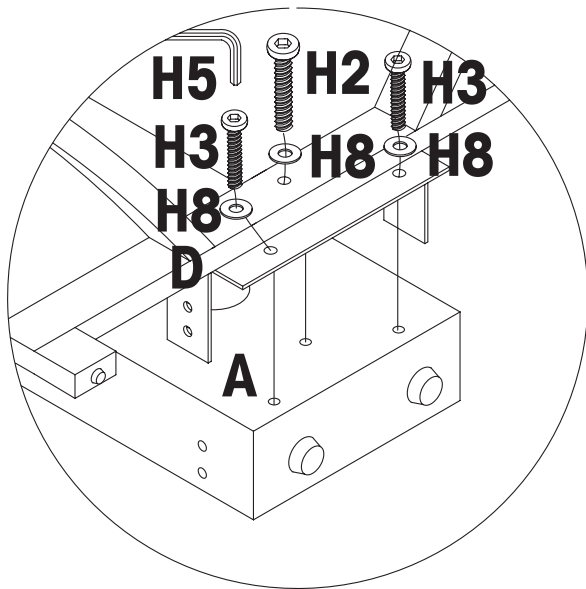
STEP 1A

STEP 1B

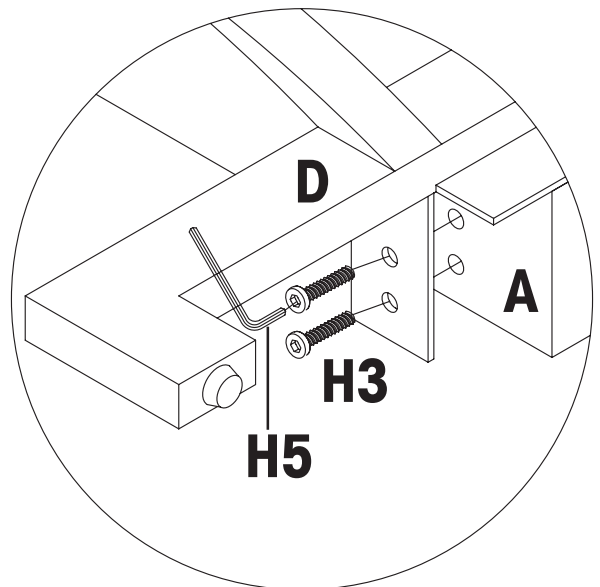




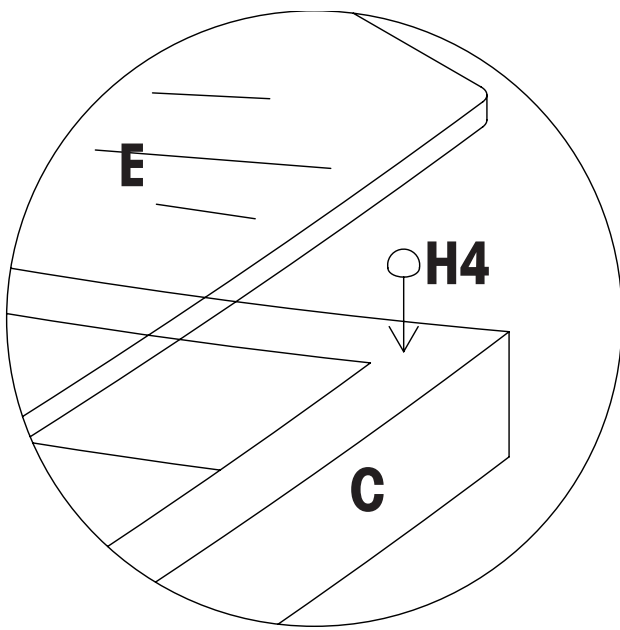
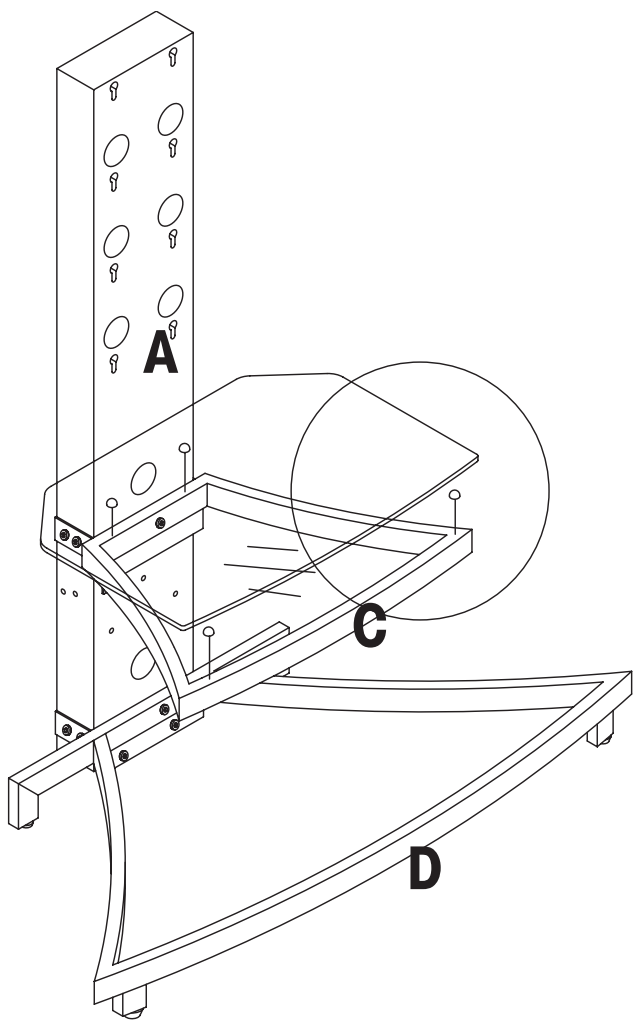
STEP 1C



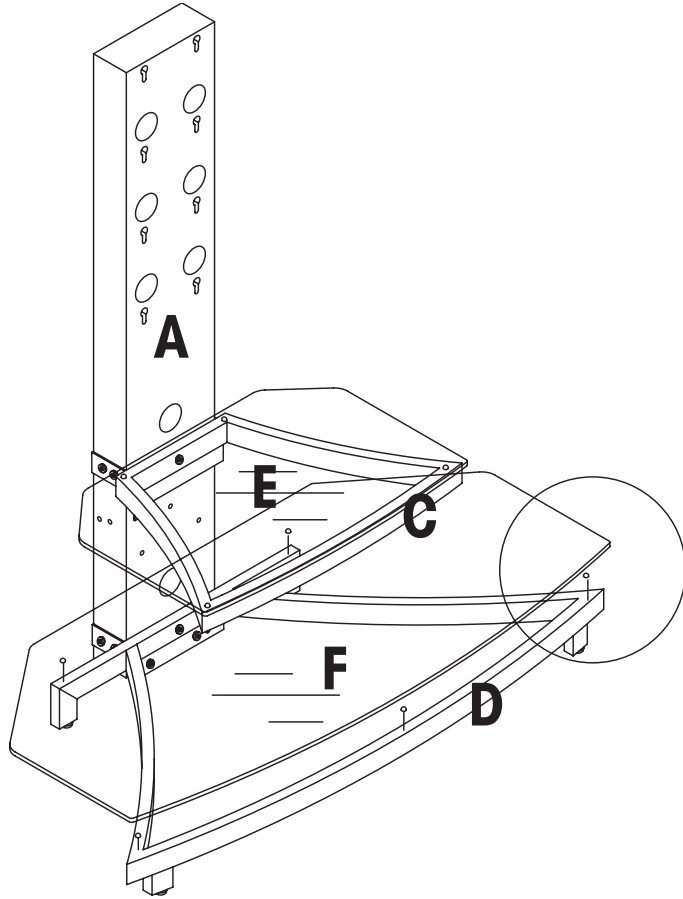
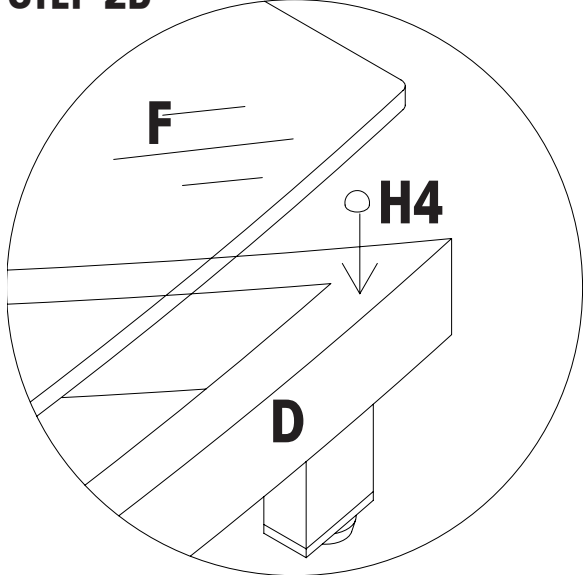
STEP 1D



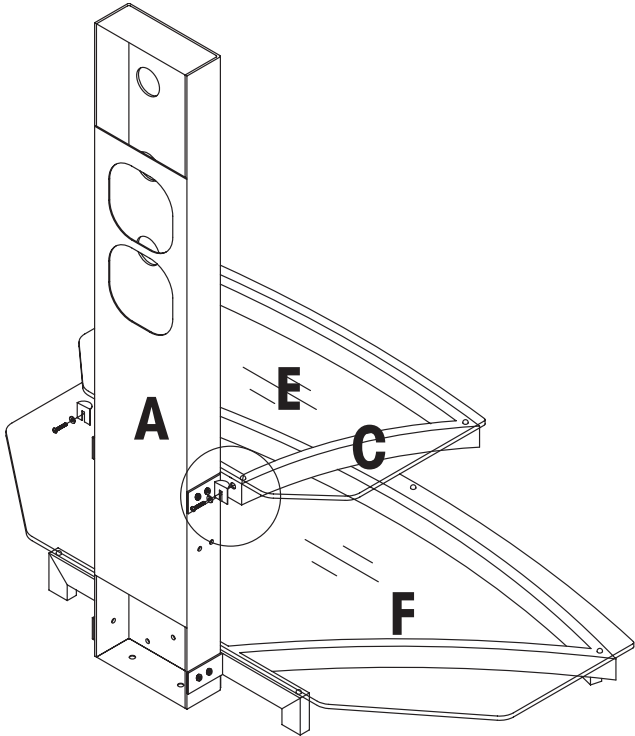
STEP 2A



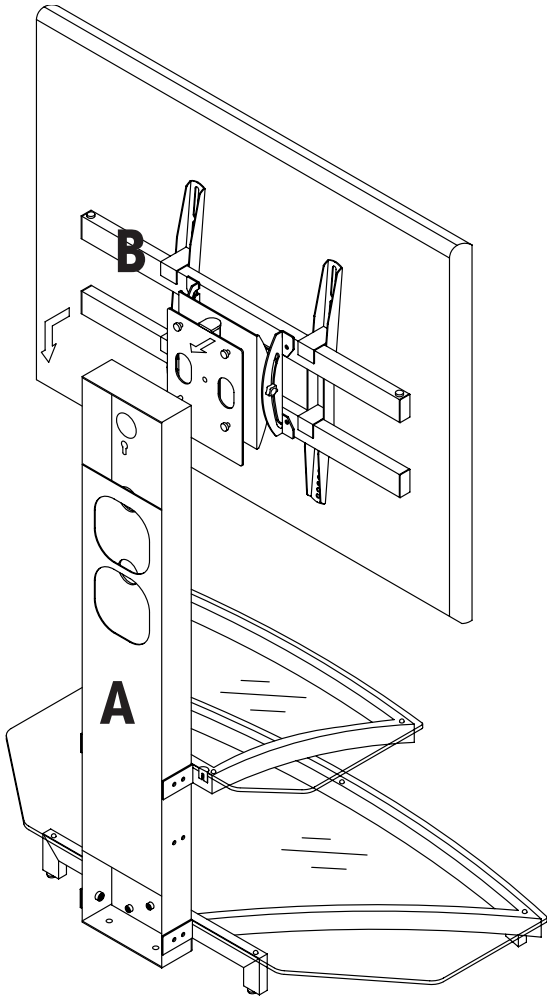
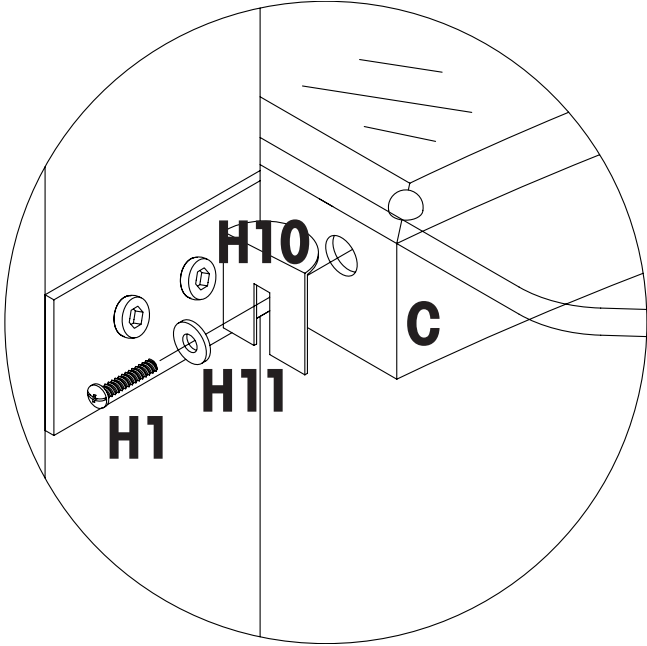
STEP 2B



STEP 2D



STEP 2C



IF YOU HAVE A PROBLEM, WE WANT TO HAVE THE OPPORTUNITY TO MAKE IT RIGHT!

Should there be any missing or defective part(s),
Fax this form to (310) 841-0842
 or call Customer Service at (800) 622-4456 or (310) 204-2224
 Have your model number and part code letter handy.

MODEL NO. 938-700A(STAND) "SILVER"
686-700 (STAND) "BLACK"

© 2006 Powell

Part Letter	Description	Quantity

Name _____
 Address _____

 Daytime Phone () _____
 Reason for replacement _____

 Place of purchase _____