



ASSEMBLY INSTRUCTIONS (DJ)
MODEL NO. 938-700A(BRACKET) "SILVER"

Made in China **686-700 (BRACKET)** "BLACK"

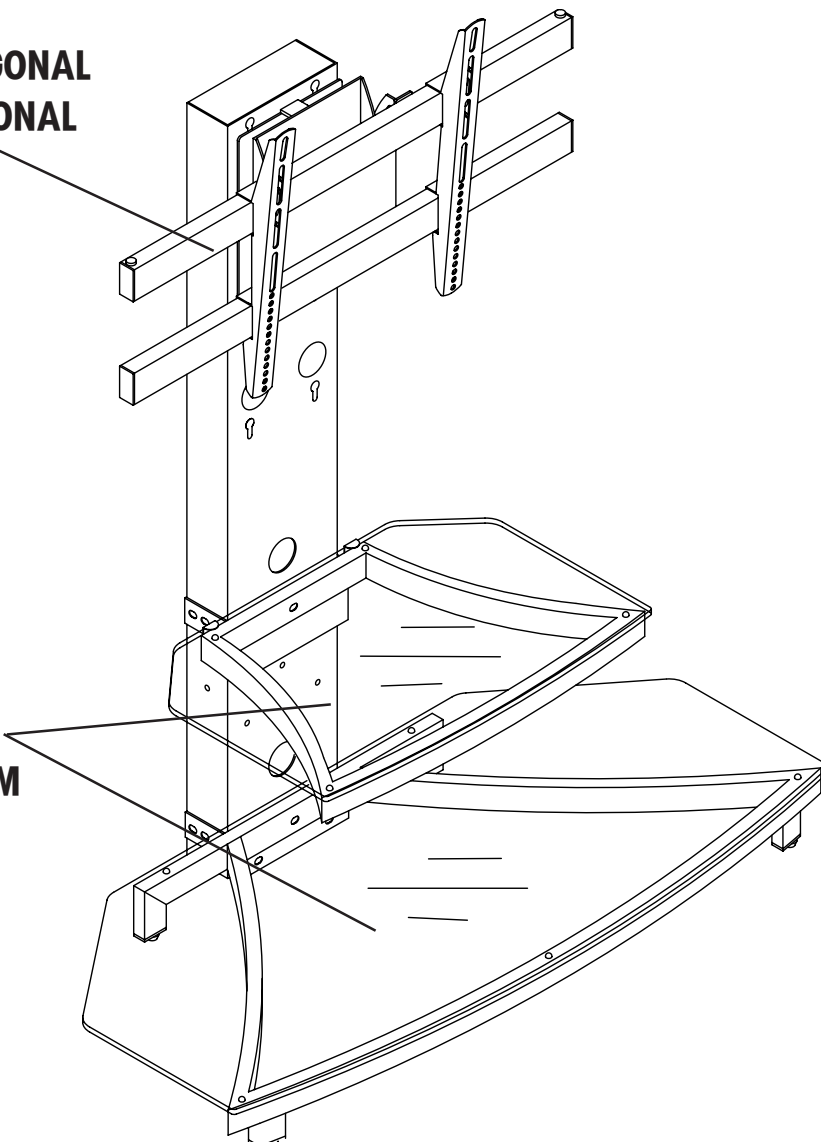
Thank you for purchasing this quality product. Be sure to check all packing material carefully for small parts which may have come loose inside the carton during shipment. Separate, identify, and count all parts and metal hardware. Compare with parts list and hardware illustrations to be sure all parts are present. If any part(s) are missing or damaged, phone, fax, or mail to our Customer Service Department. For efficient and speedy service, please indicate the model number and code letter of part(s) needed.

ATTENTION: SOME LETTERED PARTS LISTED ON THE INSTRUCTION SHEET MAY NOT BE IN PARTS BAG AS THEY MAY ALREADY BE ASSEMBLED. CAREFULLY CHECK PARTS AND PACKING MATERIALS PRIOR TO ORDERING REPLACEMENTS.

Tools Required for assembly: Phillips Screwdriver (not included); Allen Wrench (included).

FLAT PANEL TELEVISION
MAXIMUM 50 INCH DIAGONAL
MINIMUM 27 INCH DIAGONAL
145 POUNDS MAXIMUM

PRODUCT WEIGHING
75 POUNDS MAXIMUM

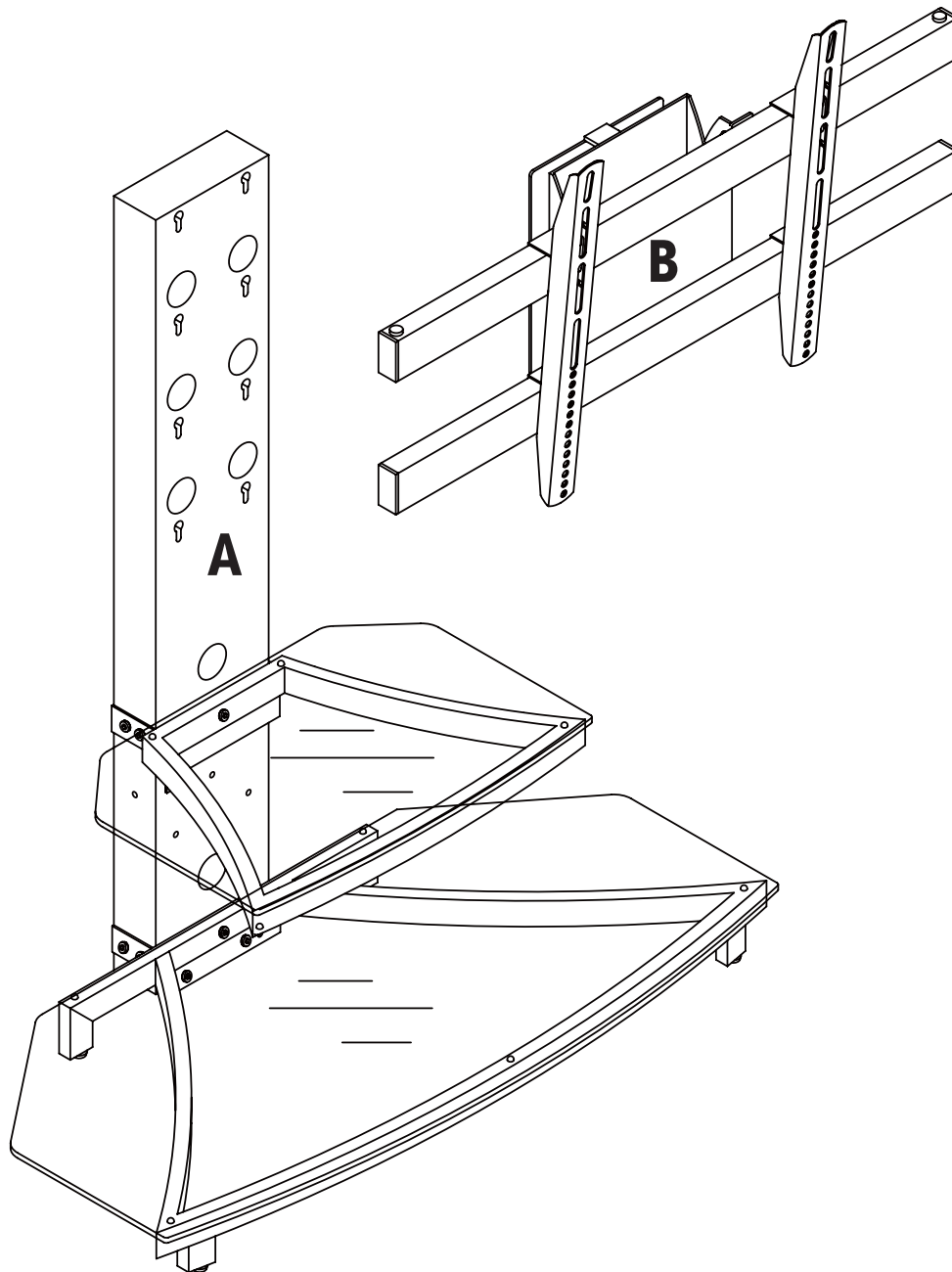


! WARNING: TV SHOULD NOT EXCEED MAXIMUM SIZE OF 50 INCHES, OR WEIGHT LIMIT OF 145 LBS, CENTER SHELF LOAD NOT EXCEED 75 LBS.

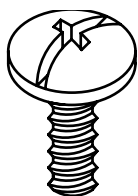
! CAUTION - This stand is intended for use only with the products and maximum weights indicated. use with other products or products heavier than the maximum weights indicated may result in instability causing possible injury.

PARTS

- (A) STAND (SEE SEPARATE ASSEMBLY)
- (B) MONITOR BRACKET

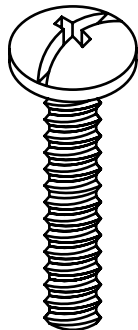


TV ASSEMBLY HARDWARE



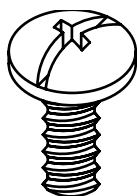
5/32"X1/2" Machine bolt

T1
(4 PCS)



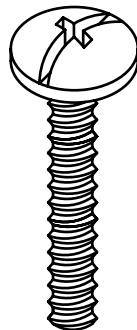
5/32"X1-3/16" Machine bolt

T2
(4 PCS)



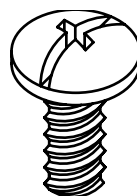
3/16"X1/2" Machine bolt

T3
(4 PCS)



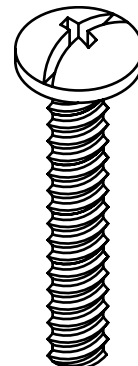
3/16"X1-3/16" Machine bolt

T4
(4 PCS)



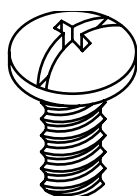
1/4"X1/2" Machine bolt

T5
(4 PCS)



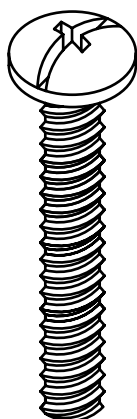
1/4"X1-3/8" Machine bolt

T6
(4 PCS)



5/16"X5/8" Machine bolt

T7
(4 PCS)



5/16"X1-5/8" Machine bolt

T8
(4 PCS)



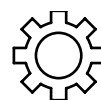
8 MM LOCK WASHER

T9
(4 PCS)



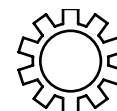
10 MM LOCK WASHER

T10
(4 PCS)



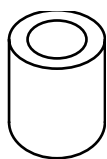
12 MM LOCK WASHER

T11
(4 PCS)

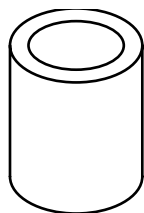


15 MM LOCK WASHER

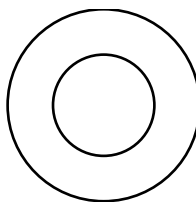
T12
(4 PCS)



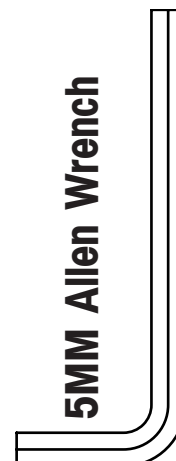
T13
(4 PCS)



T14
(4 PCS)



T15
(8 PCS)



5MM Allen Wrench

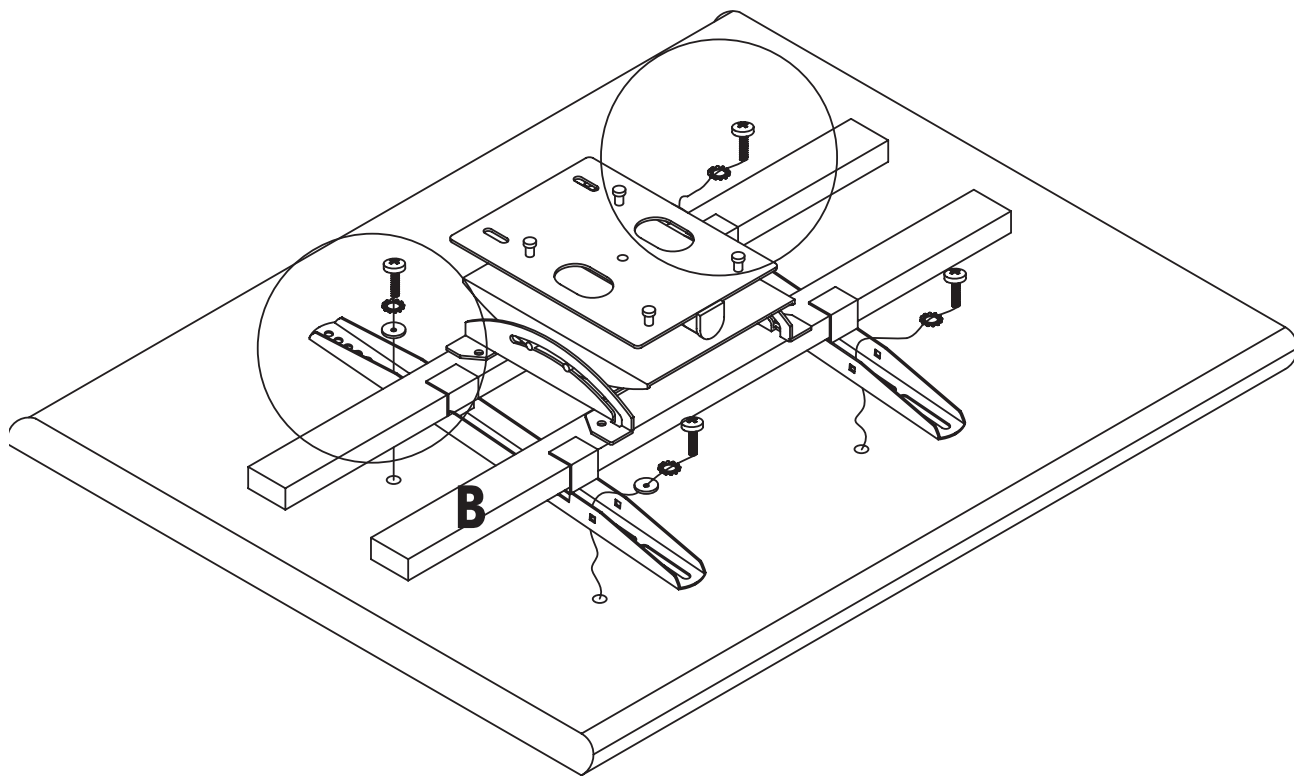
T16
(1 PC)

CHOOSE THE APPROPRIATE SIZE "T" HARDWARE PARTS WHEN ASSEMBLING YOUR TV TO MONITOR BRACKET (B)

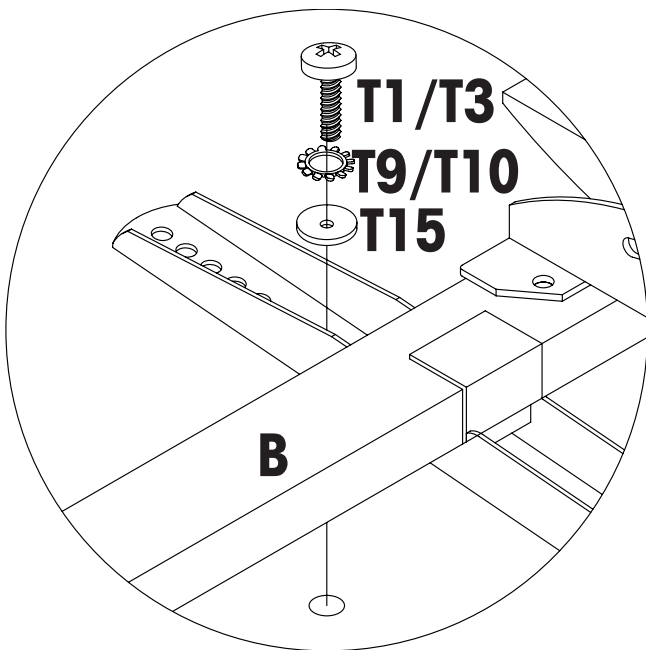
ATTACHING THE MONITOR BRACKETS TO A TV WITH A FLAT BACK

Can mount four different types of flat TV back.

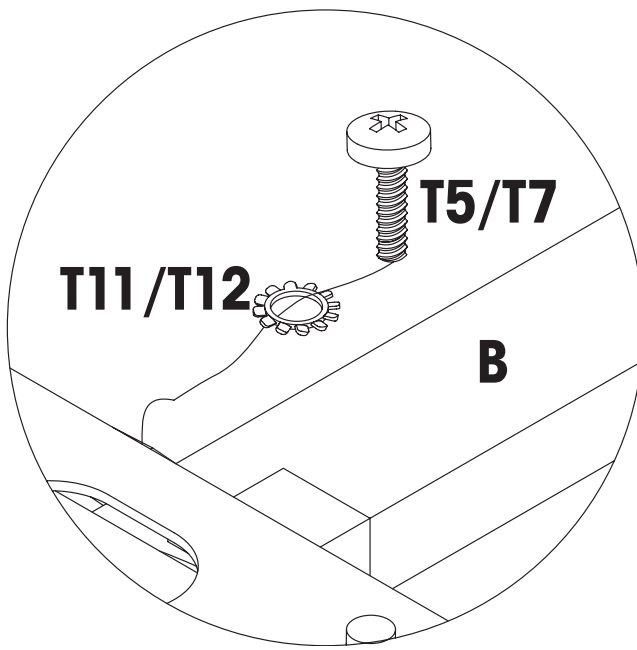
1. (T1), (T9), (T15) can mount all 4 holes location (left, right, top, bottom).
2. (T3), (T10), (T15) can mount all 4 holes location (left, right, top, bottom).
3. (T5), (T11) can mount all 4 holes location (left, right, top, bottom).
4. (T7), (T12) can mount all 4 holes location (left, right, top, bottom).



STEP 1A



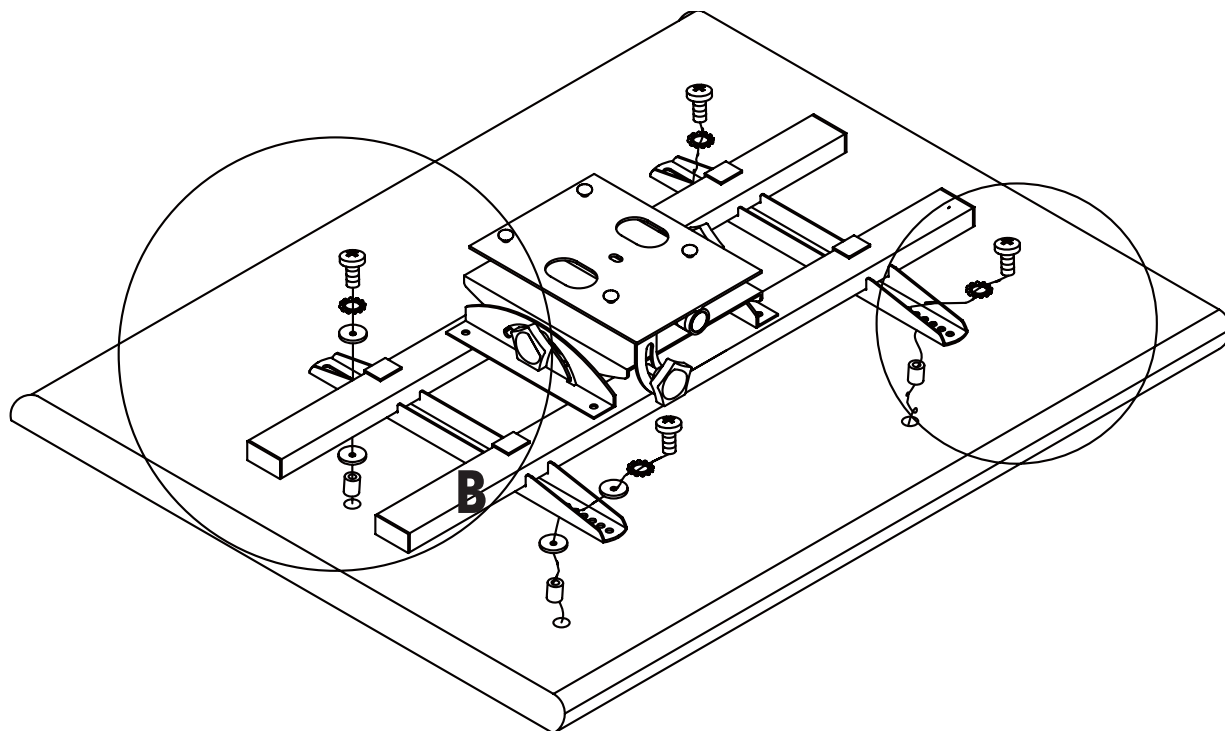
STEP 1B



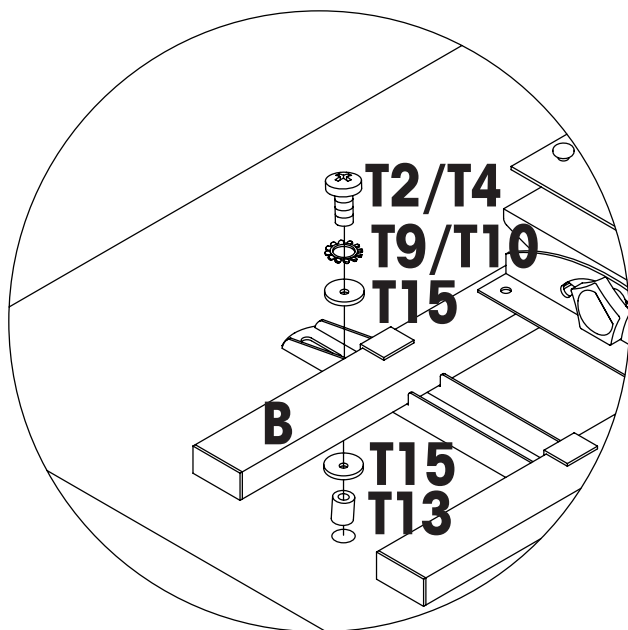
ATTACHING THE MONITOR BRACKETS TO A TV WITH A CURVED BACK

Can mount four different types of curved TV back.

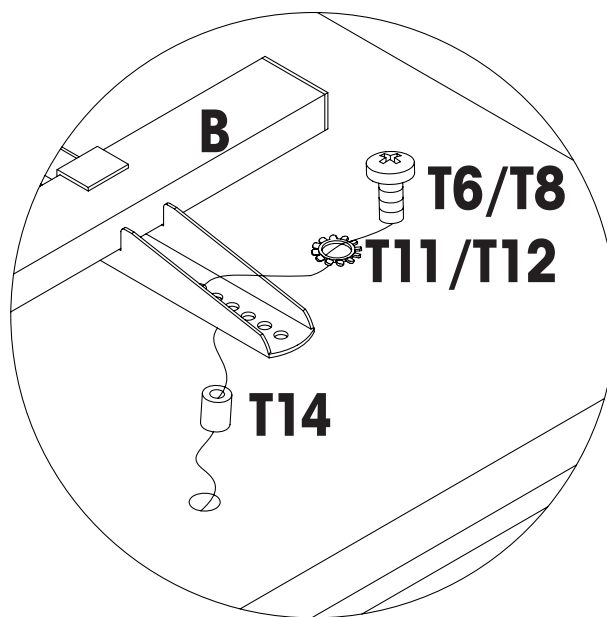
1. (T2), (T9), (T15), (T13) can mount all 4 holes location (left, right, top, bottom).
2. (T4), (T10), (T15), (T13) can mount all 4 holes location (left, right, top, bottom).
3. (T6), (T11), (T14) can mount all 4 holes location (left, right, top, bottom).
4. (T8), (T12), (T14) can mount all 4 holes location (left, right, top, bottom).



STEP 1C



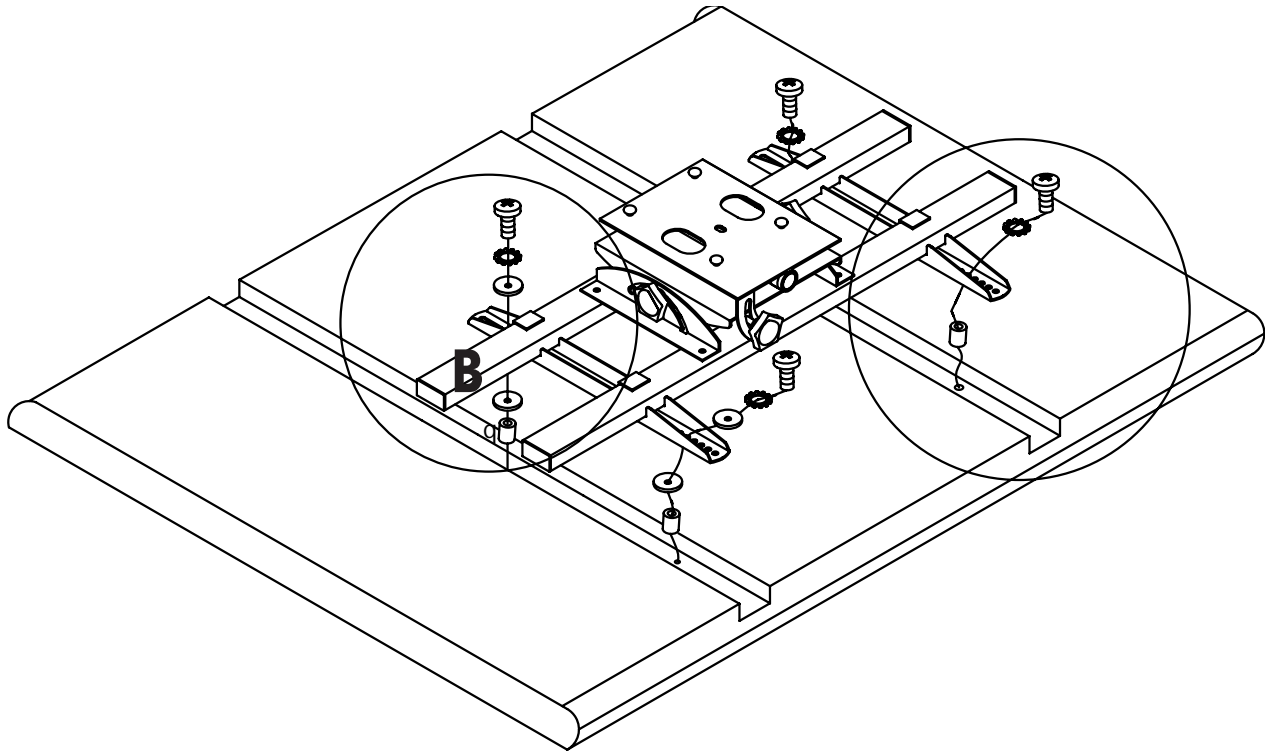
STEP 1D



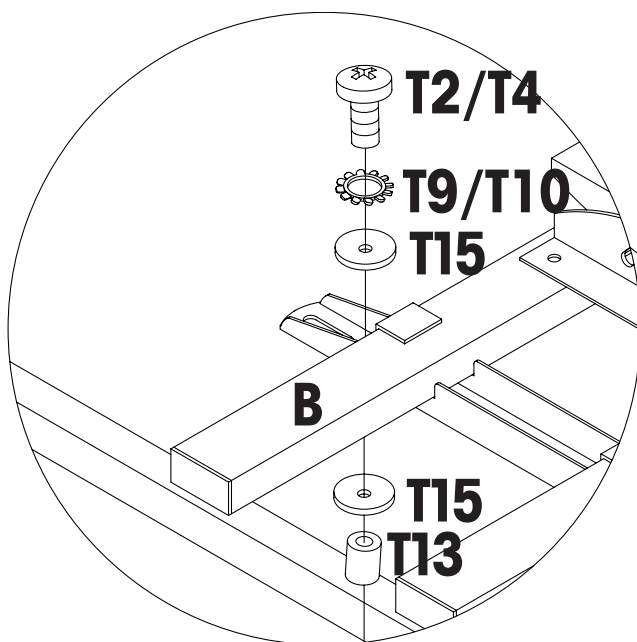
ATTACHING THE MONITOR BRACKETS TO A TV WITH RECESSED THREADED INSERTS

Can mount four different types of recessed TV back.

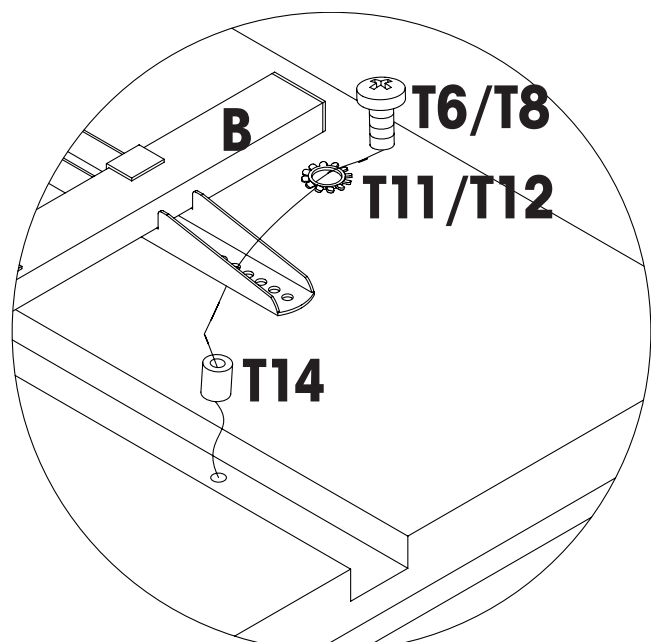
1. (T2), (T9), (T15), (T13) can mount all 4 holes location (left, right, top, bottom).
2. (T4), (T10), (T15), (T13) can mount all 4 holes location (left, right, top, bottom).
3. (T6), (T11), (T14) can mount all 4 holes location (left, right, top, bottom).
4. (T8), (T12), (T14) can mount all 4 holes location (left, right, top, bottom).



STEP 1E

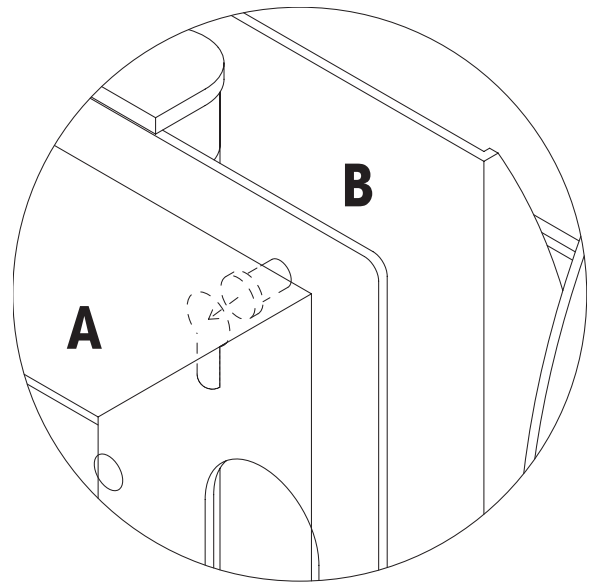
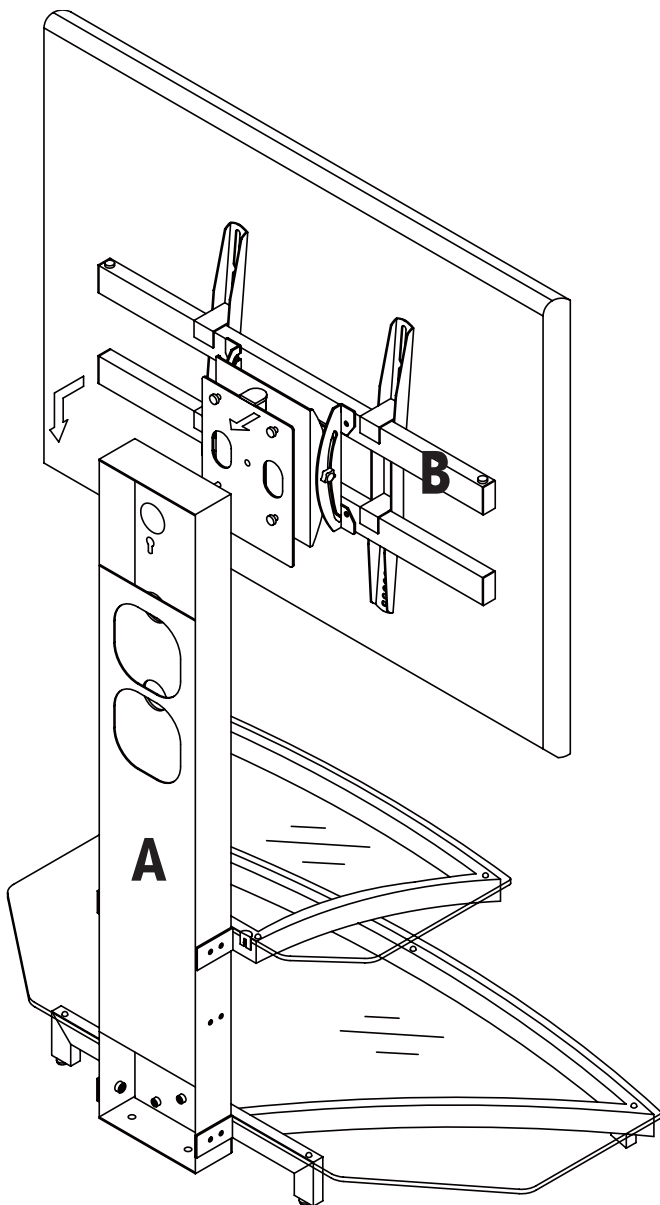


STEP 1F

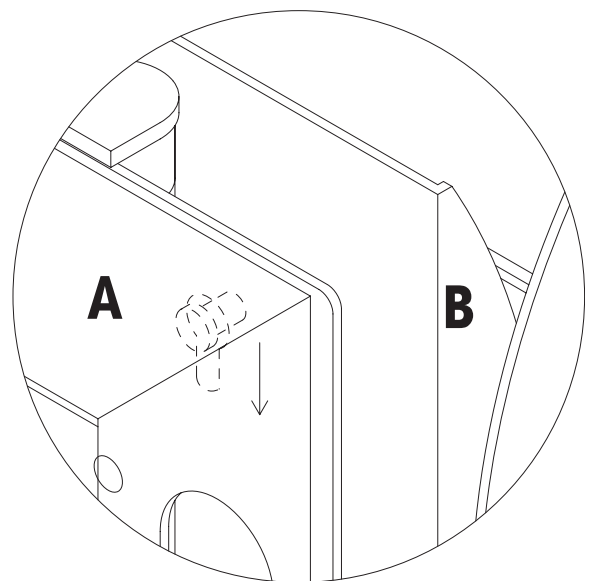


POSITION OF PARTS (B) AND SMALL SHELF ARE ADJUSTABLE WHEN ASSEMBLING TO (A).

STEP 2A

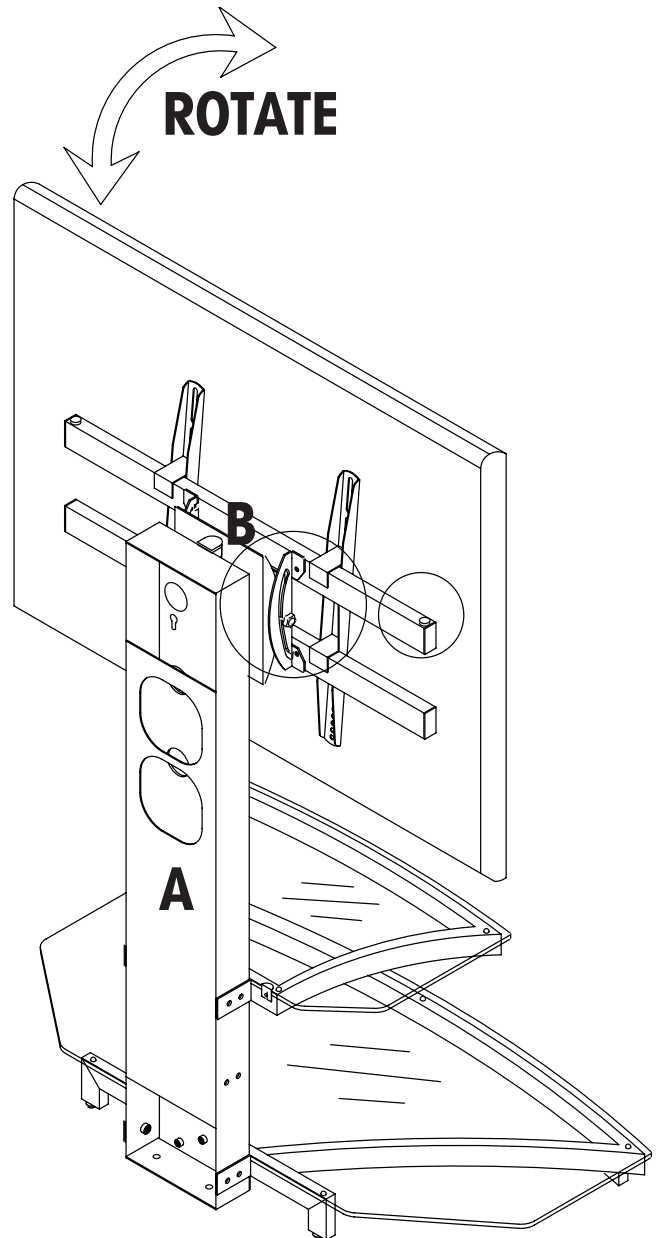
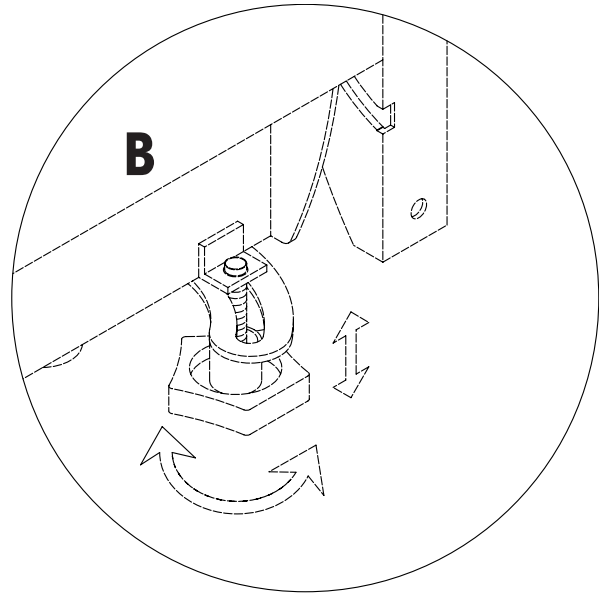
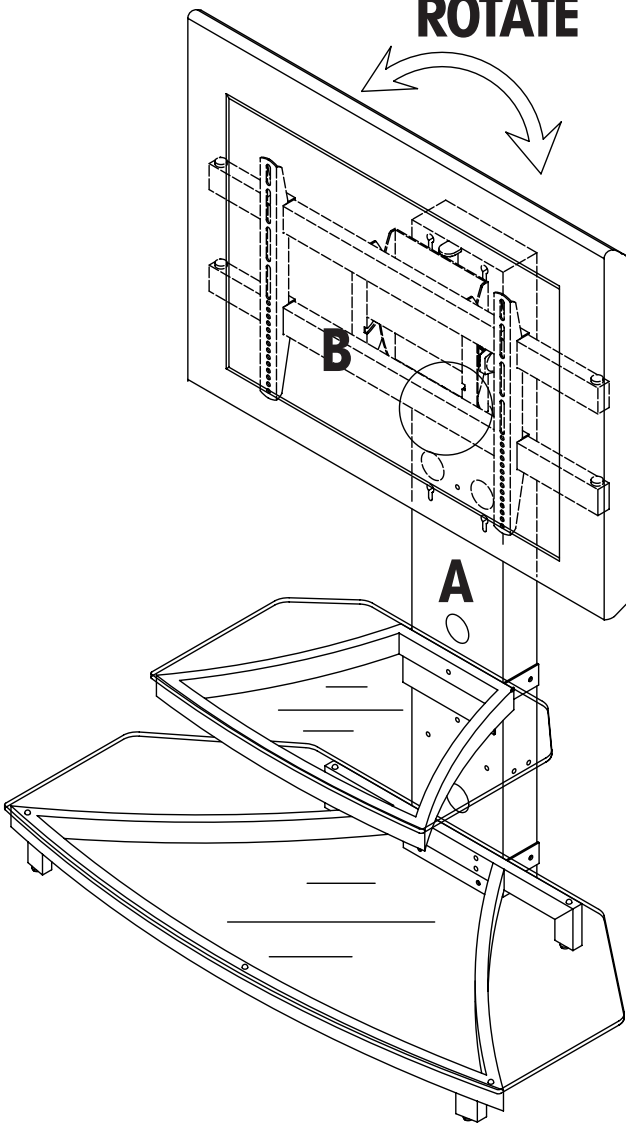


STEP 2B



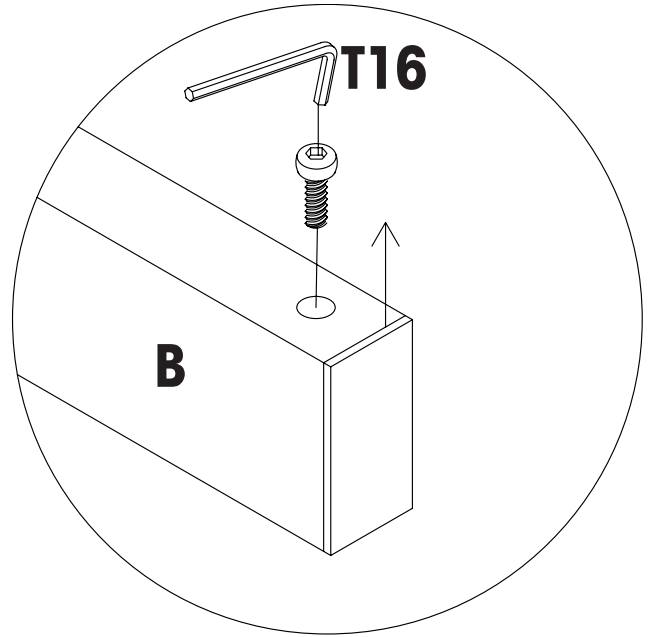
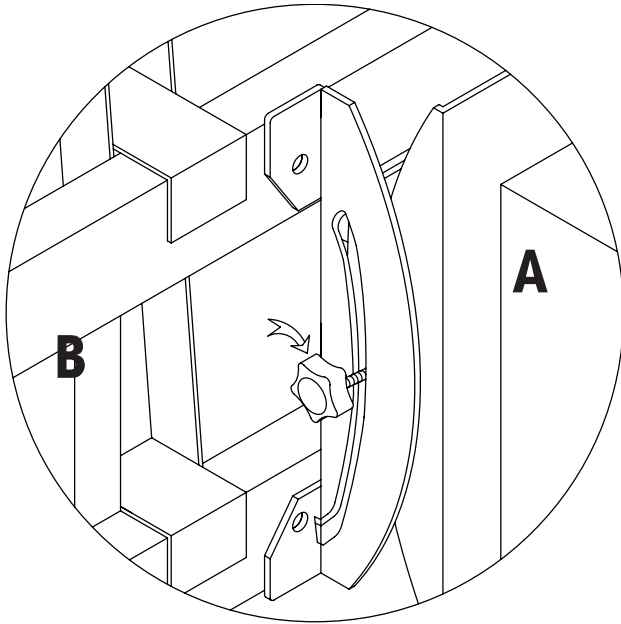
ROTATE

STEP 2C



STEP 2D

STEP 2E



THIS STEP IS TO PREVENT MONITOR BRACKETS (B) FROM SLIDING OFF END OF TRACKS ACCIDENTALLY.

IF YOU HAVE A PROBLEM, WE WANT TO HAVE THE OPPORTUNITY TO MAKE IT RIGHT!

Should there be any missing or defective part(s),
Fax this form to (310) 841-0842
 or call Customer Service at (800) 622-4456 or (310) 204-2224
 Have your model number and part code letter handy.

MODEL NO. 938-700A(BRACKET) "SILVER"
686-700 (BRACKET) "BLACK"

© 2006 Powell

Part Letter	Description	Quantity

Name _____
 Address _____

 Daytime Phone () _____
 Reason for replacement _____

 Place of purchase _____