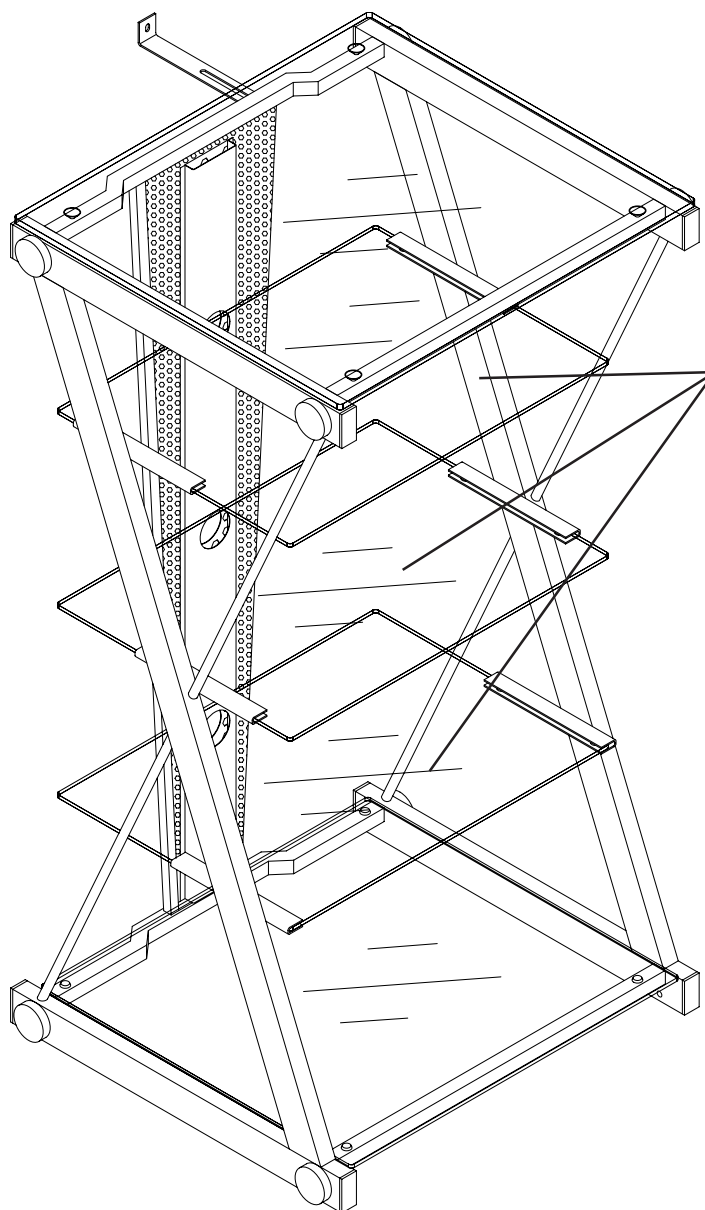


Thank you for purchasing this quality product. Be sure to check all packing material carefully for small parts which may have come loose inside the carton during shipment. Separate, identify, and count all parts and metal hardware. Compare with parts list and hardware illustrations to be sure all parts are present. If any part(s) are missing or damaged, phone, fax, or mail to our Customer Service Department. For efficient and speedy service, please indicate the model number and code letter of part(s) needed.

ATTENTION: SOME LETTERED PARTS LISTED ON THE INSTRUCTION SHEET MAY NOT BE IN PARTS BAG AS THEY MAY ALREADY BE ASSEMBLED. CAREFULLY CHECK PARTS AND PACKING MATERIALS PRIOR TO ORDERING REPLACEMENTS.

Tools Required for assembly: Phillips Screwdriver (not included); Allren Wrench (included).



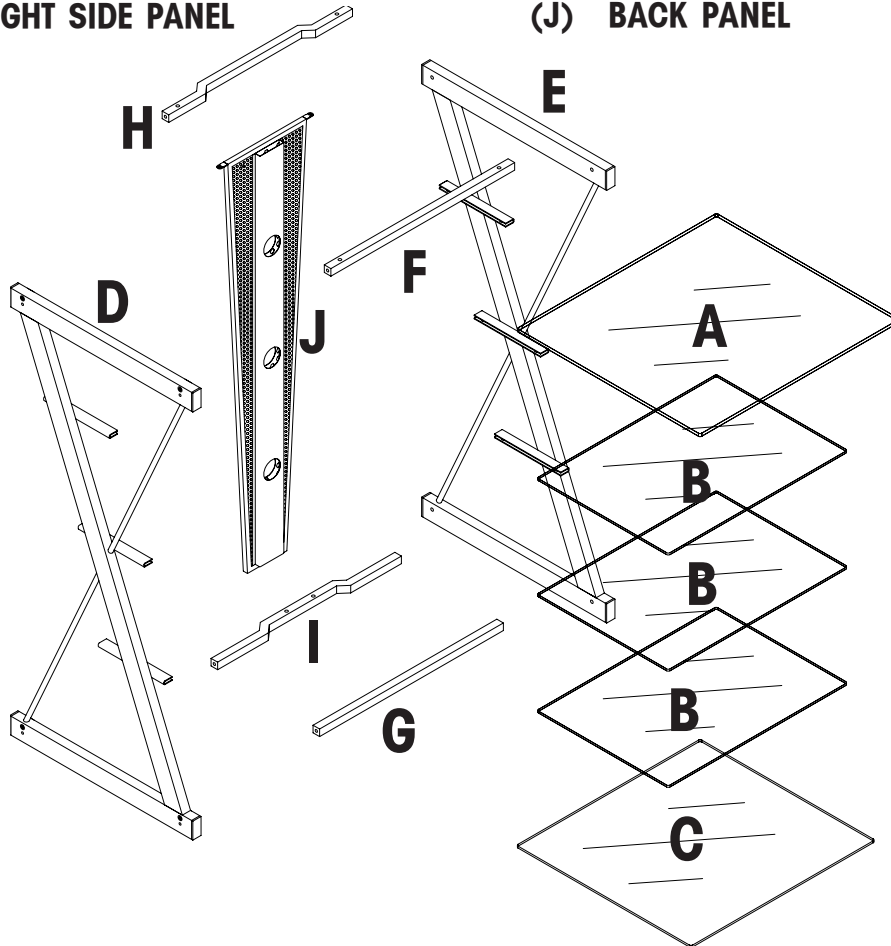
**PRODUCT WEIGHING
50 POUNDS MAXIMUM**



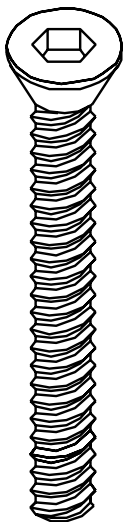
CAUTION - This stand is intended for use only with the products and maximum weights indicated. use with other products or products heavier than the maximum weights indicated may result in instability causing possible injury.

PARTS

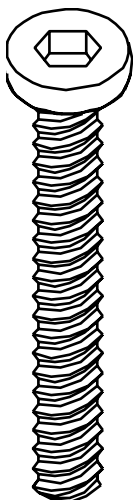
- (A) TOP
- (B) MIDDLE SHELVES (3)
- (C) BOTTOM SHELF
- (D) LEFT SIDE PANEL
- (E) RIGHT SIDE PANEL
- (F) FRONT UPPER CROSS BRACE
- (G) FRONT LOWER CROSS BRACE
- (H) BACK UPPER CROSS BRACE
- (I) BACK LOWER CROSS BRACE
- (J) BACK PANEL



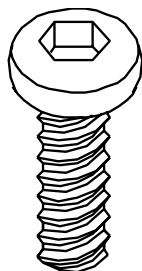
HARDWARE



K
(8 PCS)



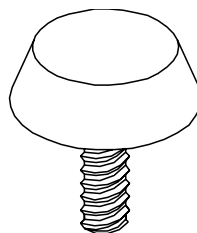
L
(2 PCS)



M
(2 PCS)



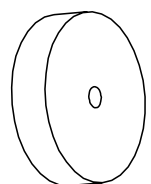
N
(8 PCS)



O
(4 PCS)

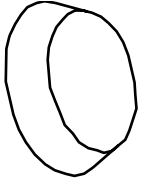


P
(4 PCS)

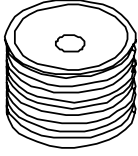


Q
(8 PCS)

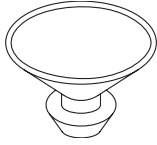
HARDWARE



R
(4 PCS)



S
(12 PCS)



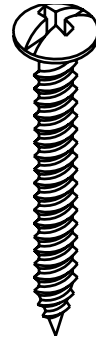
T
(4 PCS)



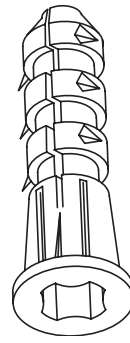
U
(1 PC)



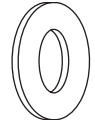
V
(1 PC)



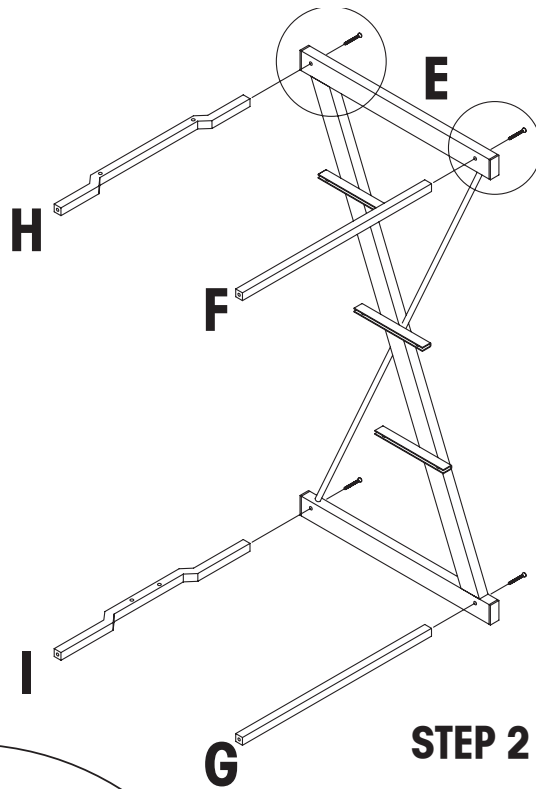
W
(1 PC)



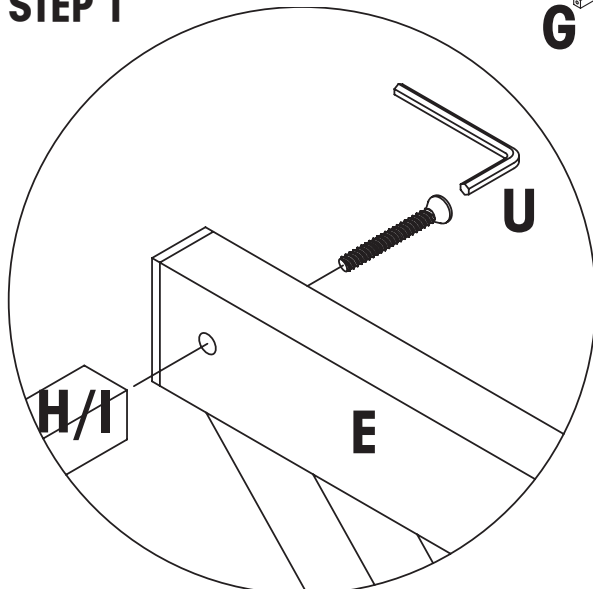
X
(1 PC)



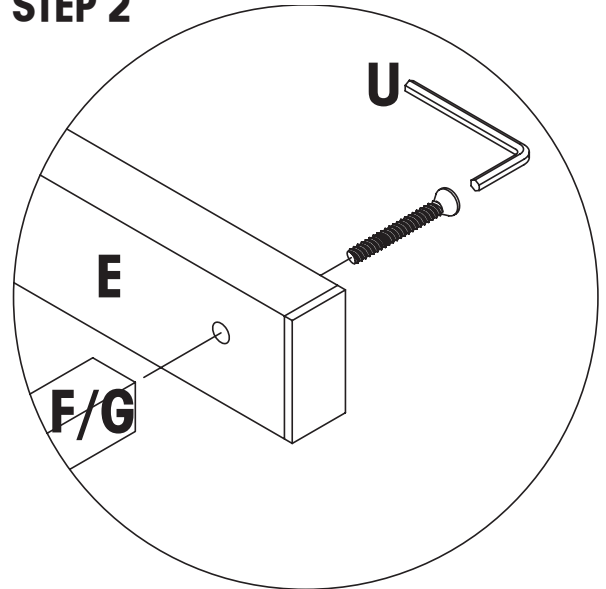
Y
(1 PC)

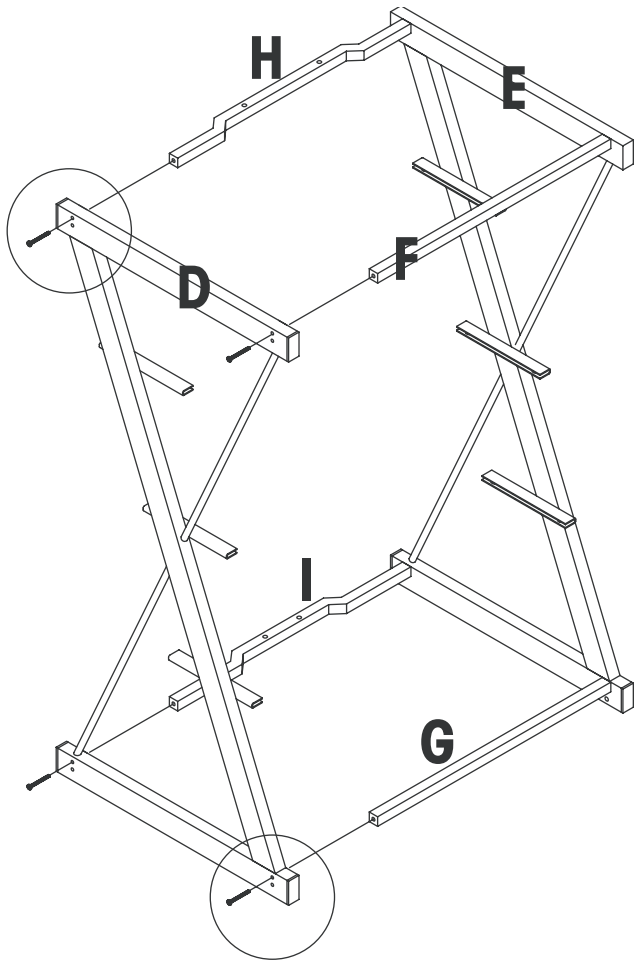


STEP 1

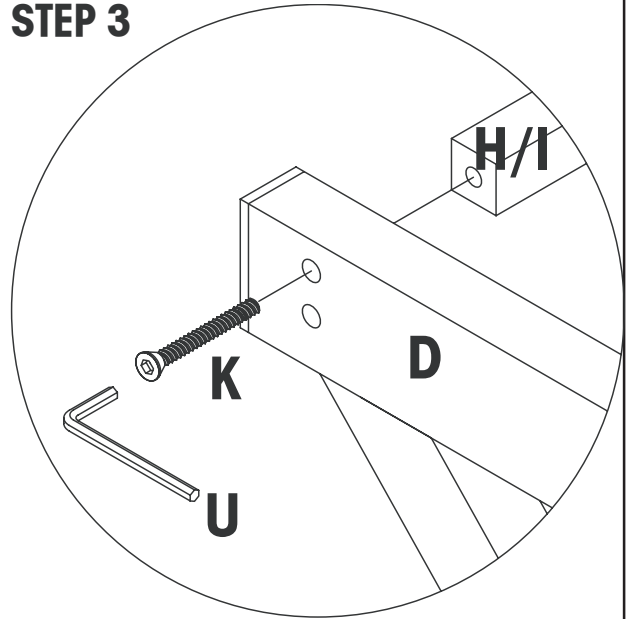


STEP 2

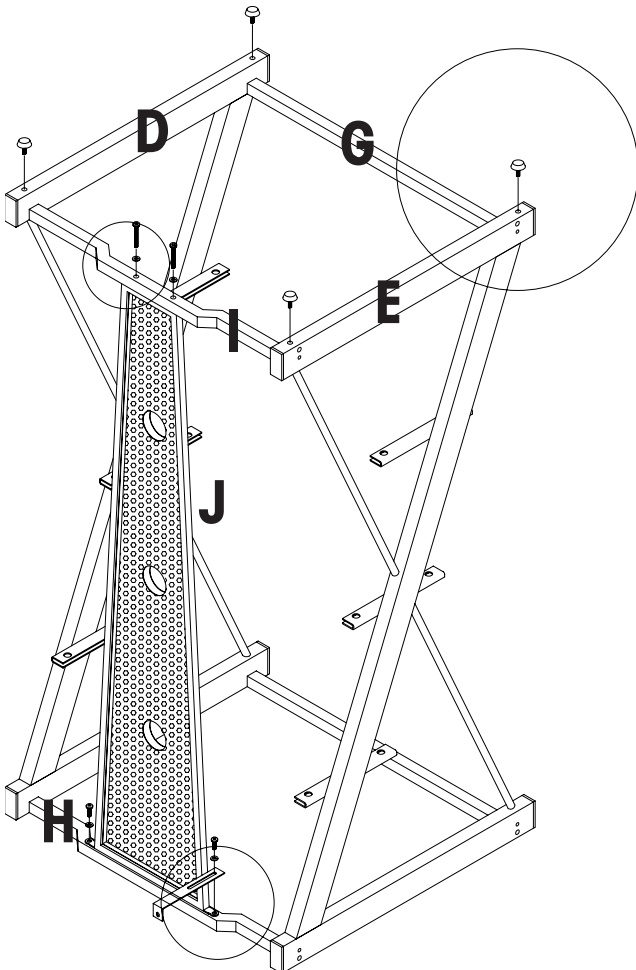
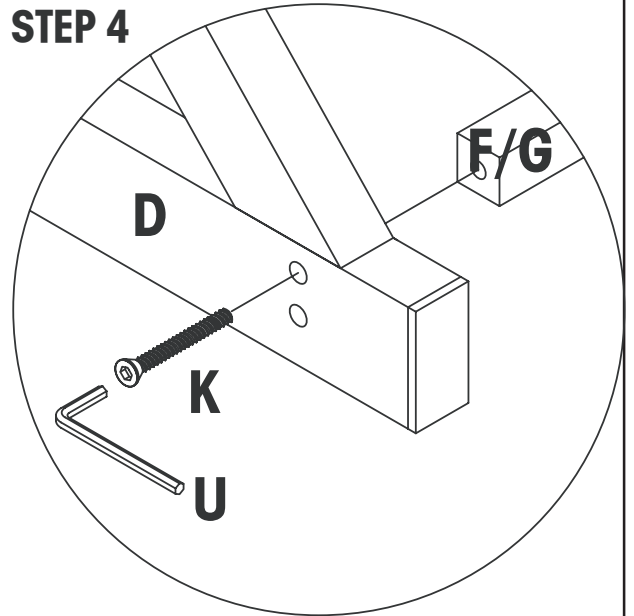




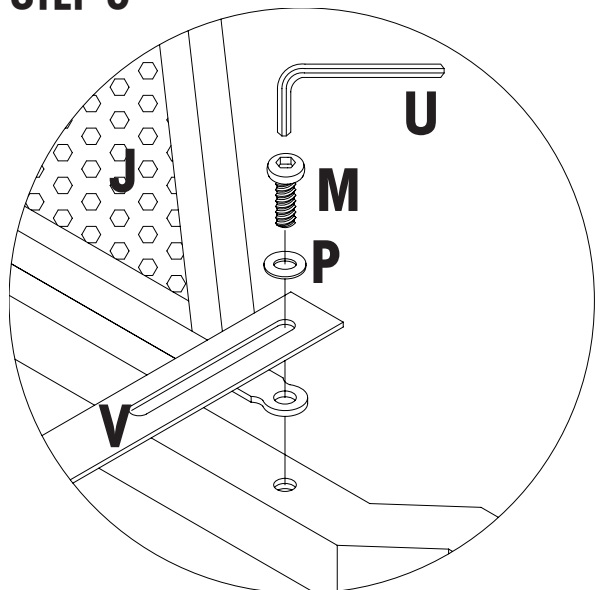
STEP 3



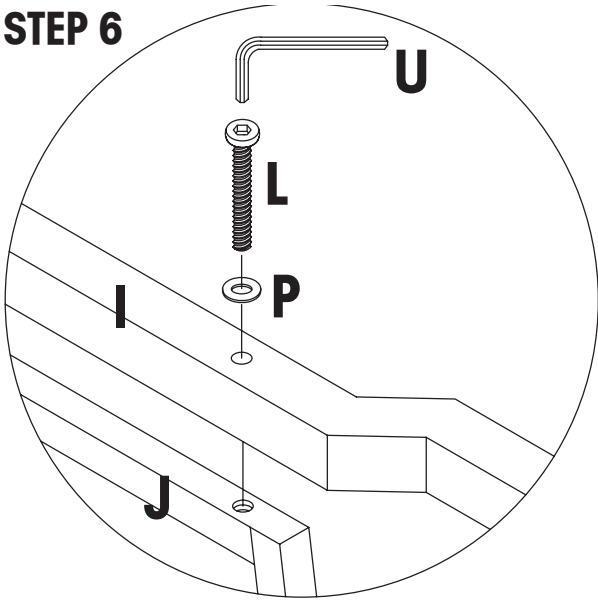
STEP 4



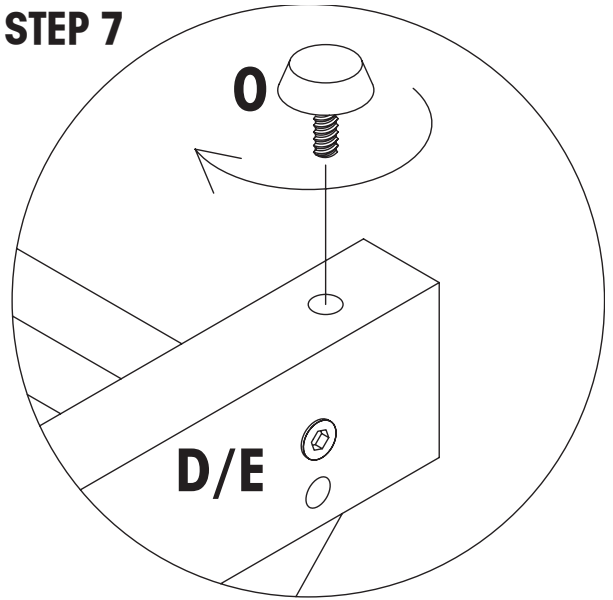
STEP 5



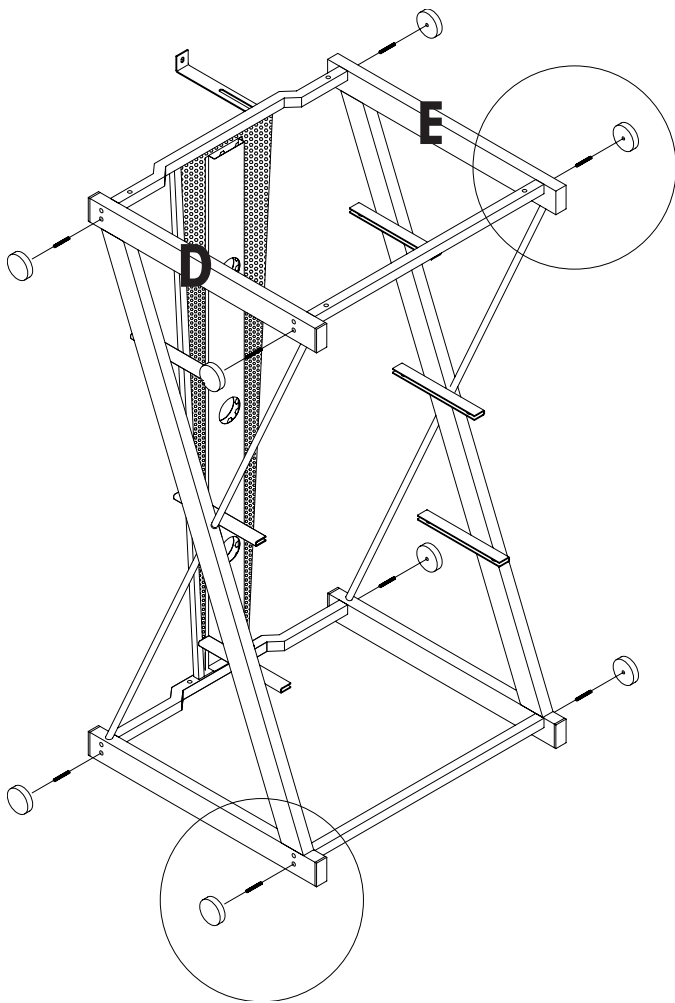
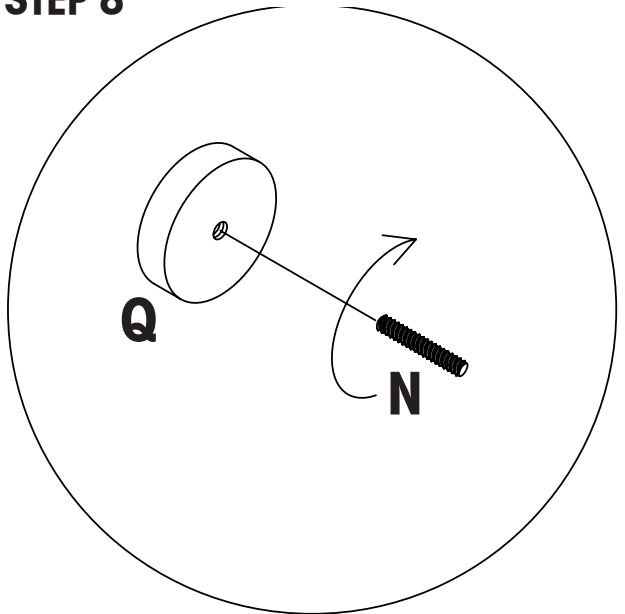
STEP 6



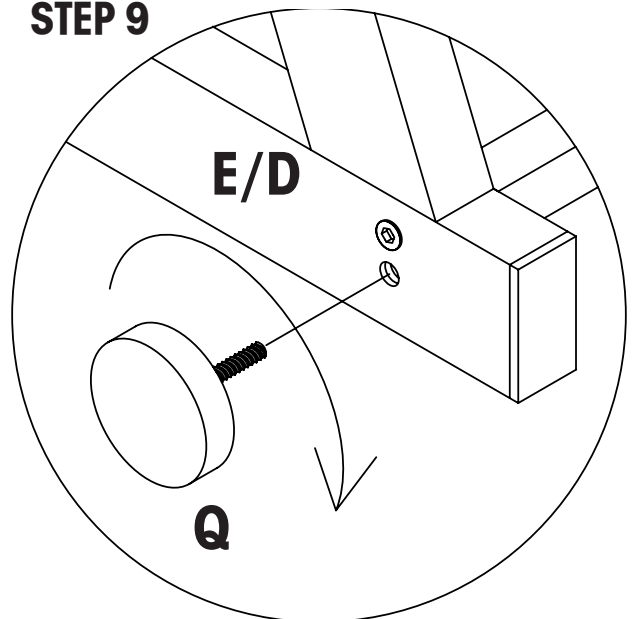
STEP 7



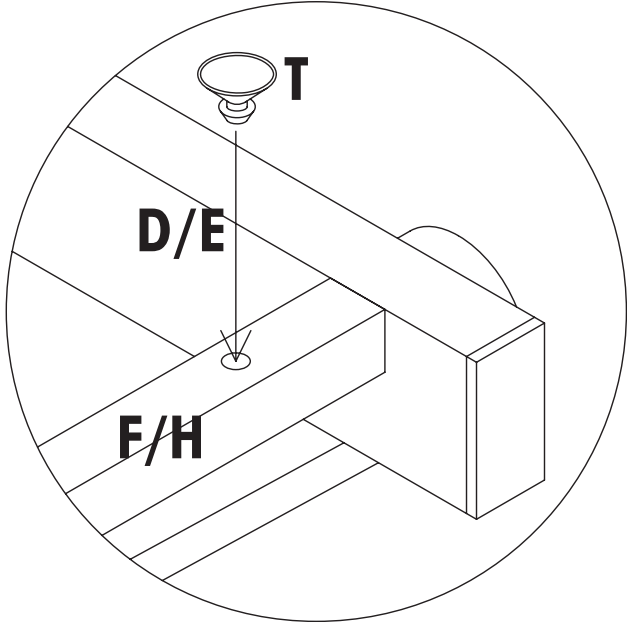
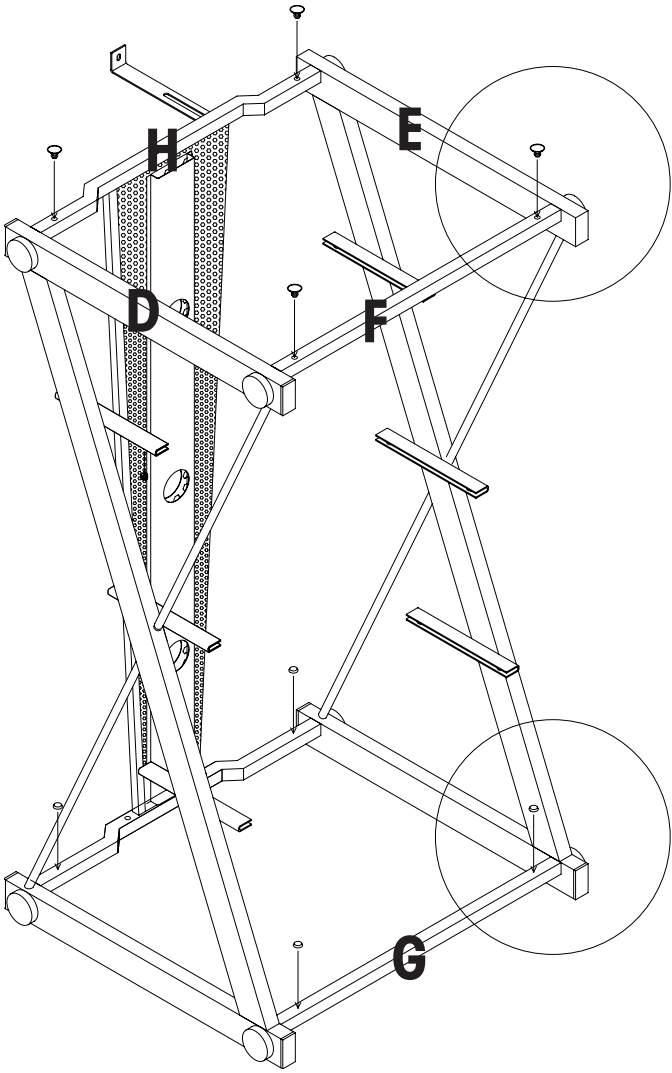
STEP 8



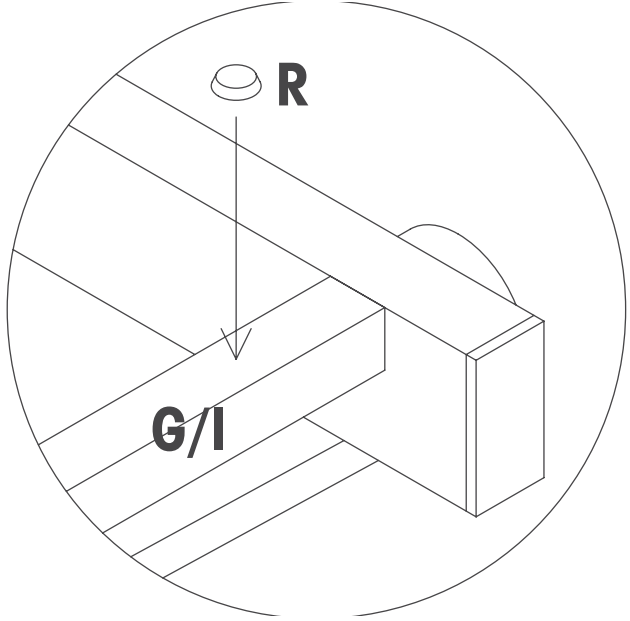
STEP 9



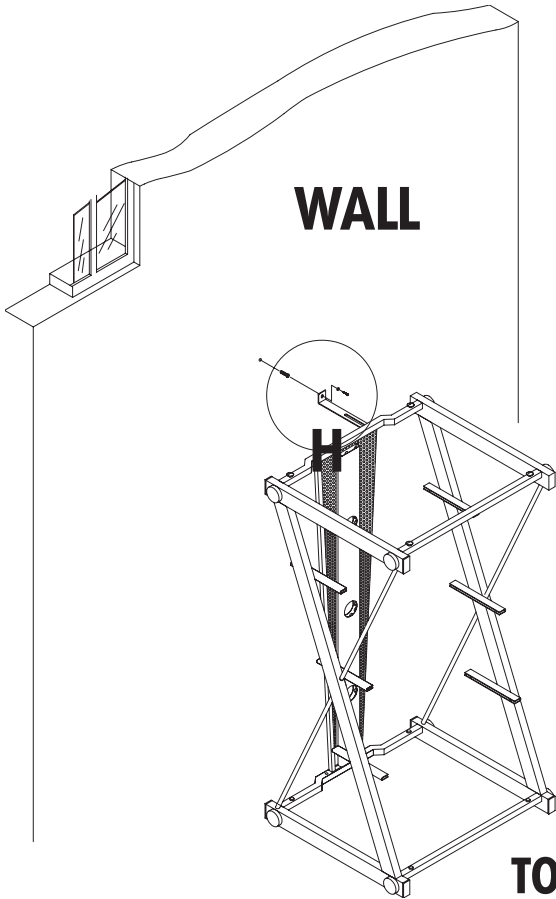
STEP 10



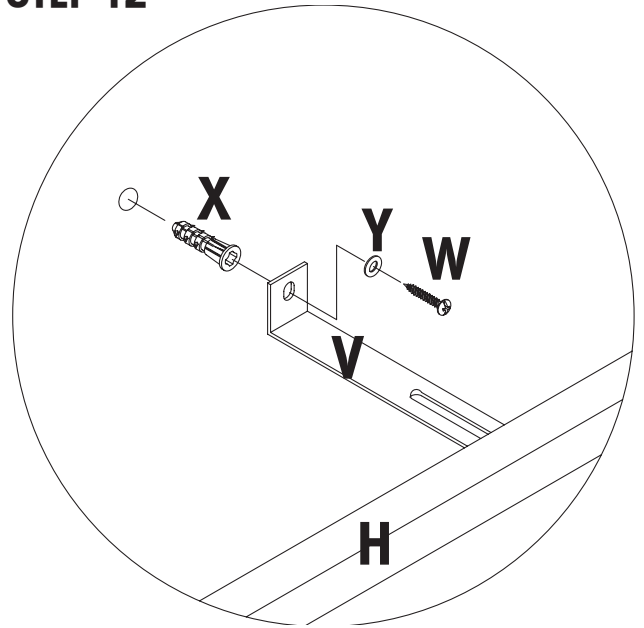
STEP 11



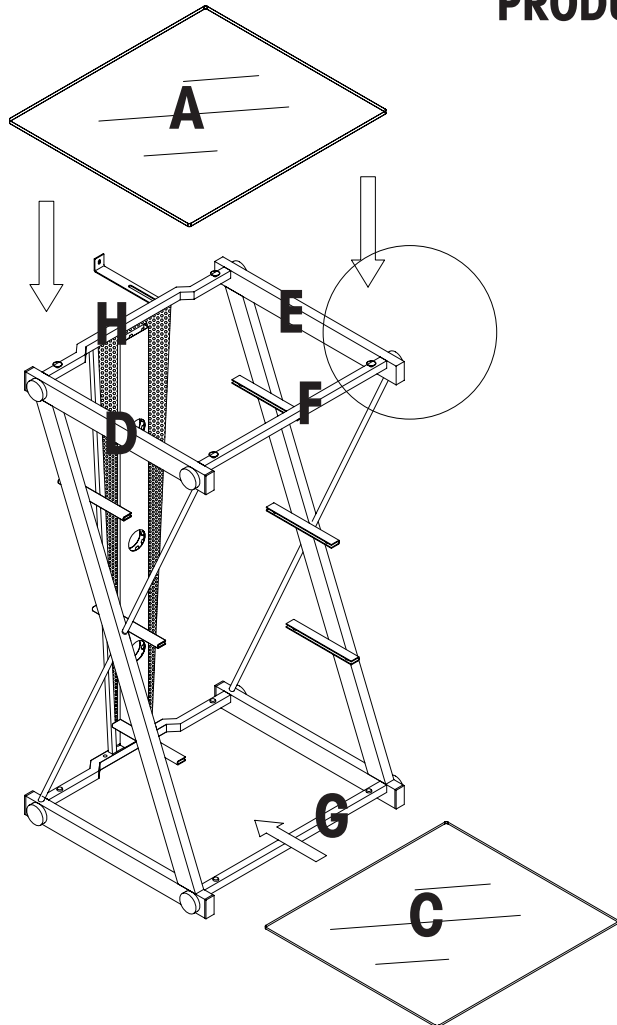
STEP 12



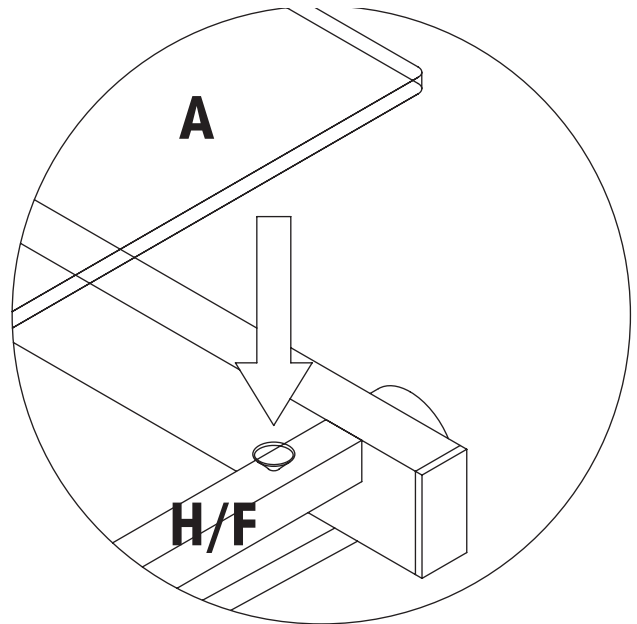
WALL



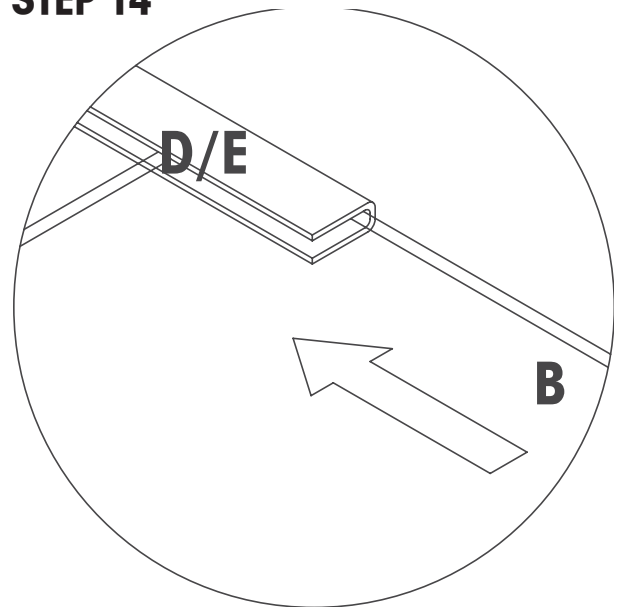
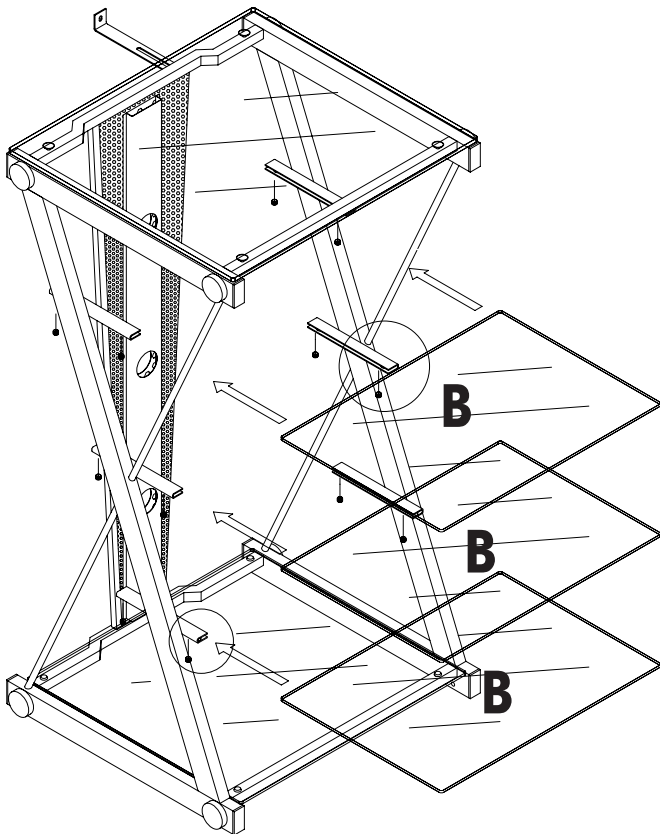
**TO PREVENT TIP OVER,
PRODUCT MUST BE ATTACHED TO WALL**



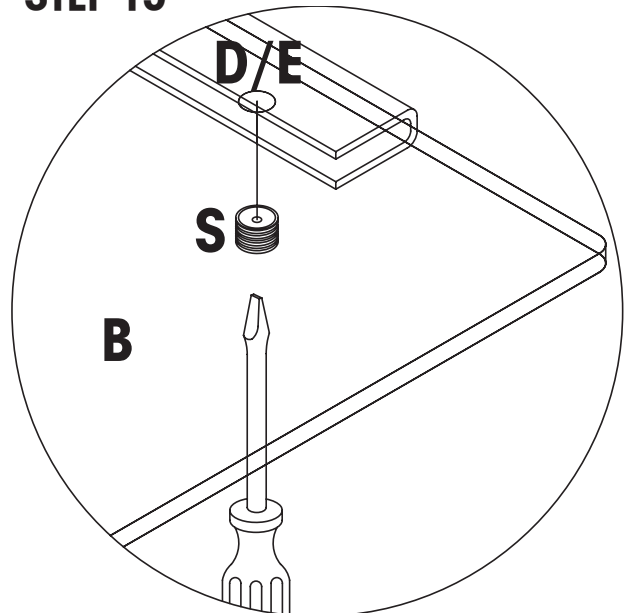
STEP 13



STEP 14



STEP 15



WARNING: PRODUCT IS NOT SUITABLE FOR SUPPORTING A TV!
TOP AND BOTTOM PANEL LOAD NOT TO EXCEED 79 LBS
GLASS SHELVES LOAD NOT TO EXCEED 50 LBS.

IF YOU HAVE A PROBLEM, WE WANT TO HAVE THE OPPORTUNITY TO MAKE IT RIGHT!

Should there be any missing or defective part(s),
Fax this form to (310) 841-0842
 or call Customer Service at (800) 622-4456 or (310) 204-2224
 Have your model number and part code letter handy.

MODEL NO. 938-276A

© 2005 Powell

Part Letter Description Quantity

Name _____
 Address _____

Daytime Phone () _____
 Reason for replacement _____

Place of purchase _____