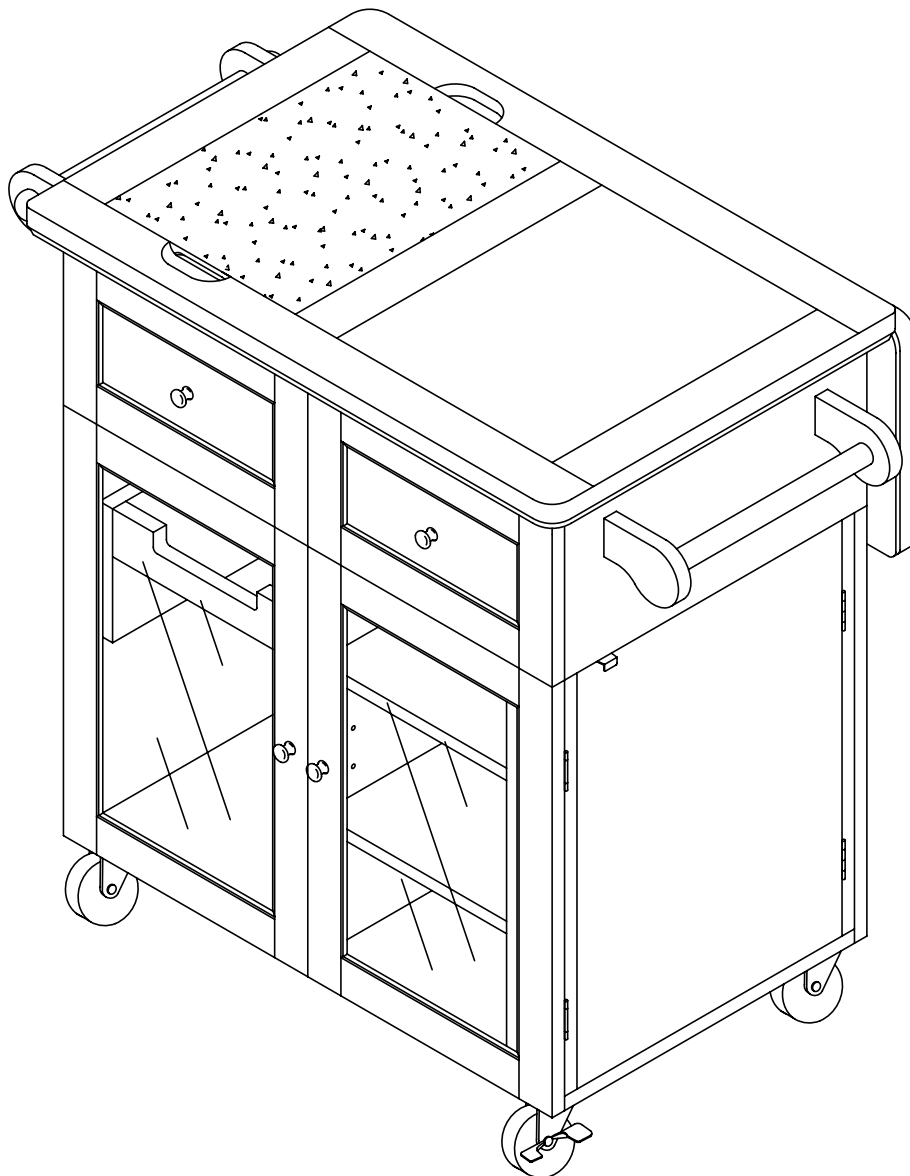


Thank you for purchasing this quality product. Be sure to check all packing material carefully for small parts which may have come loose inside the carton during shipment. Separate, identify, and count all parts and metal hardware. Compare with parts list and hardware illustrations to be sure all parts are present. If any part(s) are missing or damaged, phone, fax, or mail to our Customer Service Department. For efficient and speedy service, please indicate the model number and code letter of part(s) needed.

ATTENTION: SOME LETTERED PARTS LISTED ON THE INSTRUCTION SHEET MAY NOT BE IN PARTS BAG AS THEY MAY ALREADY BE ASSEMBLED. CAREFULLY CHECK PARTS AND PACKING MATERIALS PRIOR TO ORDERING REPLACEMENTS.

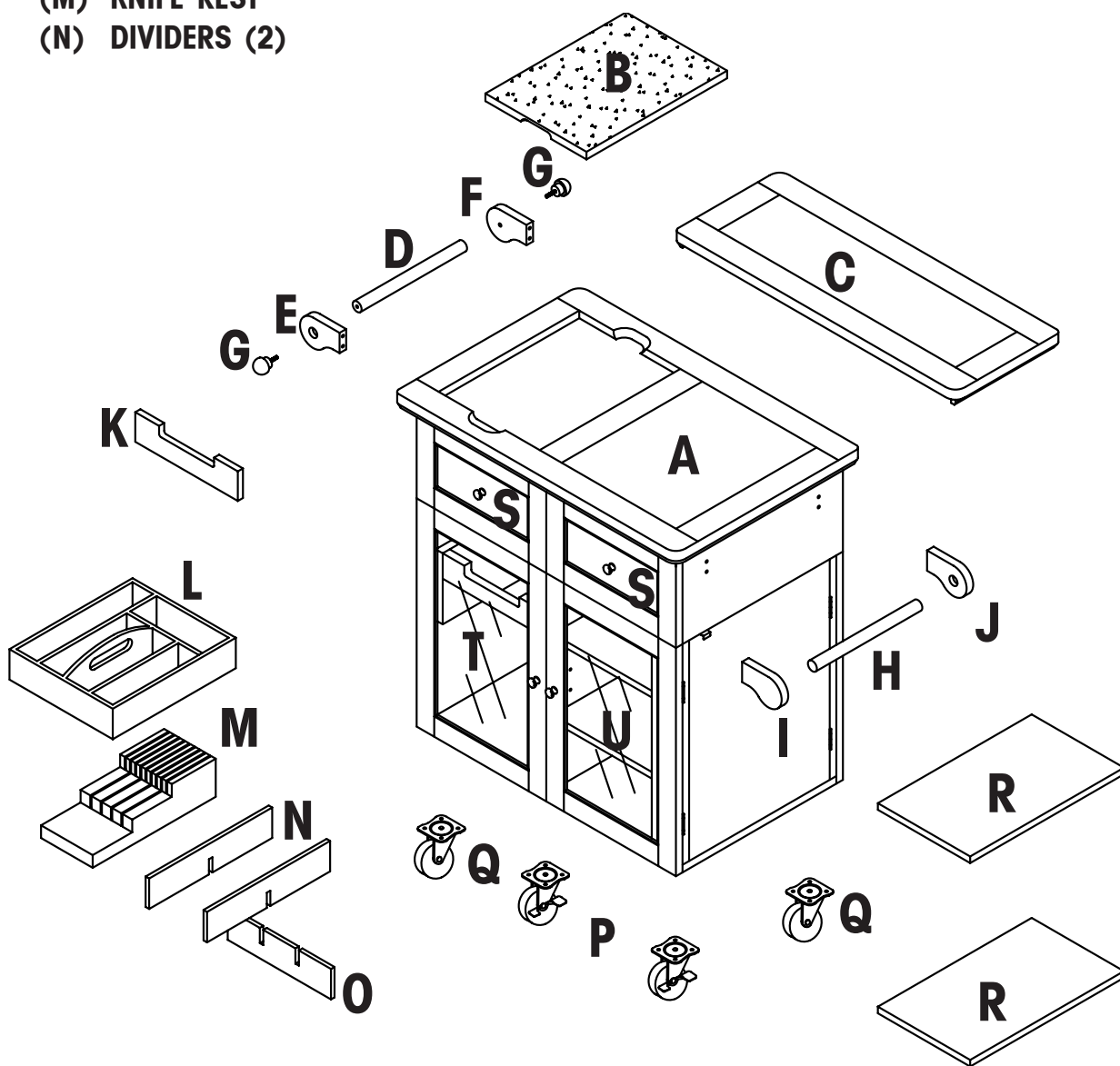
NOTE: Some synthetic floors may have a chemical reaction with the rubber casters used on this product. Please check your warranty instructions from your flooring supplier to verify their product is safe to use with carts that use casters.

Tools Required for assembly: Phillips Screwdriver (not included).

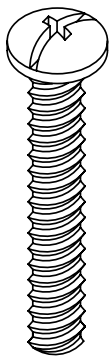


PARTS

- | | |
|-----------------------------|------------------------------|
| (A) CABINET | (O) DIVIDER W/TWO GROOVES |
| (B) STONE | (P) LOCKING CASTERS (2) |
| (C) FOLDING TOP | (Q) CASTERS (2) |
| (D) LEFT BAR | (R) SHELVES (2) |
| (E) LEFT FRONT BAR SUPPORT | (S) DRAWERS (2) |
| (F) LEFT BACK BAR SUPPORT | (T) LEFT DOOR |
| (G) END CAPS (2) | (U) RIGHT DOOR |
| (H) RIGHT BAR | (V) LEFT CORNER SUPPORT |
| (I) RIGHT FRONT BAR SUPPORT | (W) RIGHT CORNER SUPPORT |
| (J) RIGHT BACK BAR SUPPORT | (X) TRASH BIN FRAME |
| (K) ADJUSTABLE CROSS BRACE | (Y) TRASH BIN (NOT INCLUDED) |
| (L) ORGANIZER | |
| (M) KNIFE REST | |
| (N) DIVIDERS (2) | |



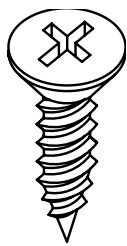
HARDWARE



Z
(8 PCS)



Aa
(16 PCS)



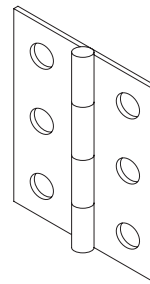
Bb
(12 PCS)



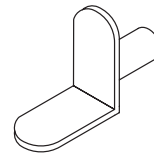
Cc
(8 PCS)



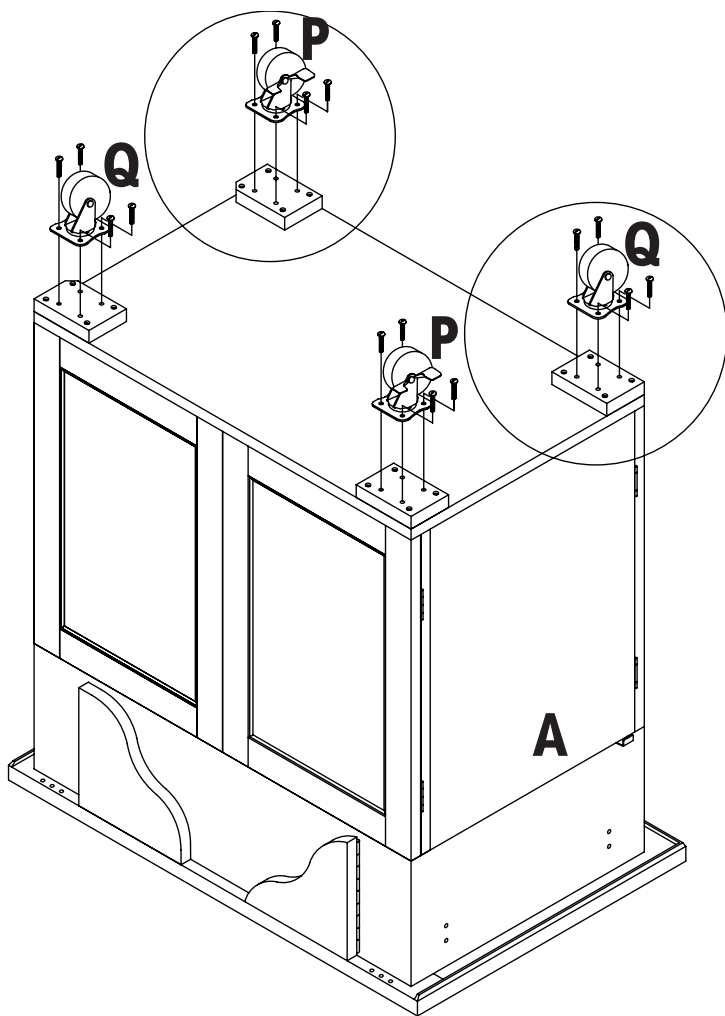
Dd
(8 PCS)



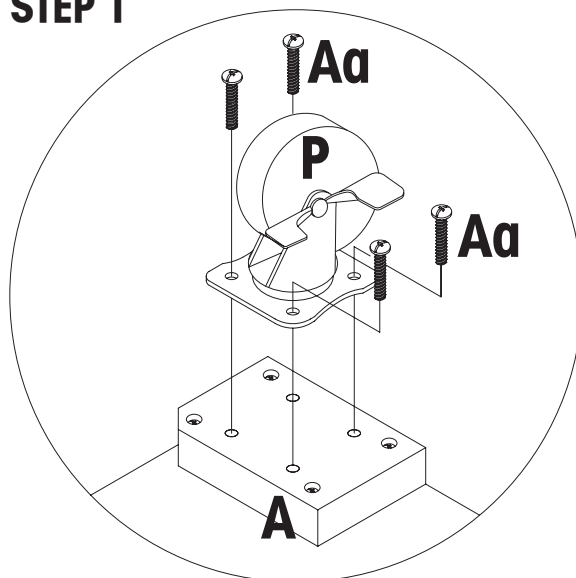
Ee
(2 PCS)



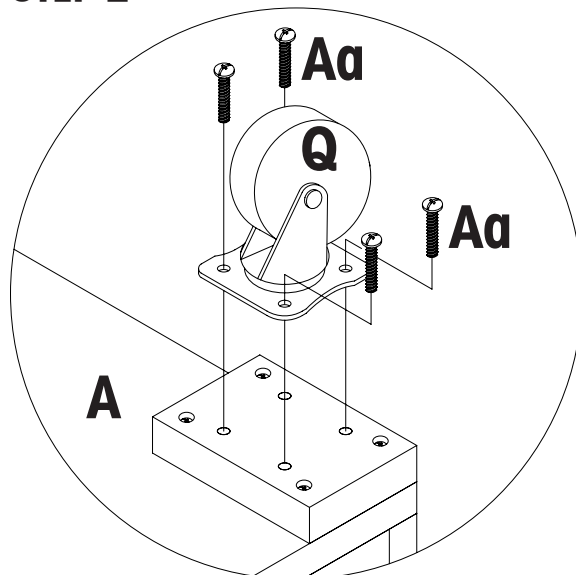
Ff
(8 PCS)

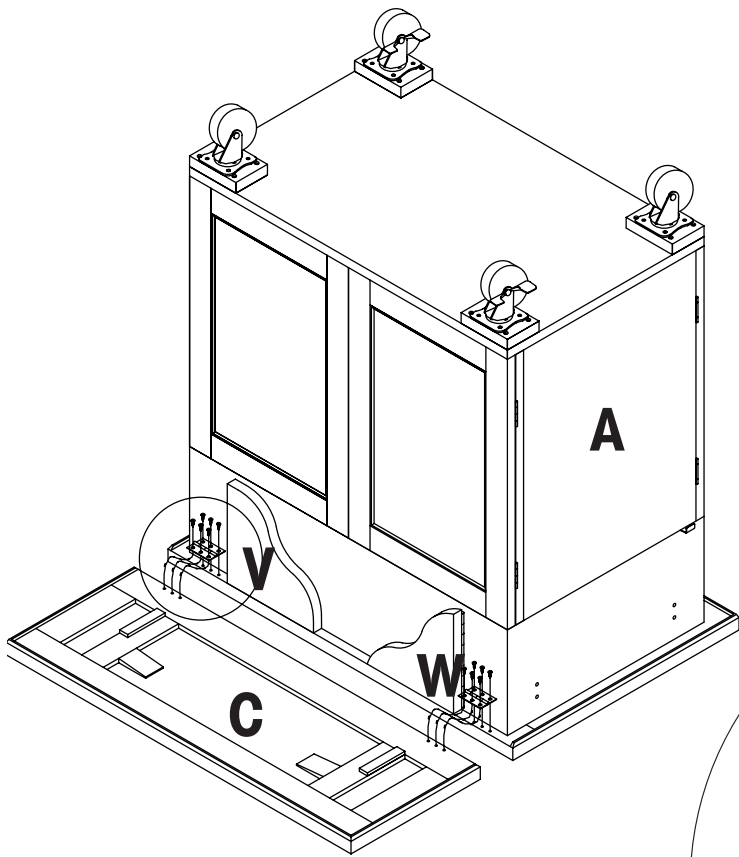


STEP 1

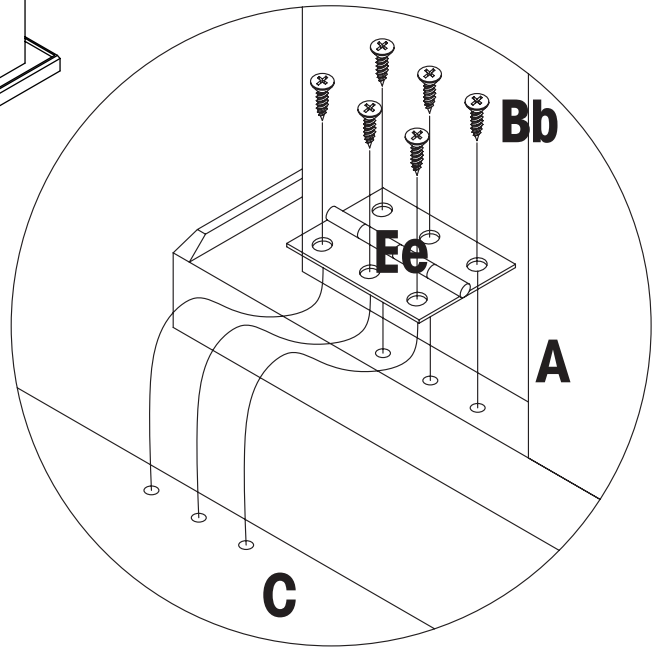


STEP 2

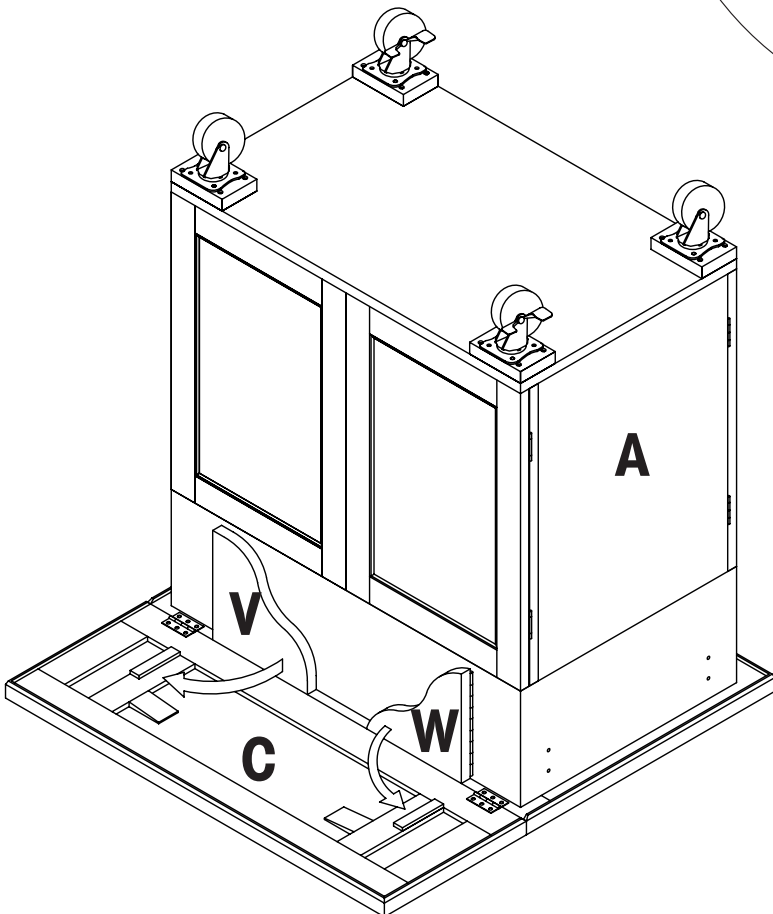


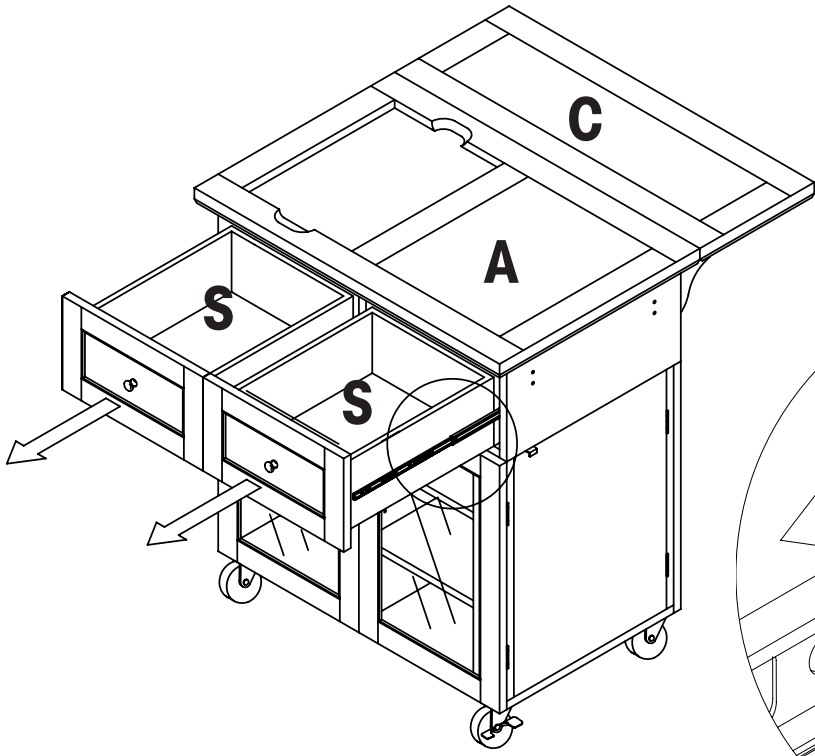


STEP 3

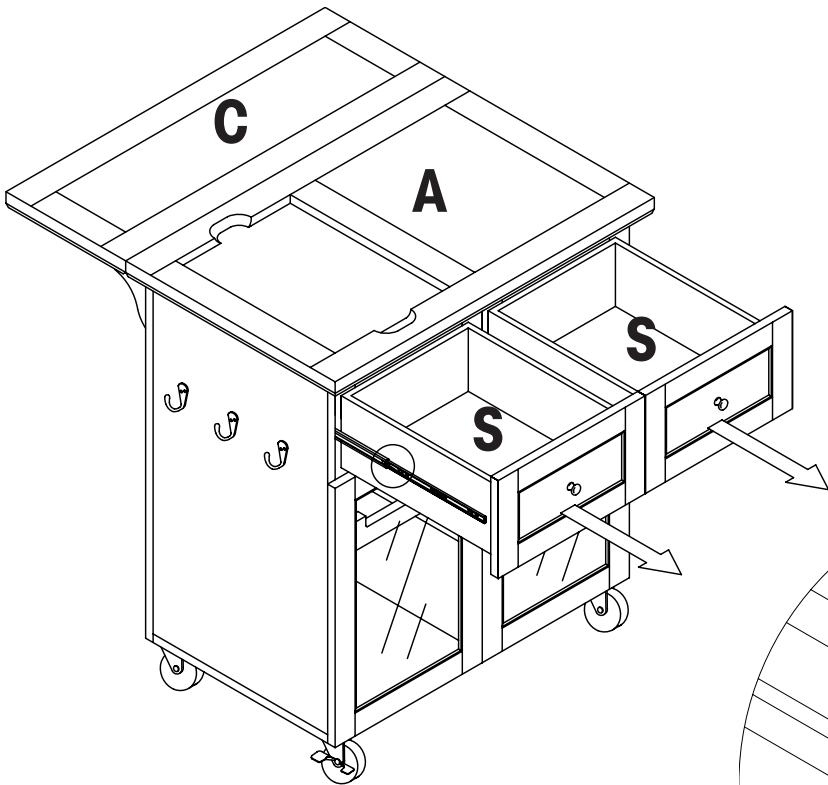
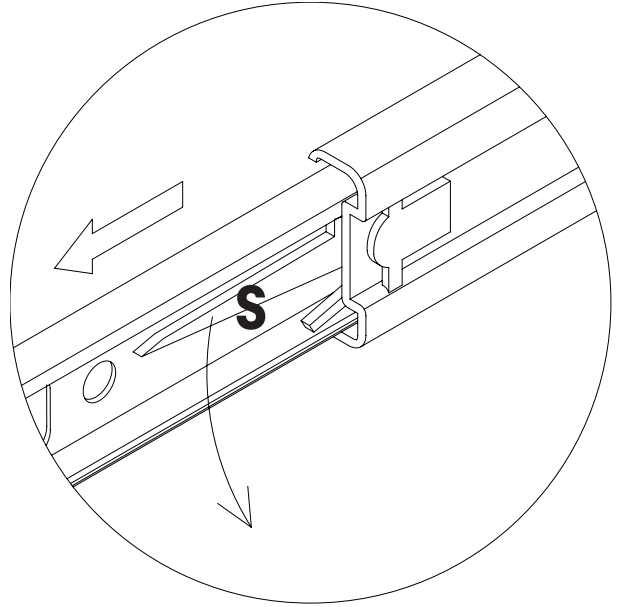


STEP 4

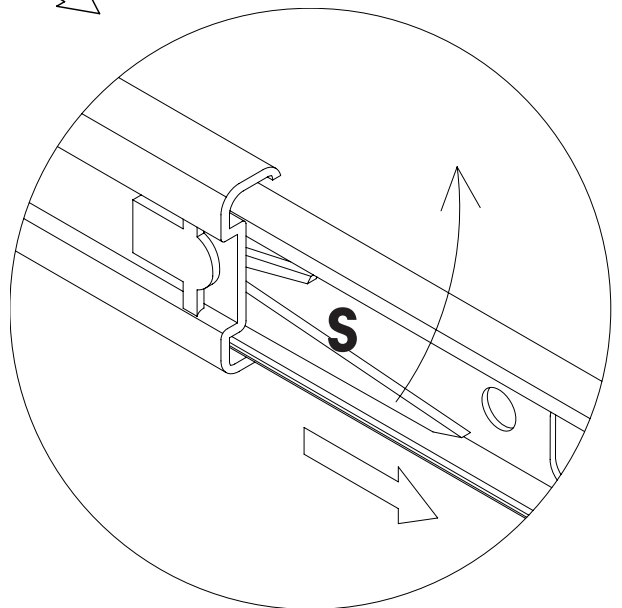




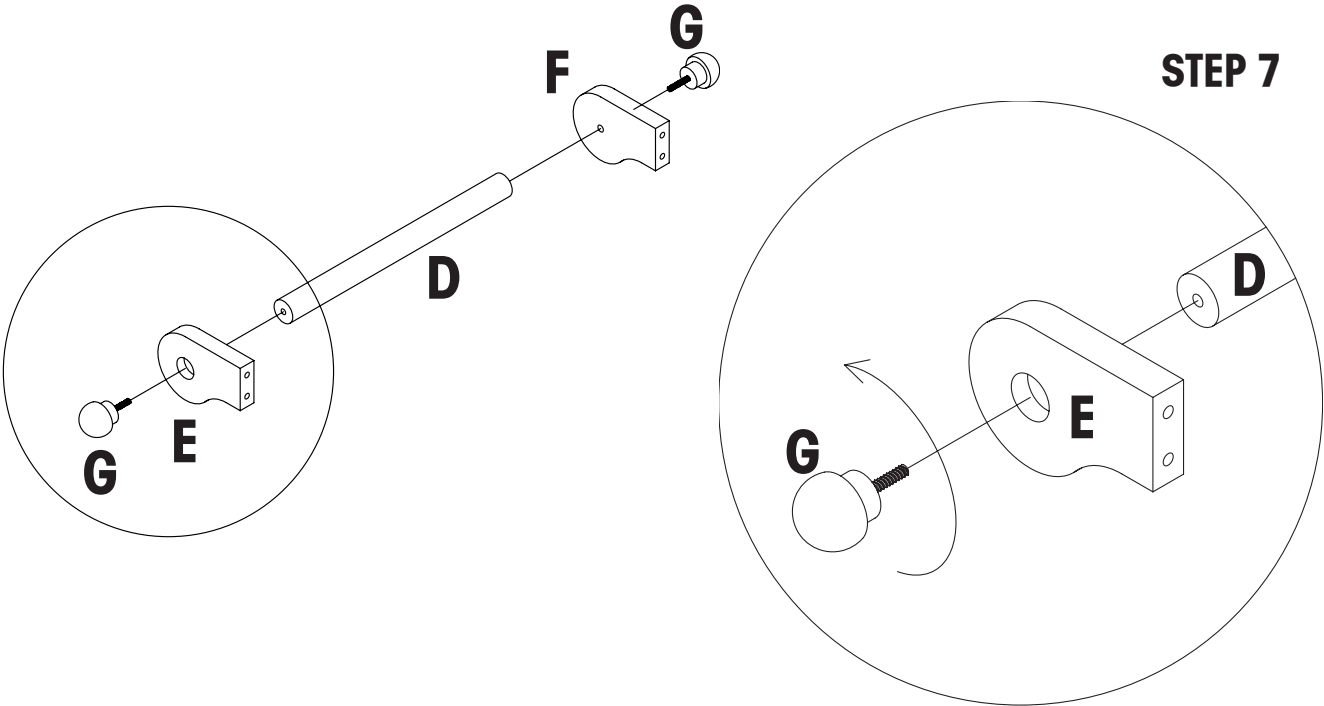
STEP 5



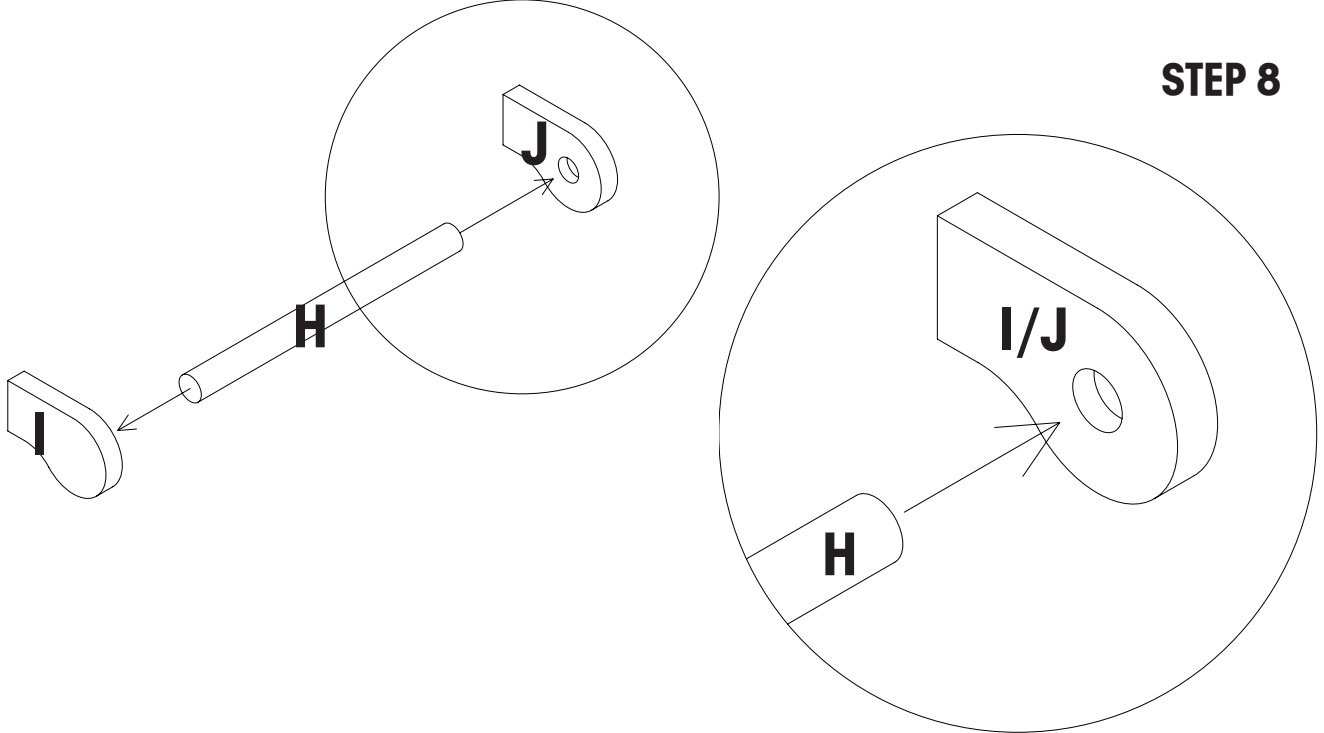
STEP 6

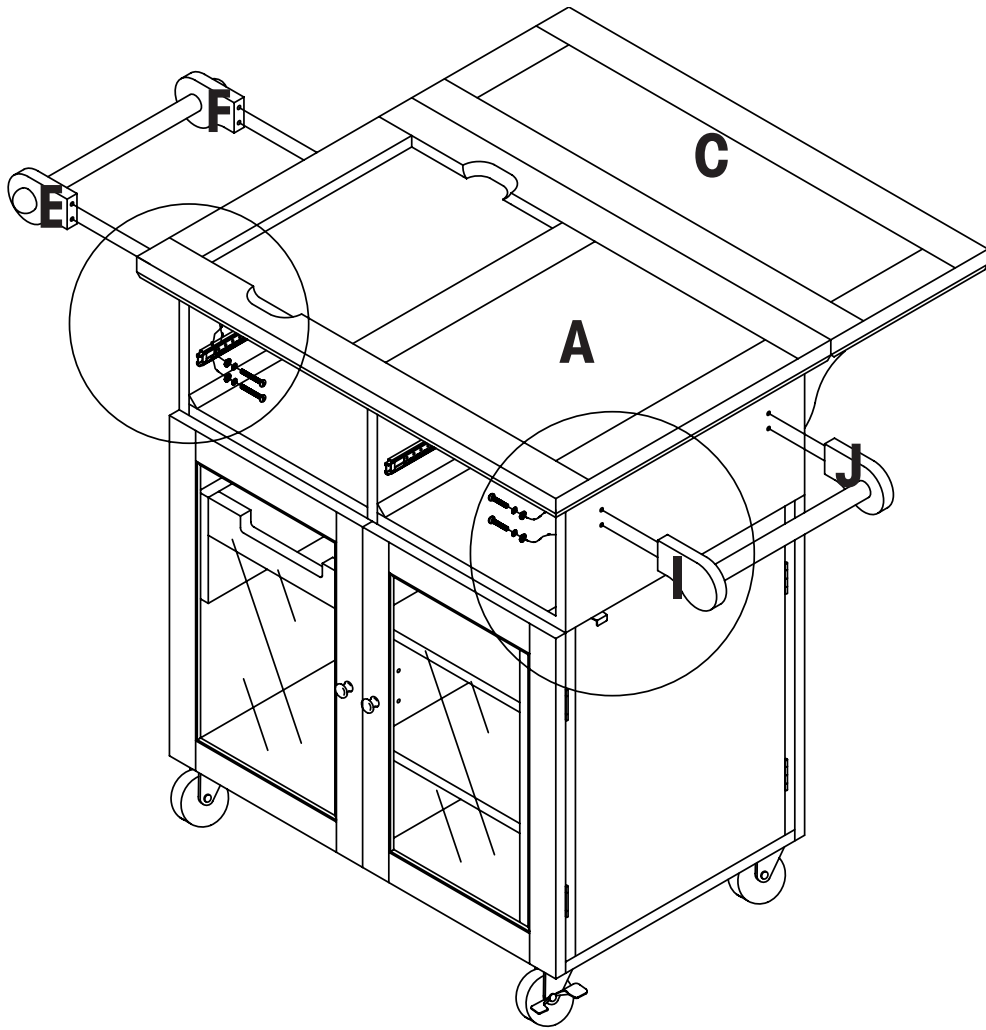


STEP 7



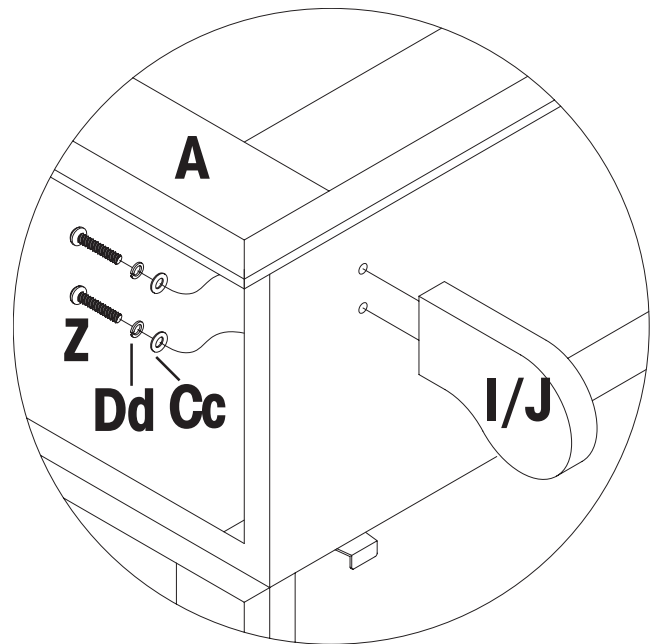
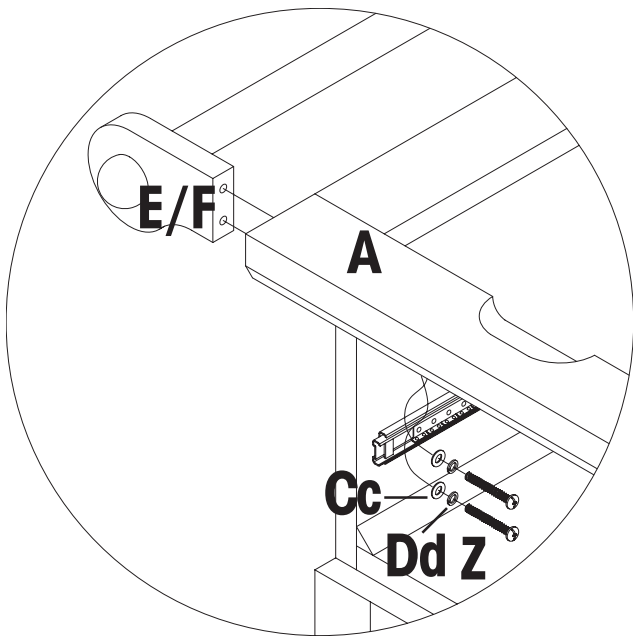
STEP 8

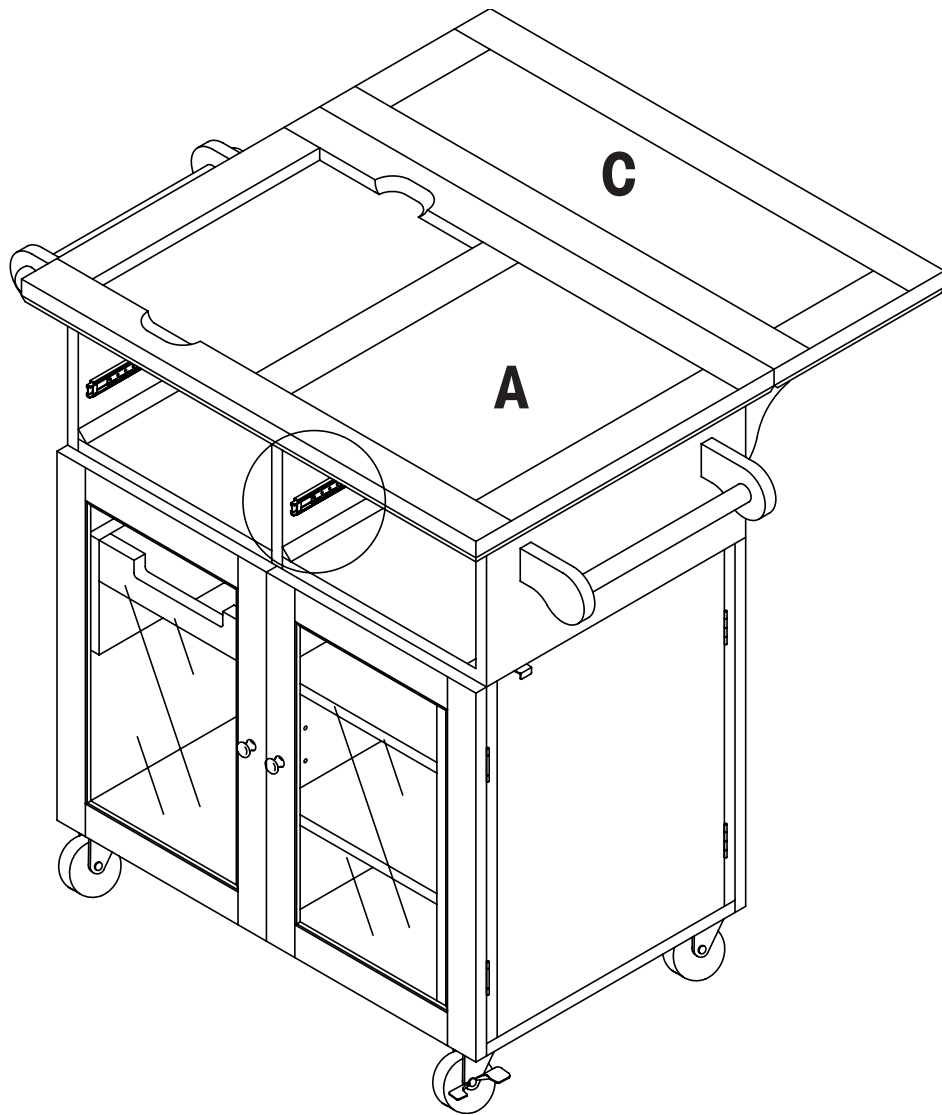




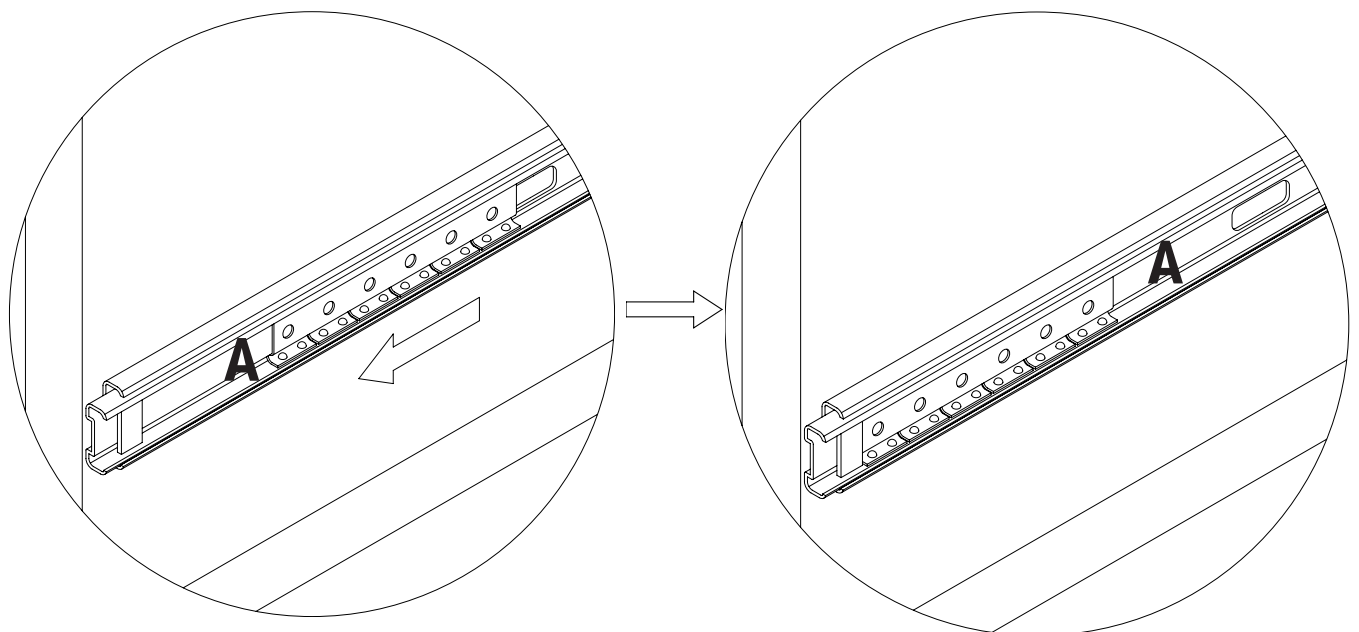
STEP 9

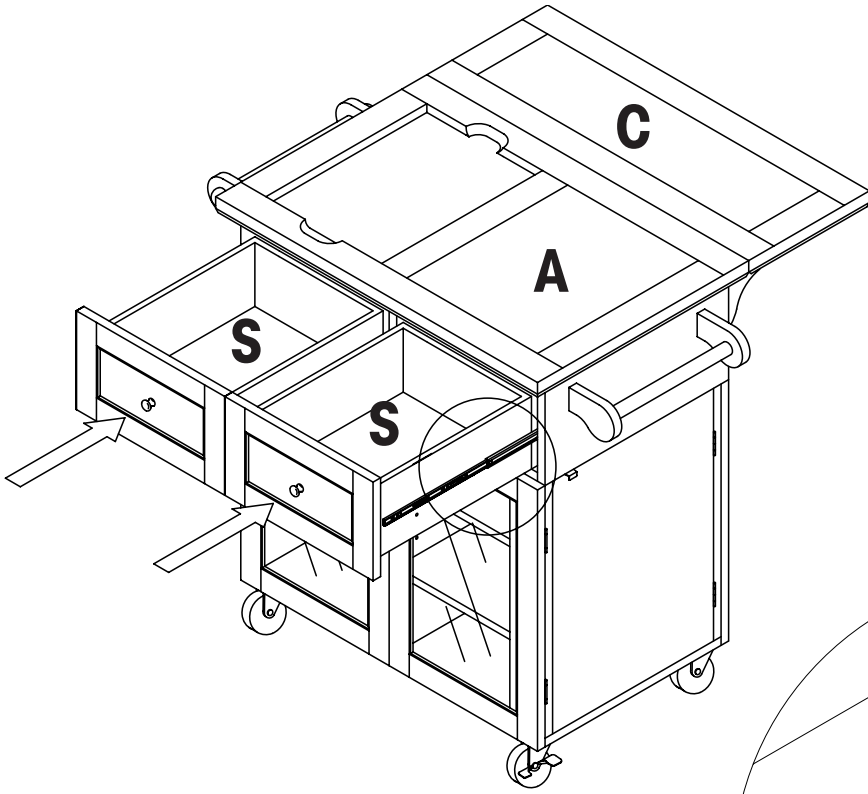
STEP 10



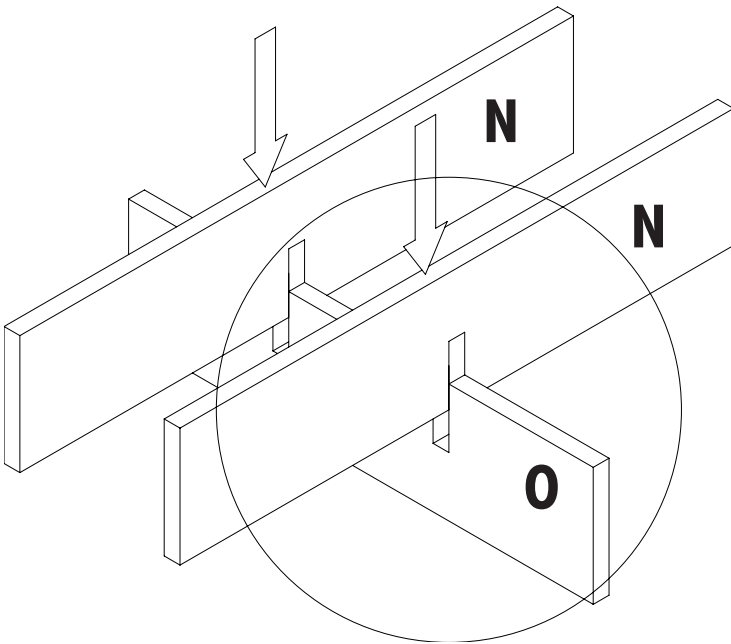
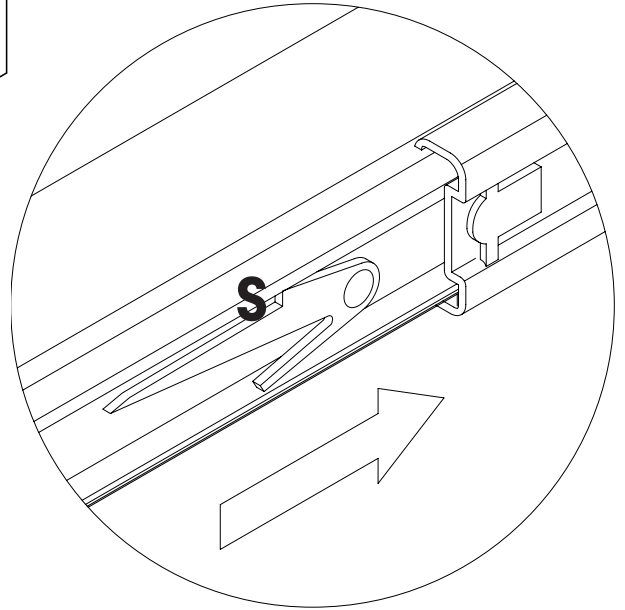


STEP 11

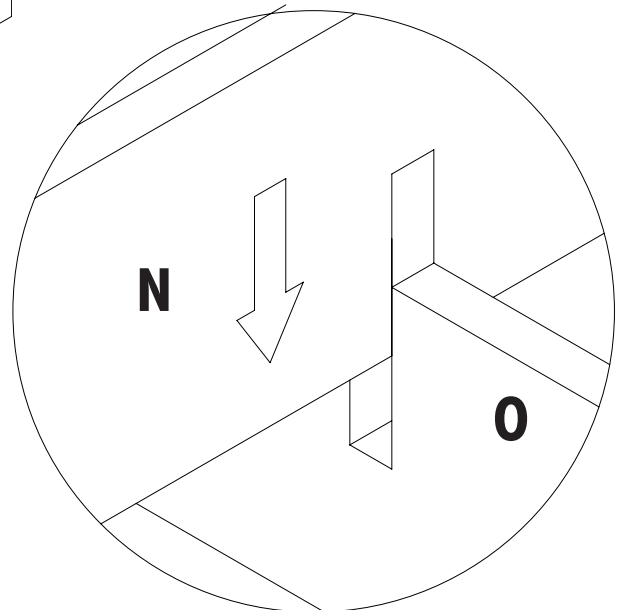




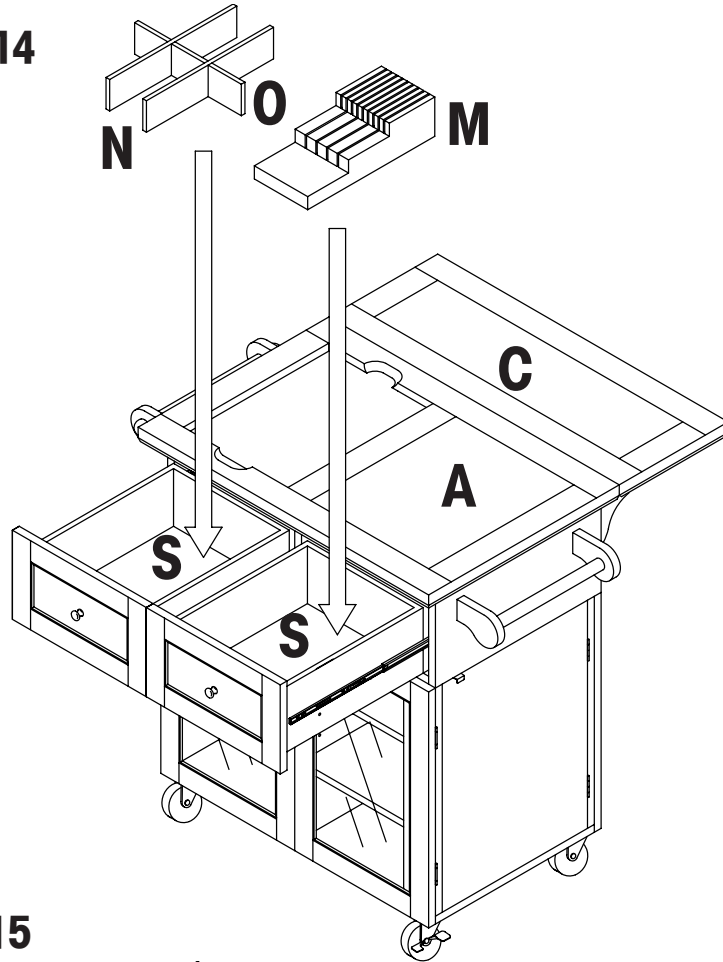
STEP 12



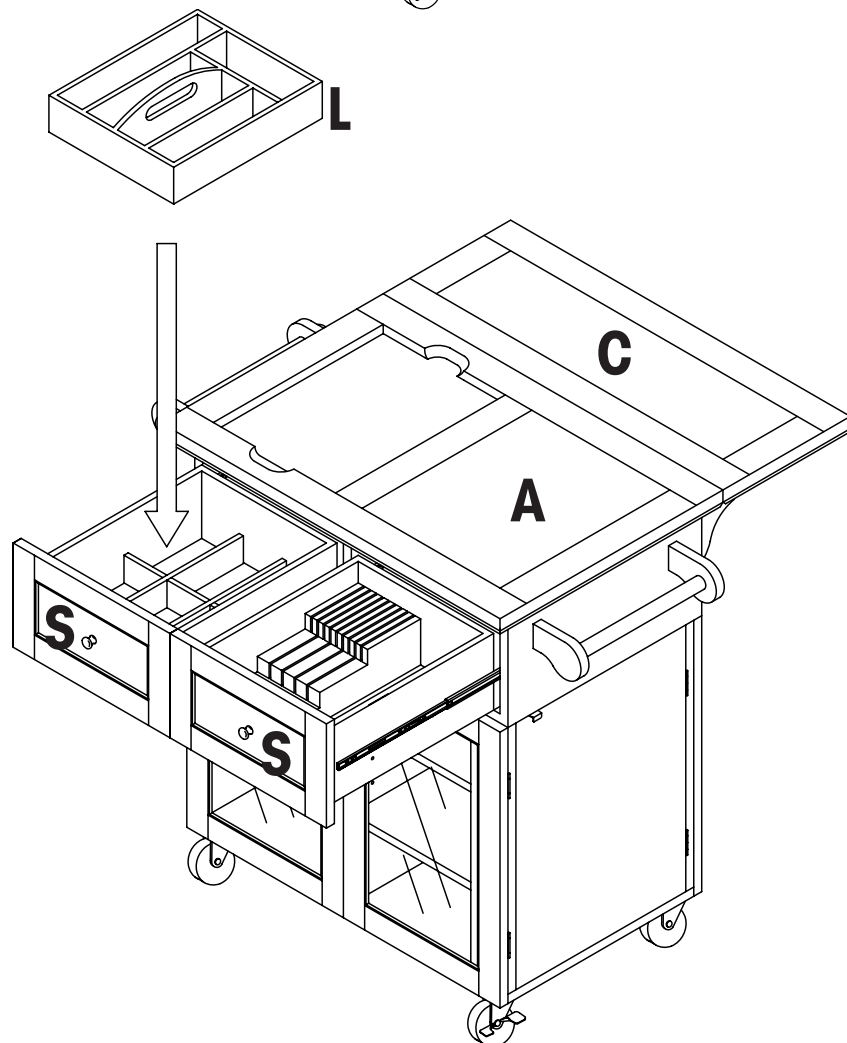
STEP 13



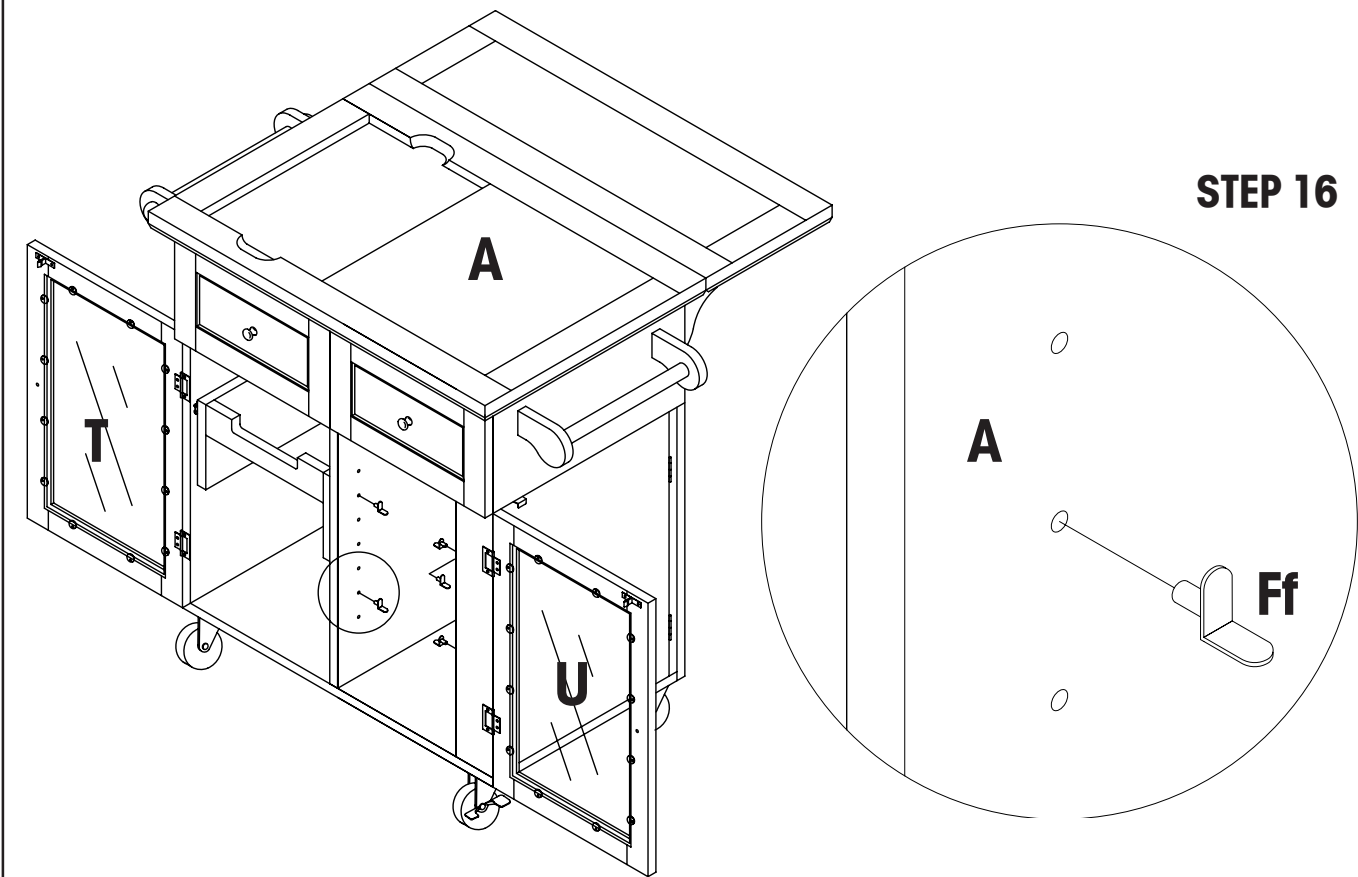
STEP 14



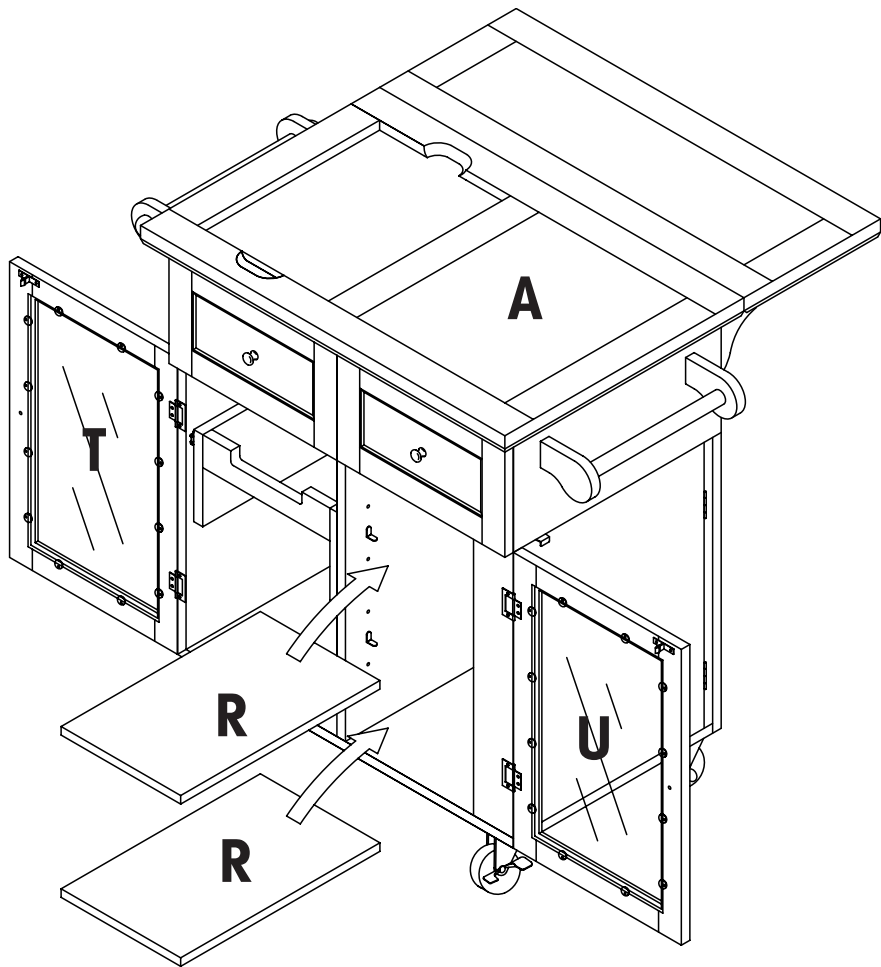
STEP 15



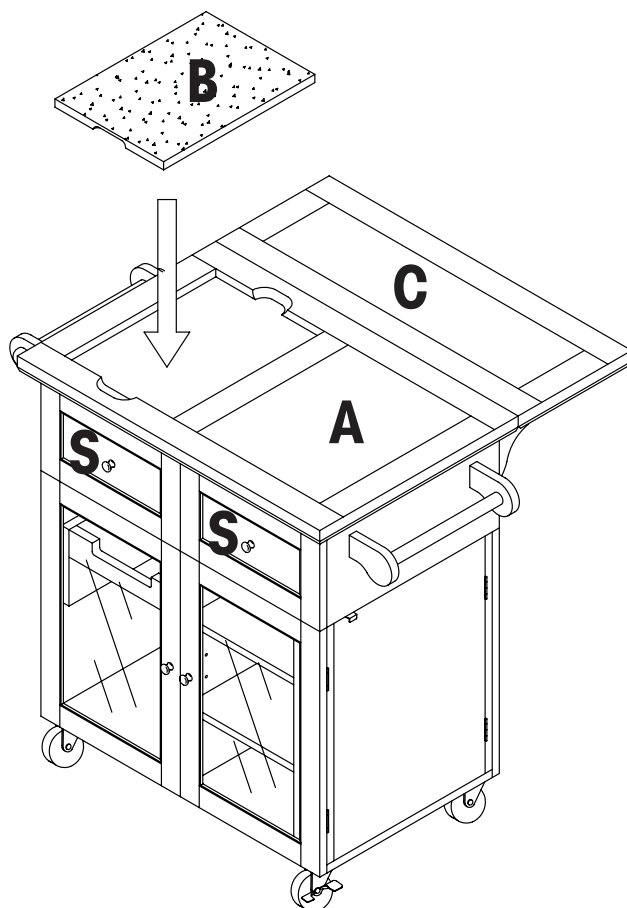
STEP 16



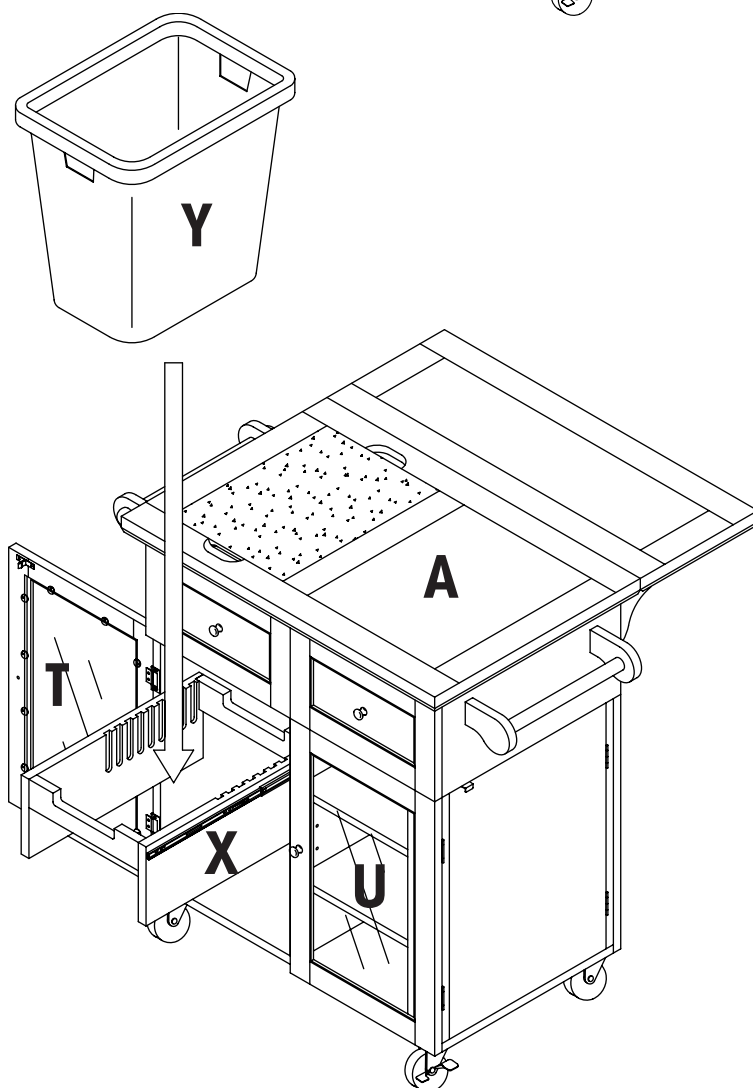
STEP 17

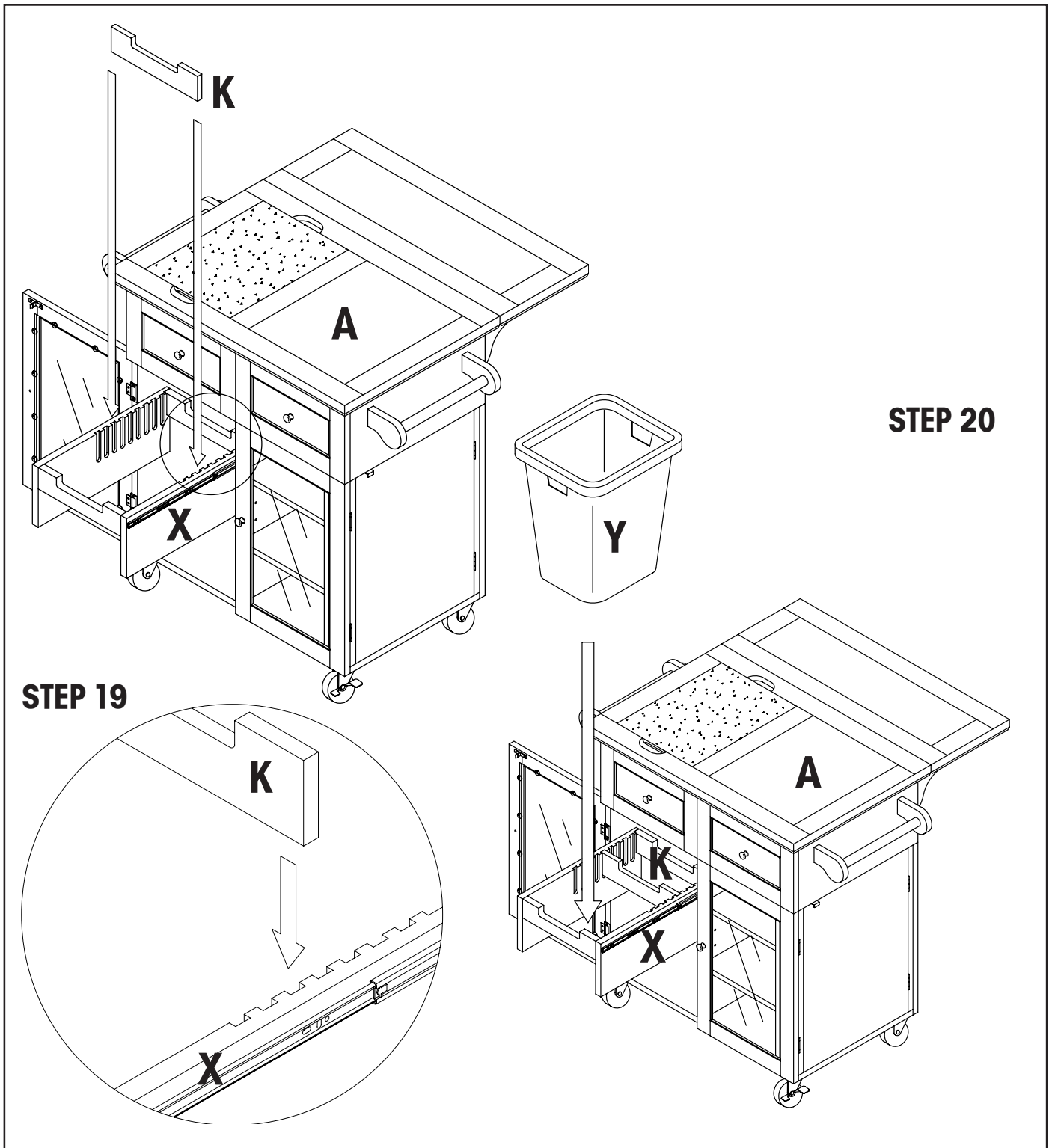


STEP 18



STEP 19





IF YOU HAVE A PROBLEM, WE WANT TO HAVE THE OPPORTUNITY TO MAKE IT RIGHT!

Should there be any missing or defective part(s),
Fax this form to (310) 841-0842
 or call Customer Service at (800) 622-4456 or (310) 204-2224
 Have your model number and part code letter handy.

MODEL NO. 858-444

© 2007 Powell

Part Letter Description Quantity

Name _____
 Address _____

Daytime Phone () _____
 Reason for replacement _____

Place of purchase _____