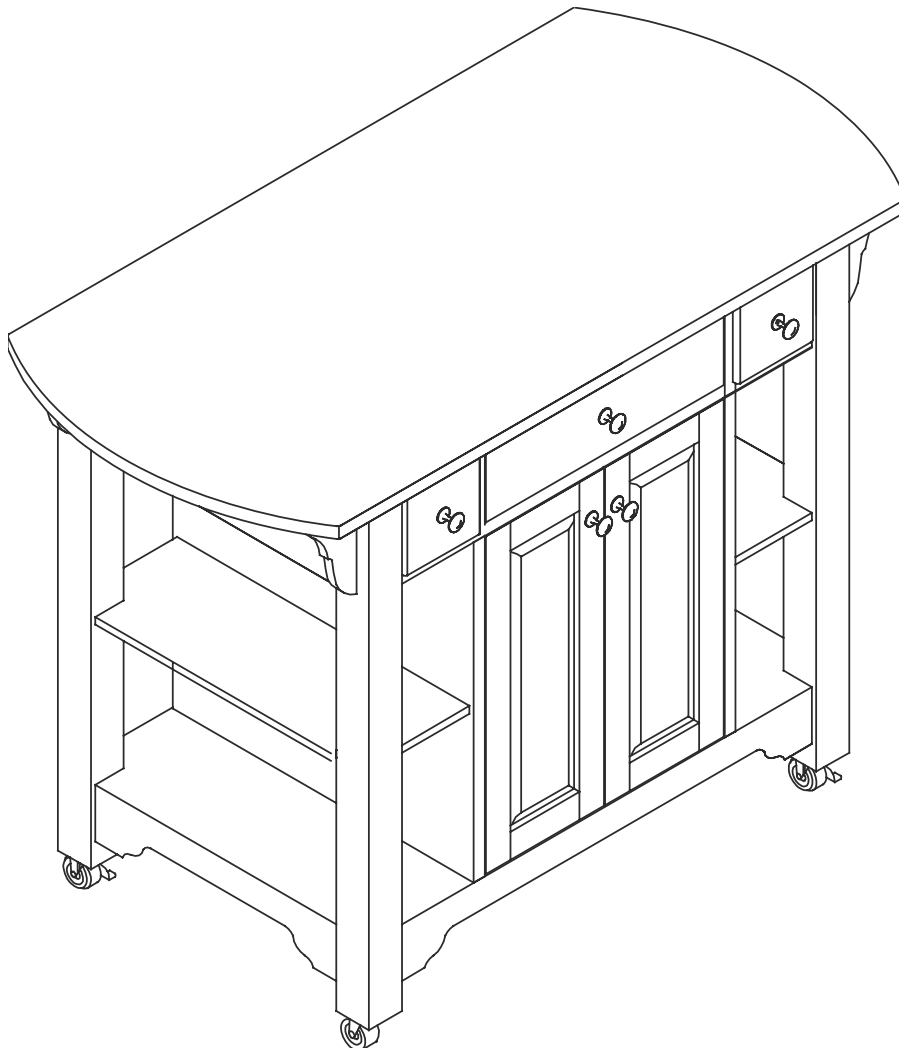


Thank you for purchasing this quality product. Be sure to check all packing material carefully for small parts which may have come loose inside the carton during shipment. Separate, identify, and count all parts and metal hardware. Compare with parts list and hardware illustrations to be sure all parts are present. If any part(s) are missing or damaged, phone, fax, or mail to our Customer Service Department. For efficient and speedy service, please indicate the model number and code letter of part(s) needed.

ATTENTION: SOME LETTERED PARTS LISTED ON THE INSTRUCTION SHEET MAY NOT BE IN PARTS BAG AS THEY MAY ALREADY BE ASSEMBLED. CAREFULLY CHECK PARTS AND PACKING MATERIALS PRIOR TO ORDERING REPLACEMENTS.

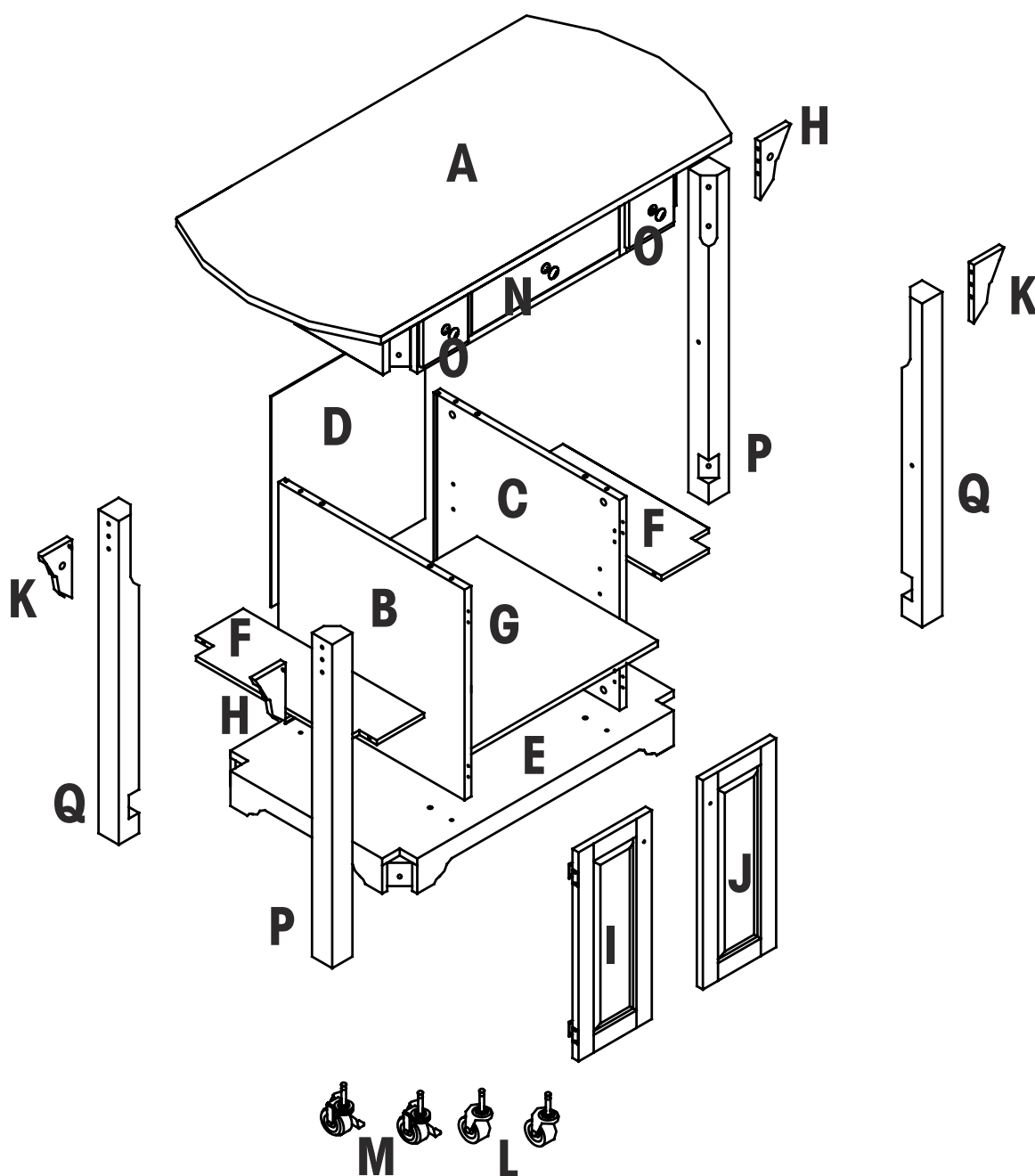
NOTE: Some synthetic floors may have a chemical reaction with the rubber casters used on this product. Please check your warranty instructions from your flooring supplier to verify their product is safe to use with carts that use casters. **ESTIMATED ASSEMBLY TIME 50 MINUTES.**

Tools Required for assembly: Phillips Screwdriver (not included).

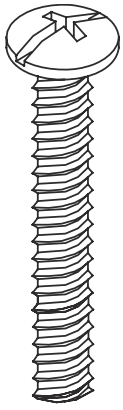


PARTS

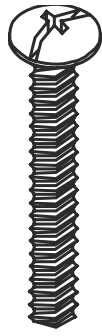
- (A) TOP
- (B) LEFT PANEL
- (C) RIGHT PANEL
- (D) BACK PANEL
- (E) BASE
- (F) SMALL SHELVES (2)
- (G) ADJUSTABLE SHELF
- (H) LEFT BAR SUPPORTS (2)
- (I) LEFT DOOR
- (J) RIGHT DOOR
- (K) RIGHT BAR SUPPORTS (2)
- (L) CASTERS W/O LOCK (2)
- (M) CASTERS W/LOCK (2)
- (N) LARGE DRAWER
- (O) FALSE DRAWERS (2)
- (P) LEFT LEGS (2)
- (Q) RIGHT LEGS (2)



HARDWARE



H1
(12 PCS)



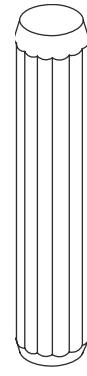
H2
(2 PCS)



H3
(2 PCS)



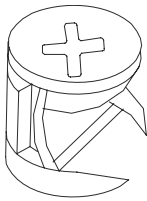
H4
(8 PCS)



H5
(24 PCS)



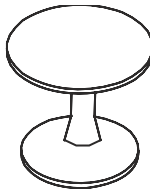
H6
(12 PCS)



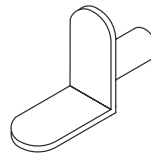
H7
(12 PCS)



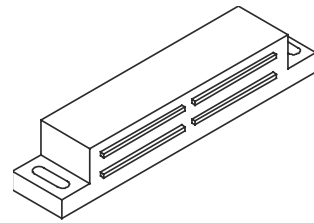
H8
(12 PCS)



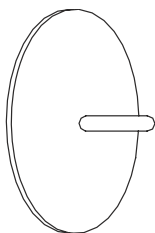
H9
(2 PCS)



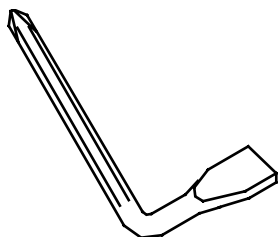
H10
(4 PCS)



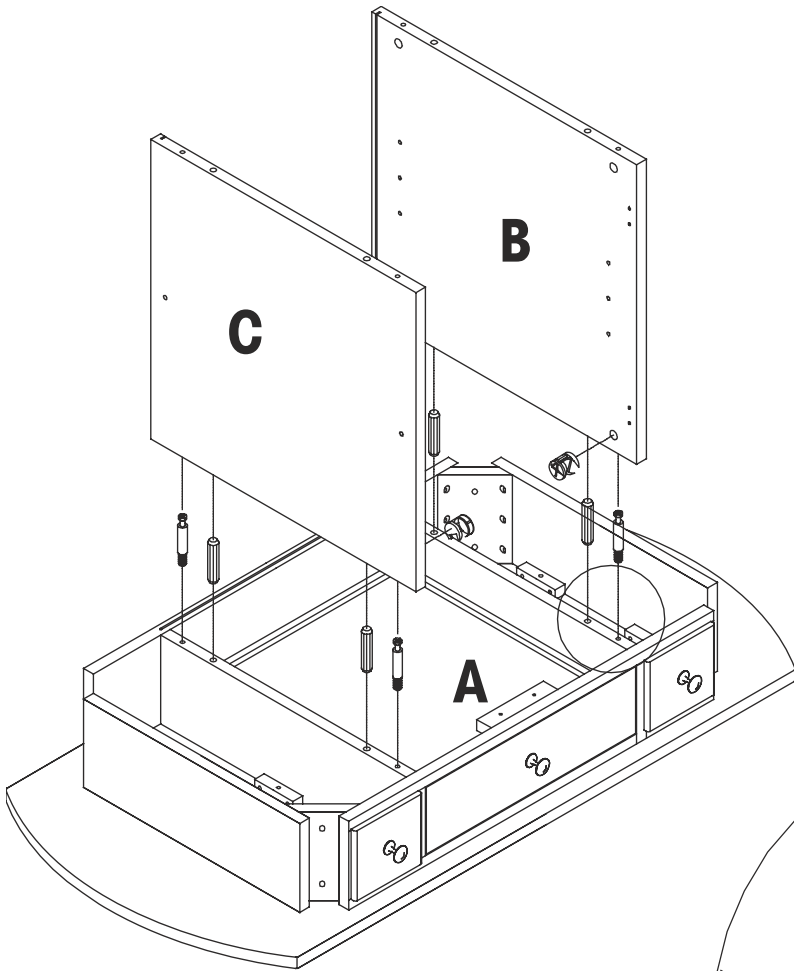
H11
(1 PC)



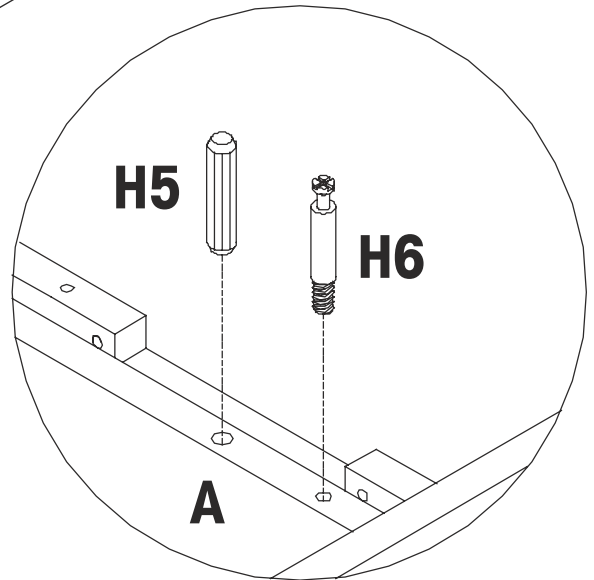
H12
(4 PCS)



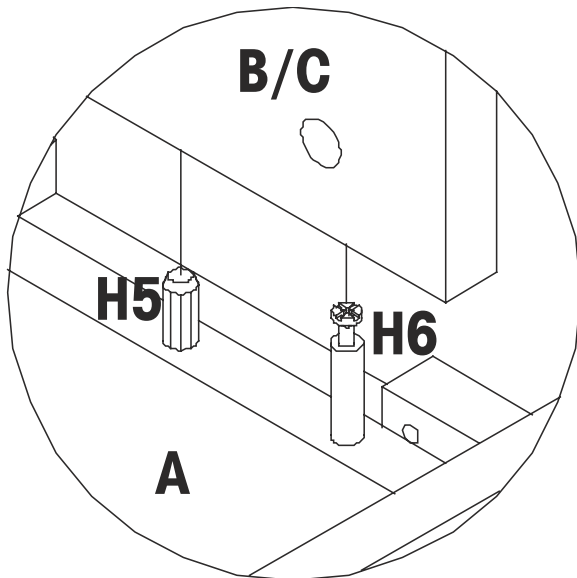
H13
(1 PC)



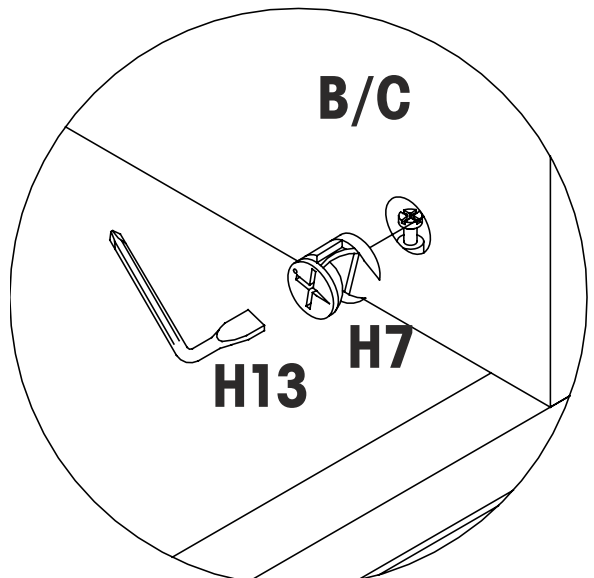
STEP 1



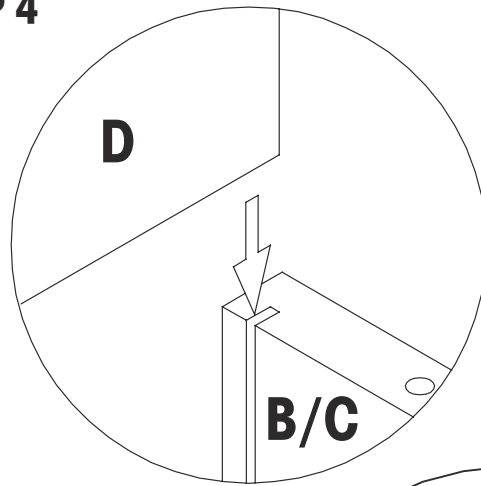
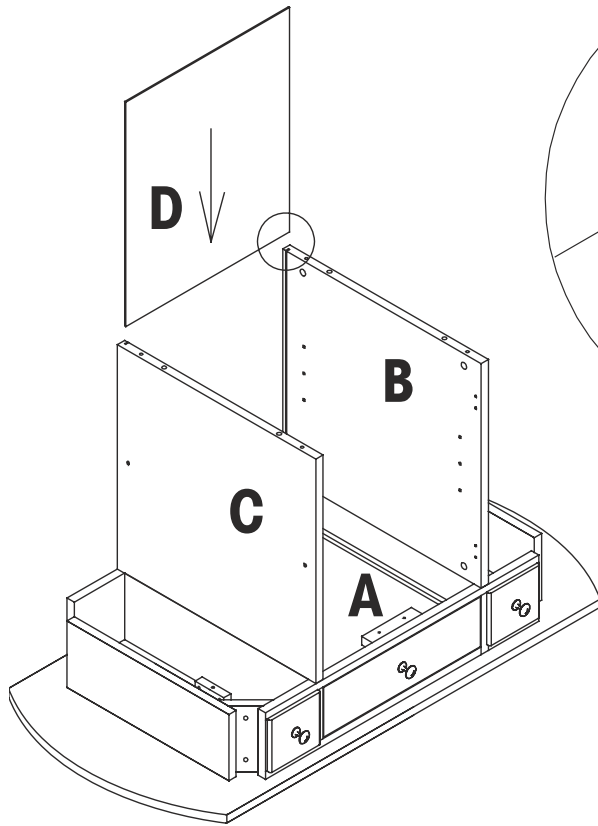
STEP 2



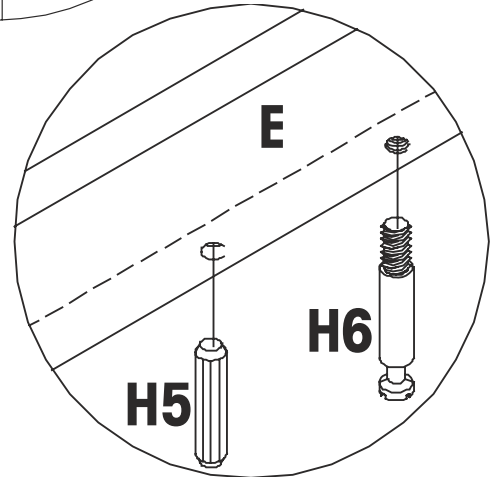
STEP 3



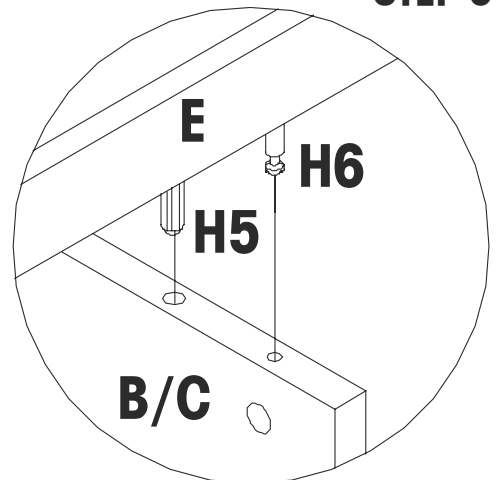
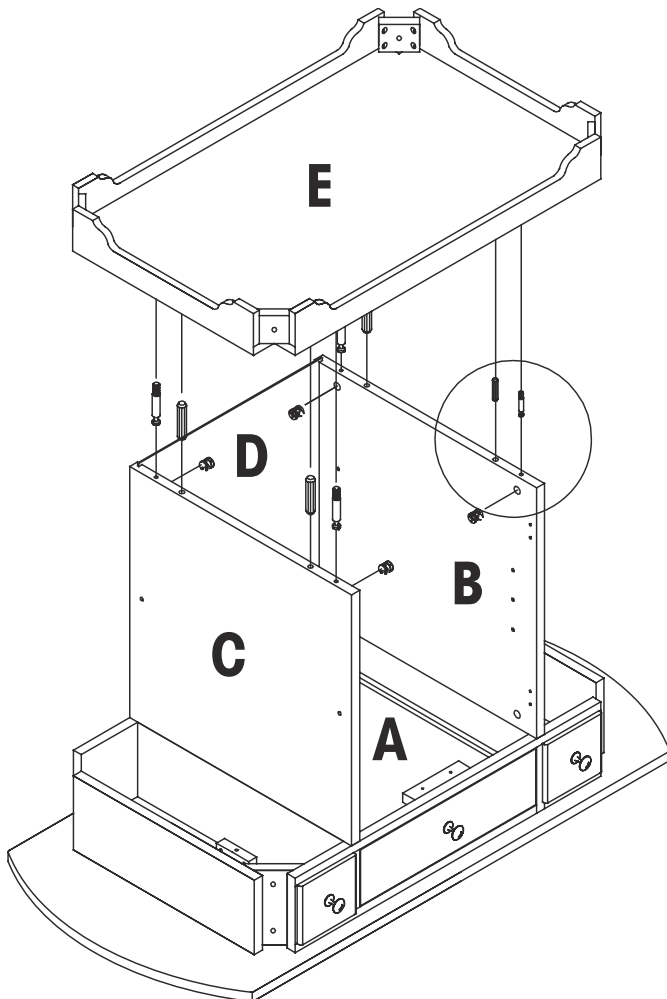
STEP 4



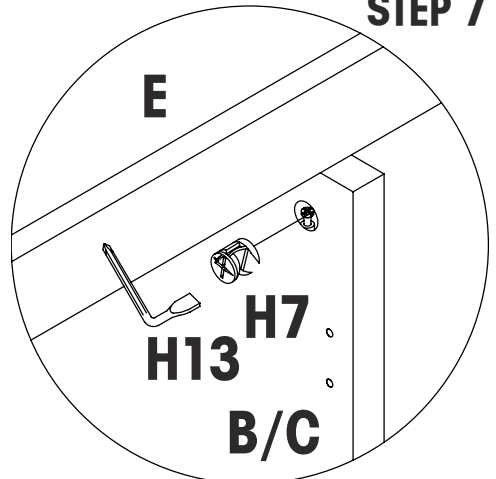
STEP 5



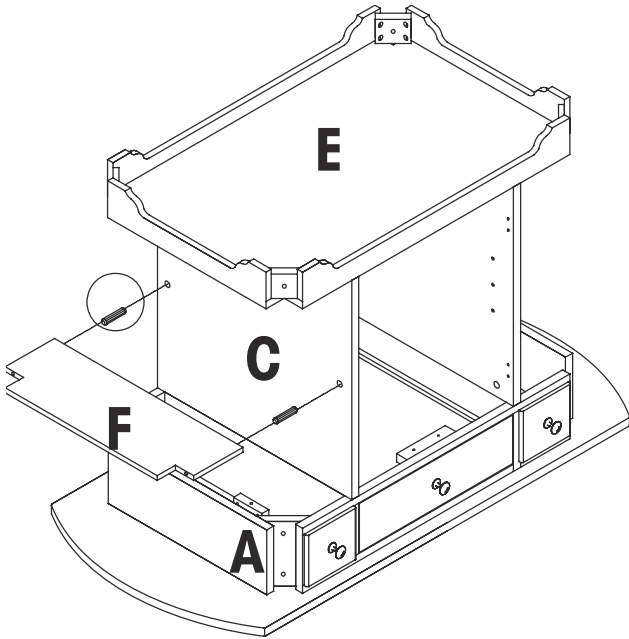
STEP 6



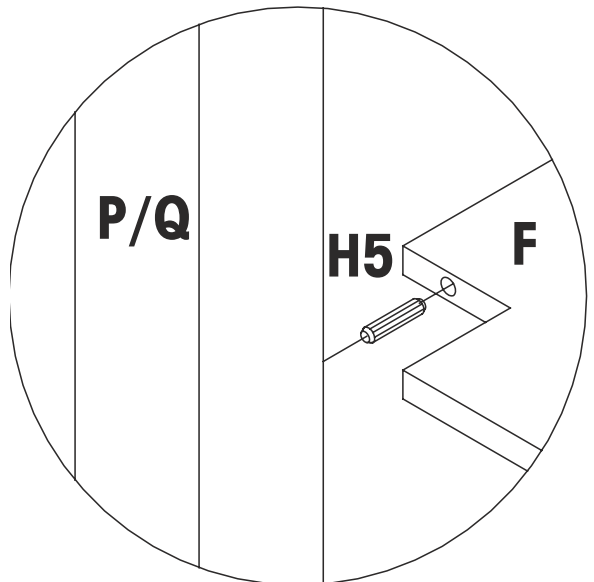
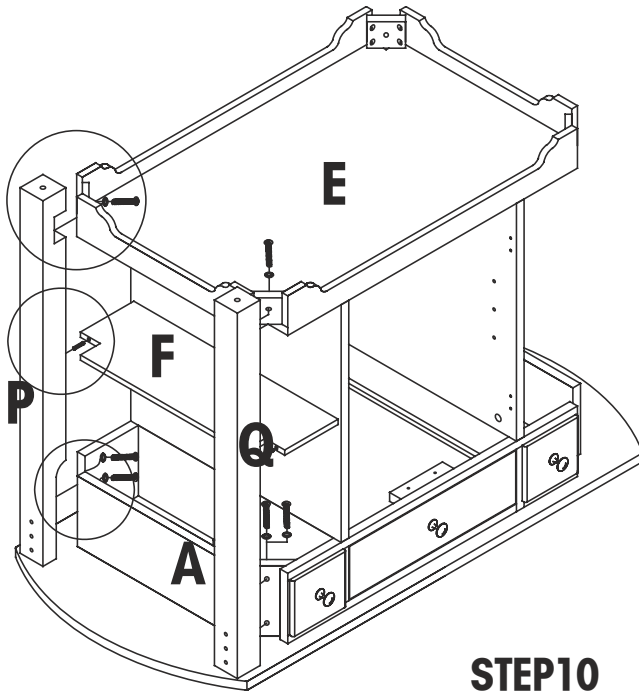
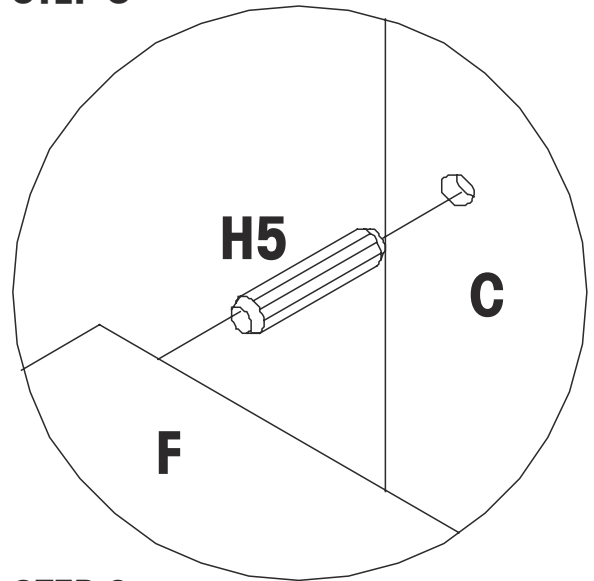
STEP 7



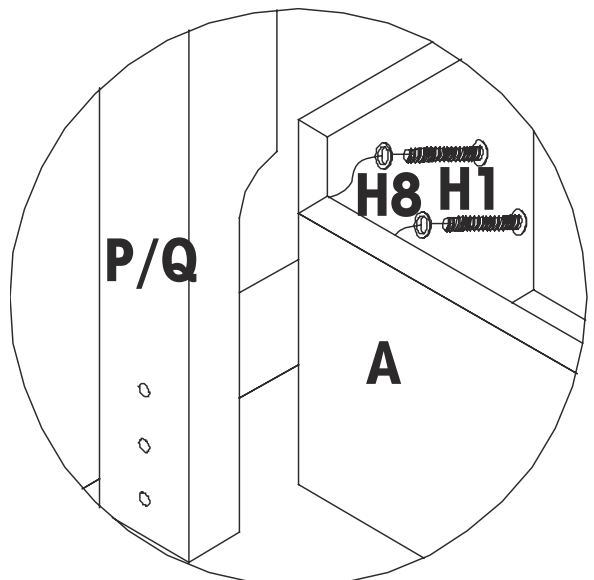
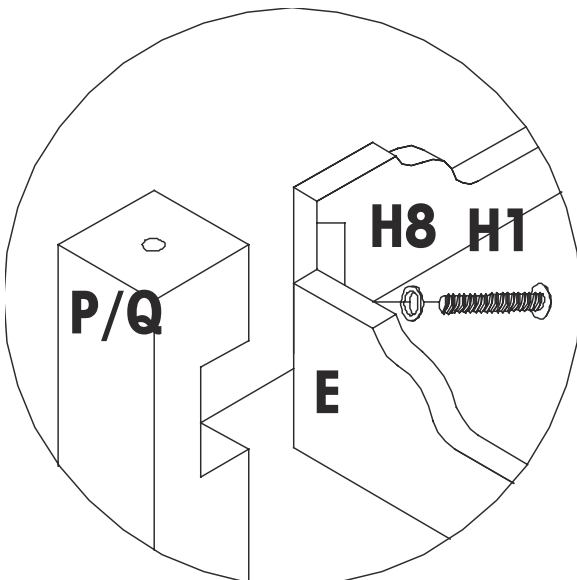
STEP 8

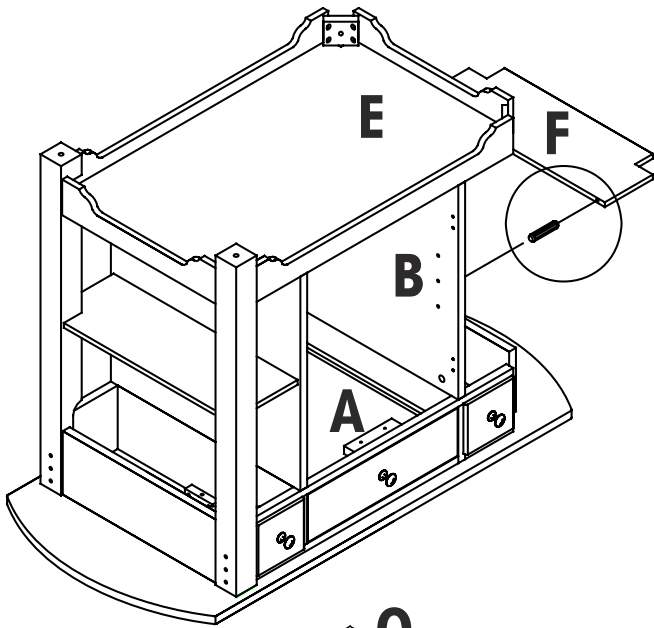


STEP 9

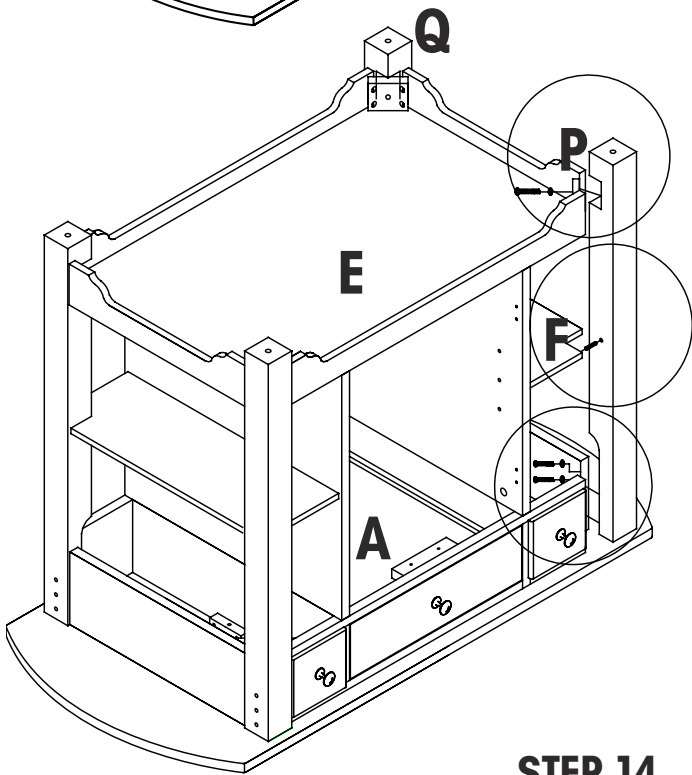
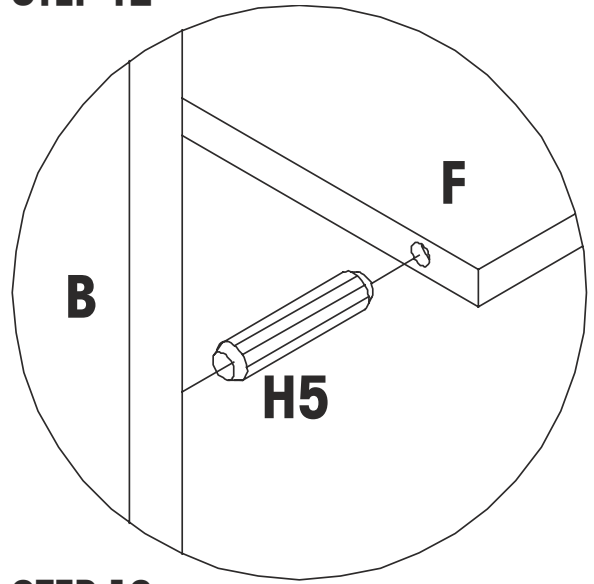


STEP 11

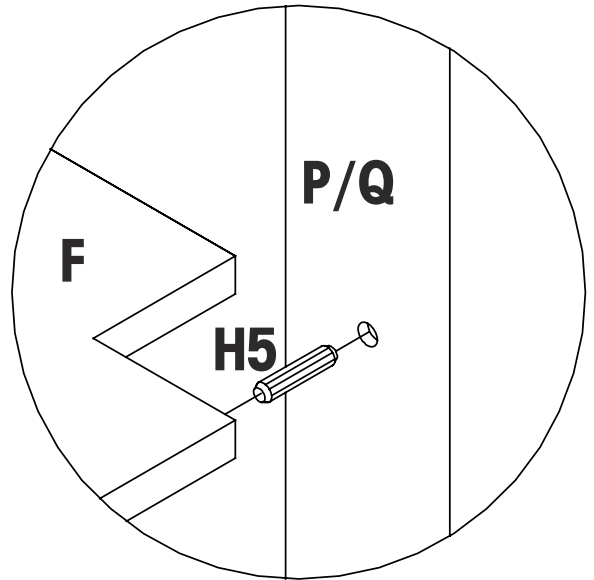




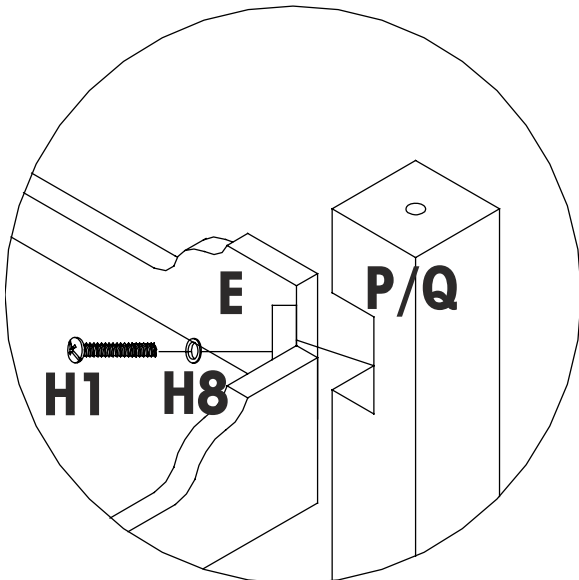
STEP 12



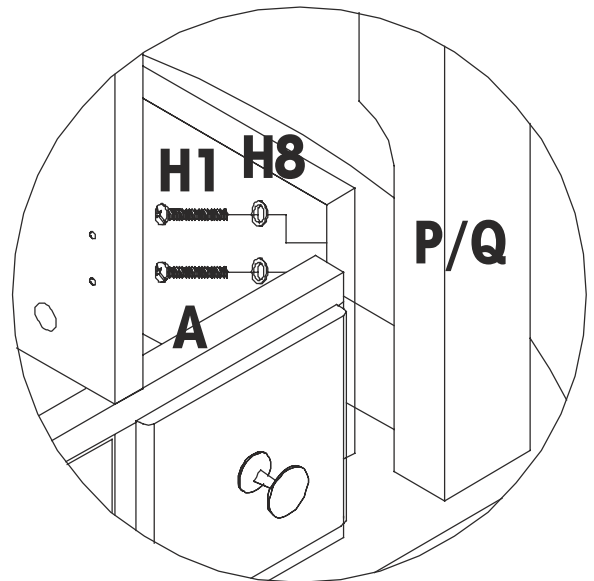
STEP 13

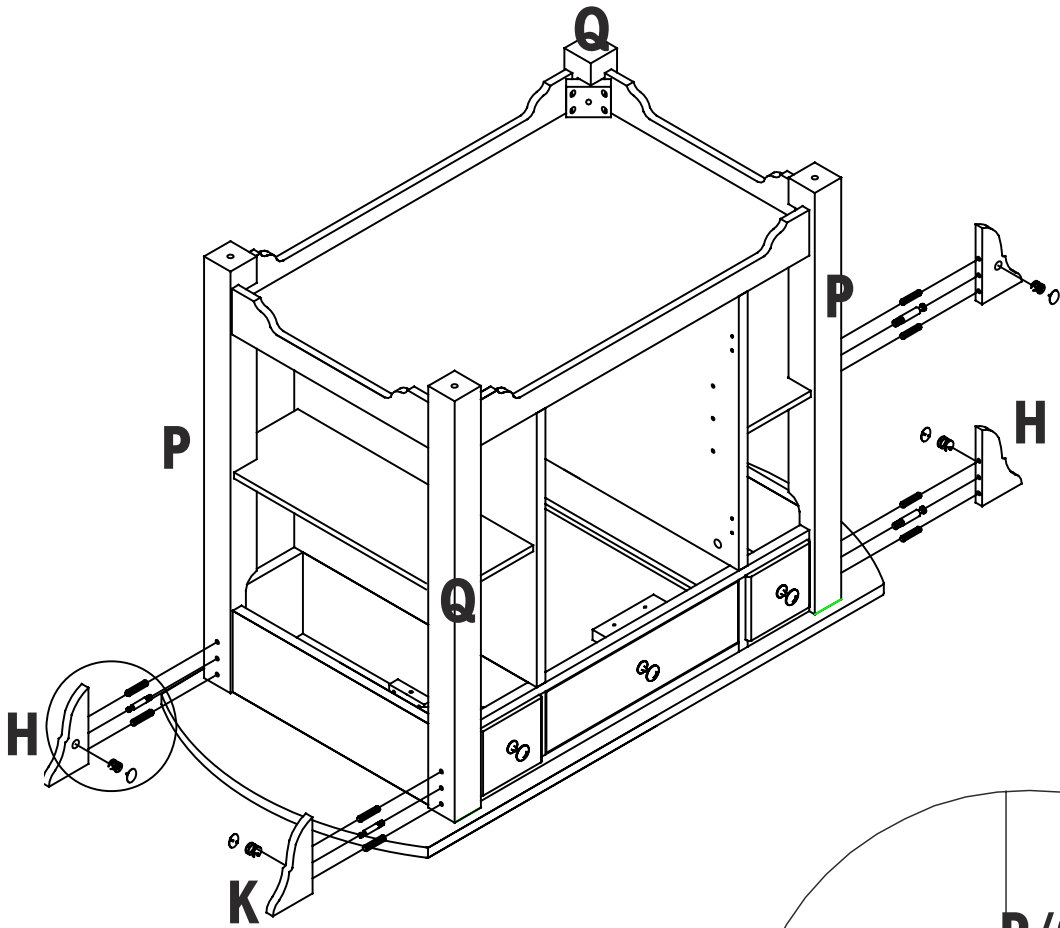


STEP 14

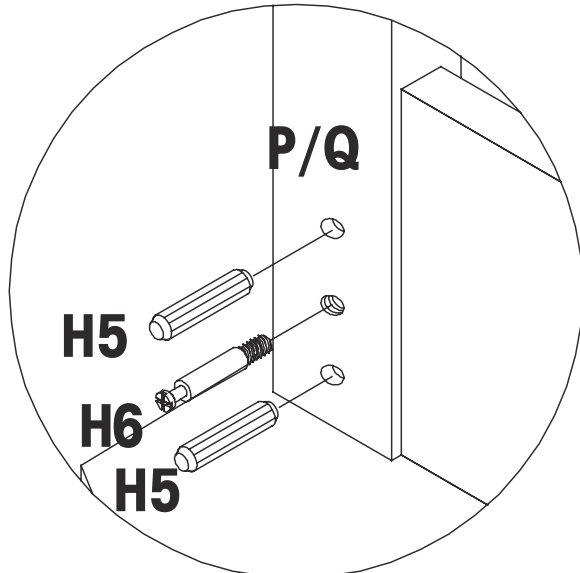


STEP 15

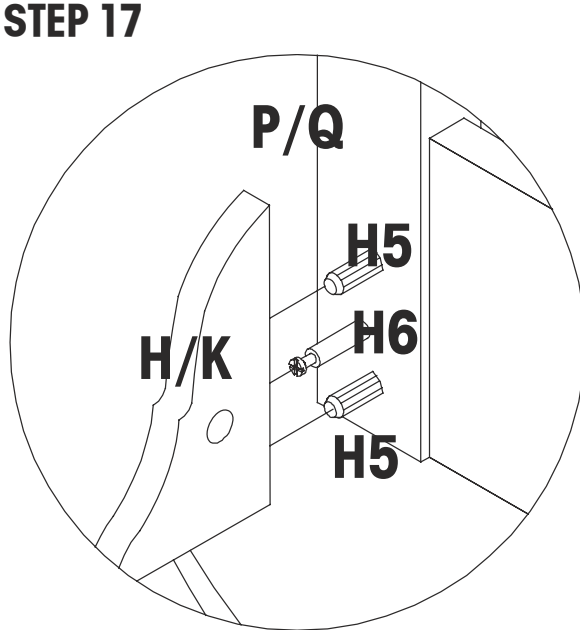




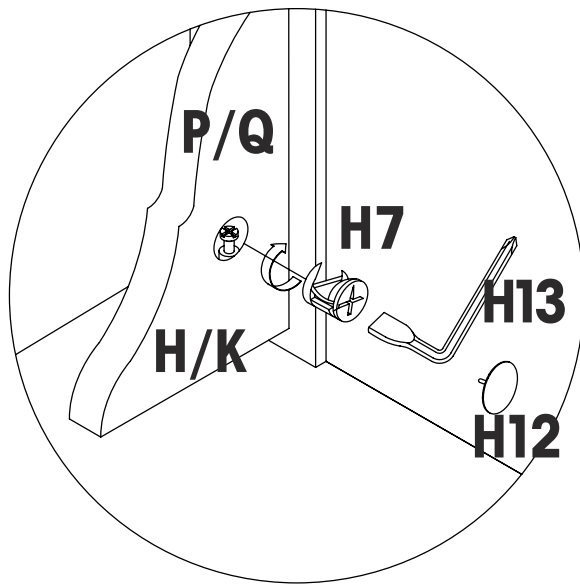
STEP 16



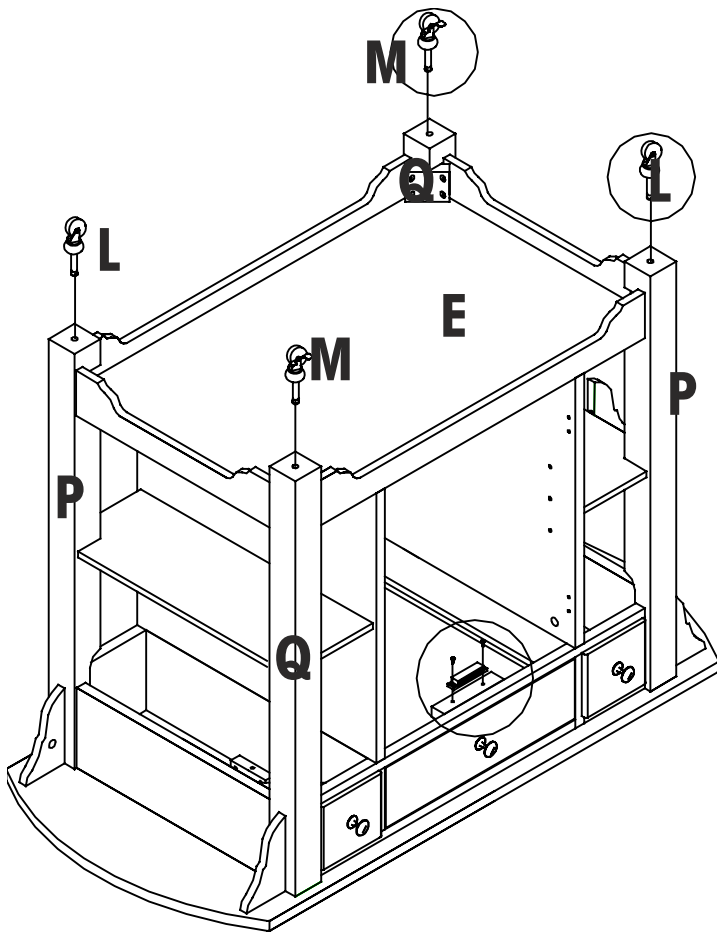
STEP 18



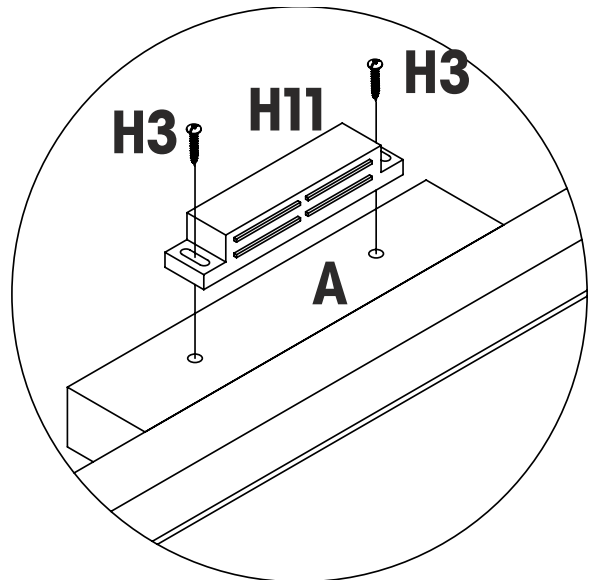
STEP 17



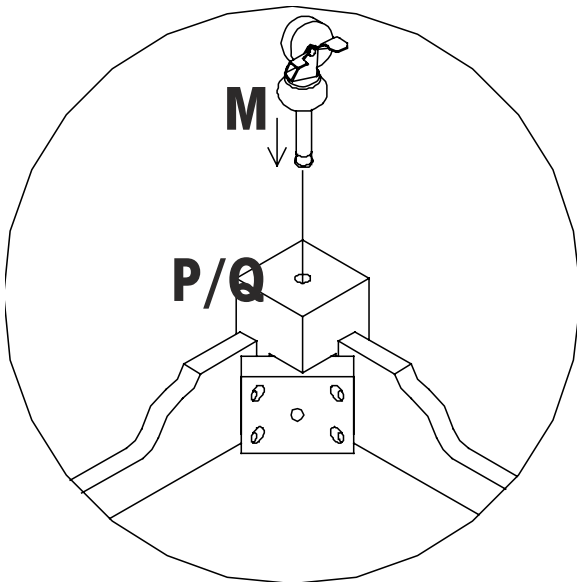
STEP 18



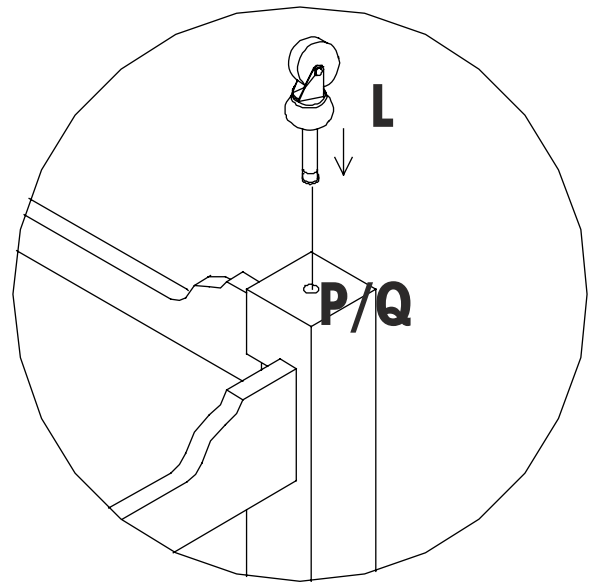
STEP 19

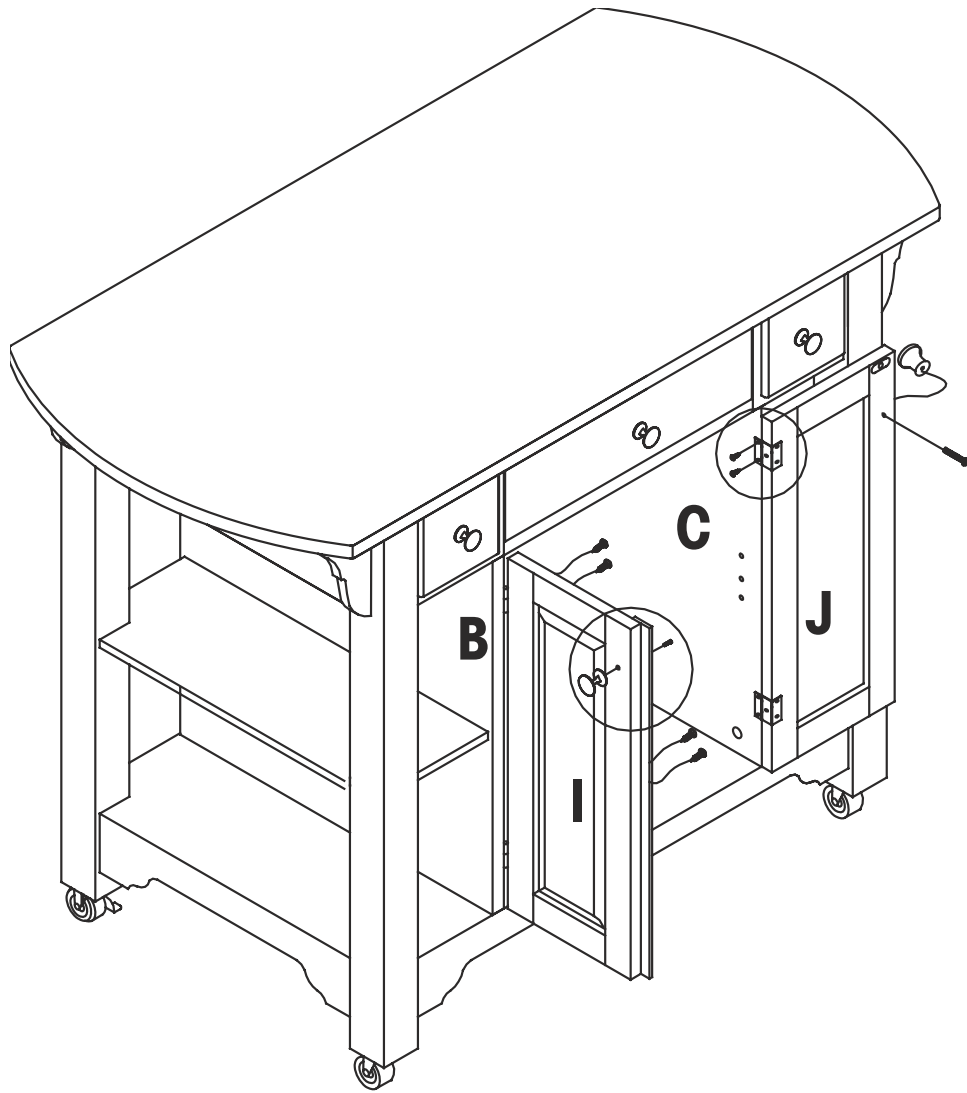


STEP 20

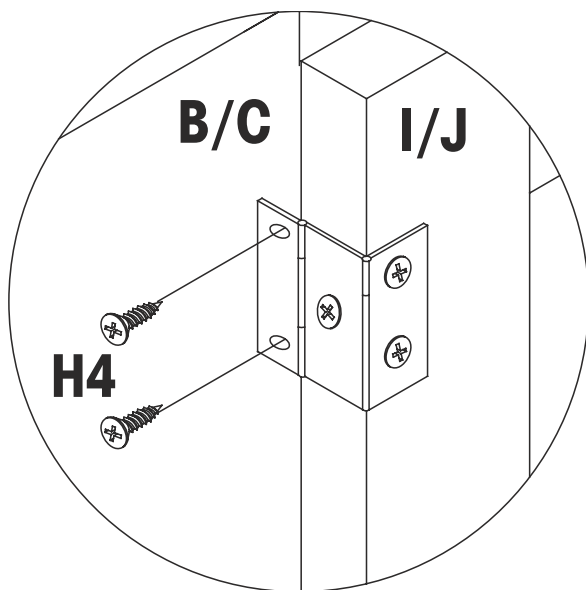


STEP 21

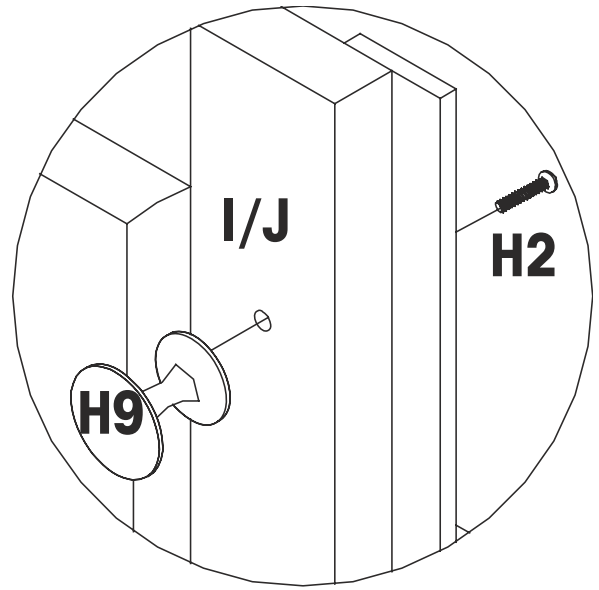


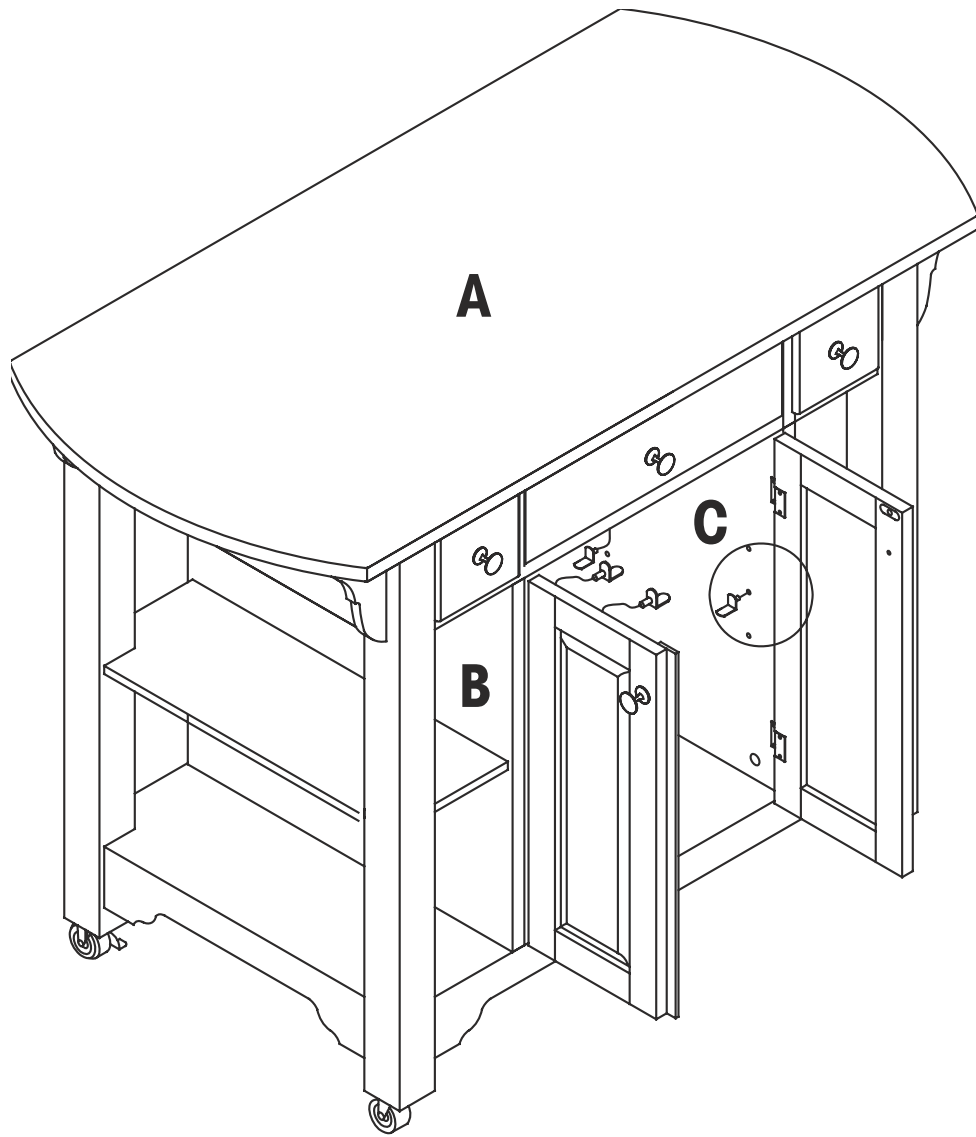


STEP 22

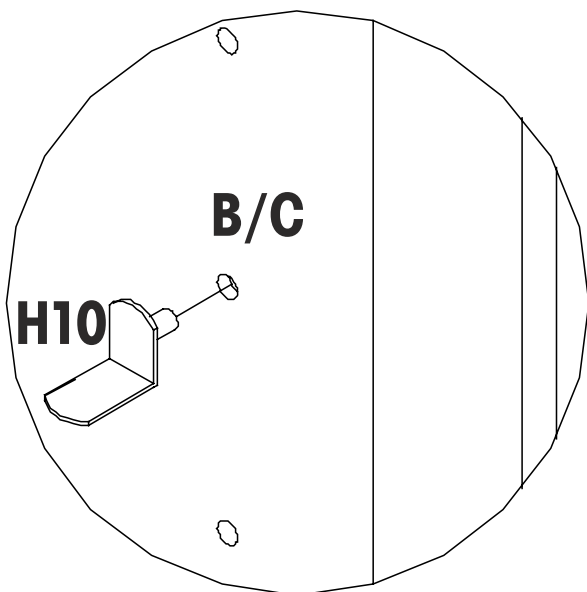


STEP 23

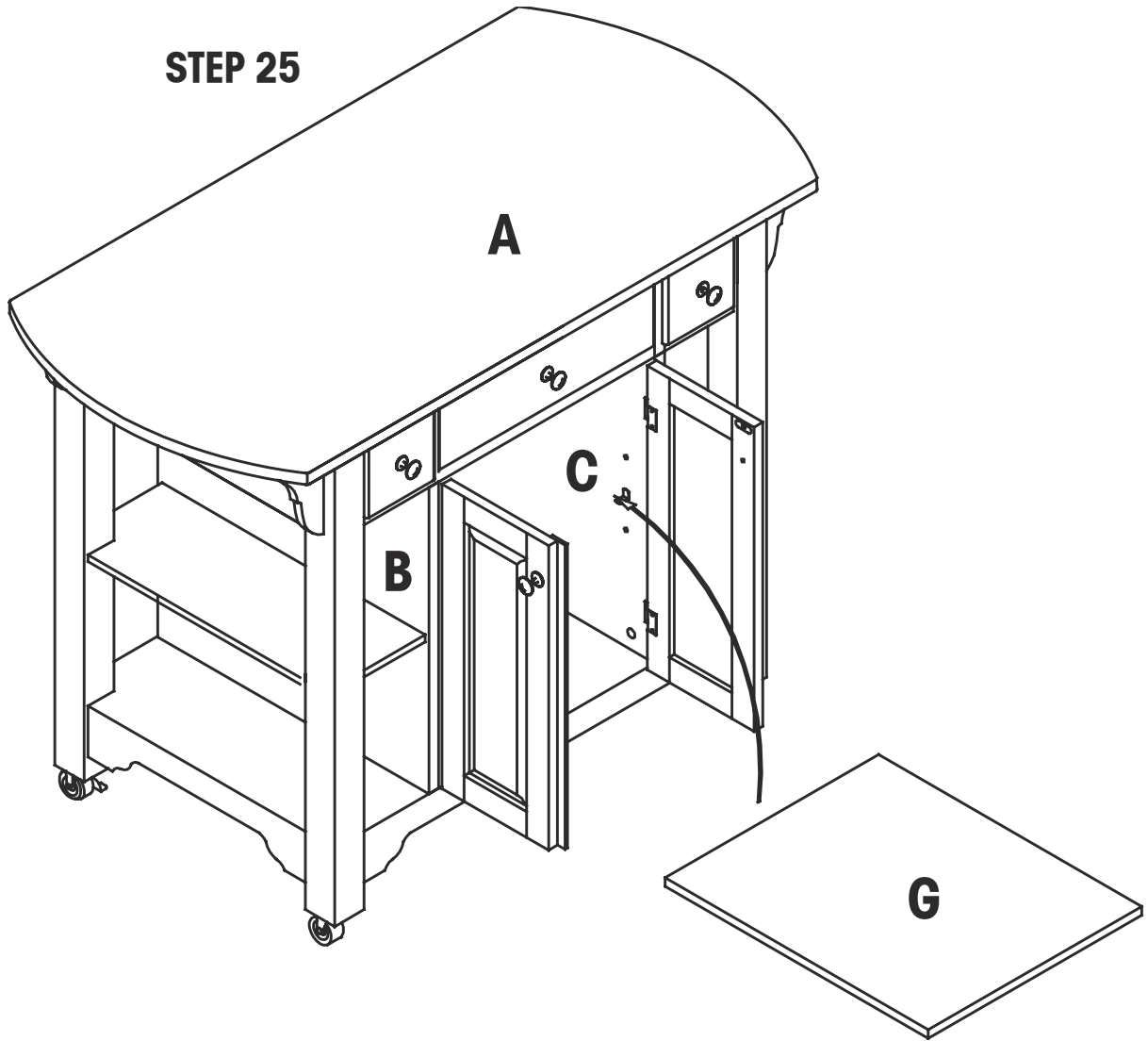




STEP 24



STEP 25



IF YOU HAVE A PROBLEM, WE WANT TO HAVE THE OPPORTUNITY TO MAKE IT RIGHT!

Should there be any missing or defective part(s),
Fax this form to (310) 841-0842
or call Customer Service at (800) 622-4456 or (310) 204-2224
Have your model number and part code letter handy.

MODEL NO. 681-462

© 2007 Powell

Part Letter Description Quantity

Name _____
Address _____

Daytime Phone () _____
Reason for replacement _____

Place of purchase _____