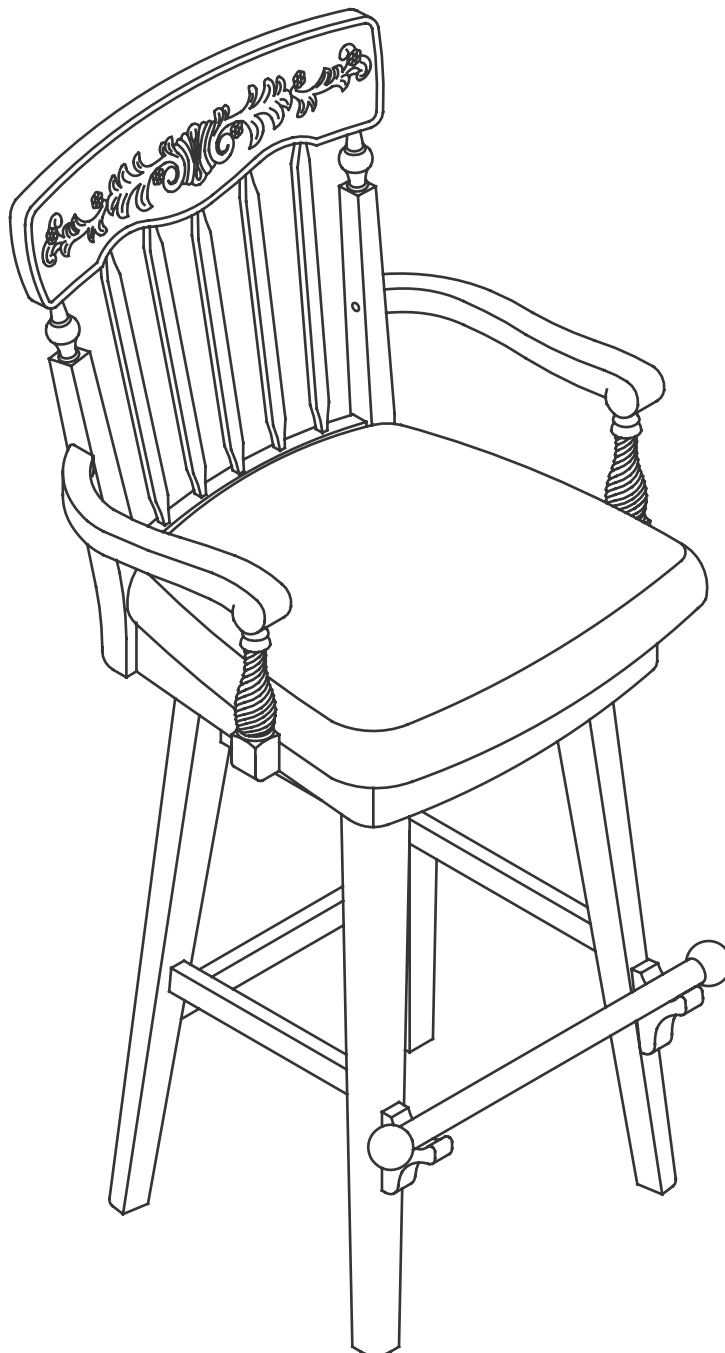


Thank you for purchasing this quality product. Be sure to check all packing material carefully for small parts which may have come loose inside the carton during shipment. Separate, identify, and count all parts and metal hardware. Compare with parts list and hardware illustrations to be sure all parts are present. If any part(s) are missing or damaged, phone, fax, or mail to our Customer Service Department. For efficient and speedy service, please indicate the model number and code letter of part(s) needed.

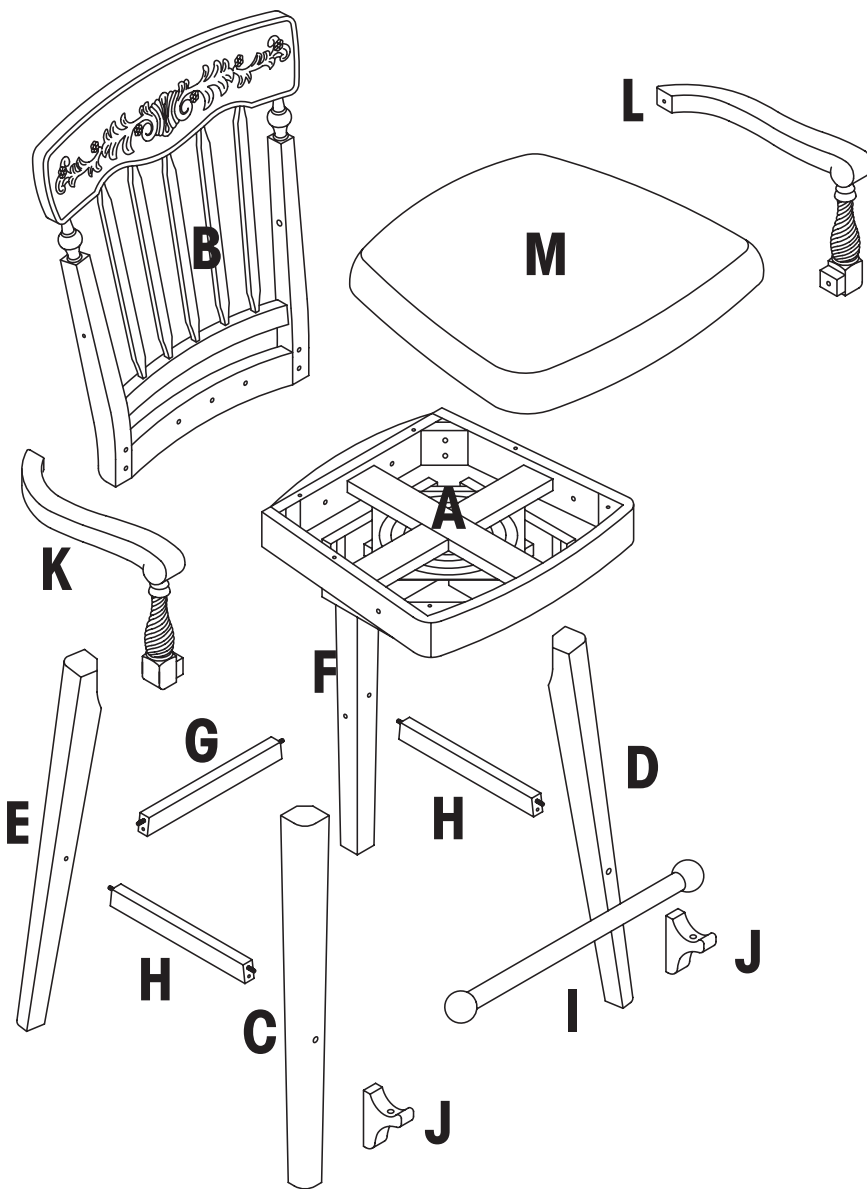
ATTENTION: SOME LETTERED PARTS LISTED ON THE INSTRUCTION SHEET MAY NOT BE IN PARTS BAG AS THEY MAY ALREADY BE ASSEMBLED. CAREFULLY CHECK PARTS AND PACKING MATERIALS PRIOR TO ORDERING REPLACEMENTS.

Tools Required for assembly: Allen Wrench (included)



PARTS

- (A) SEAT FRAME
- (B) BACK PANEL
- (C) FRONT LEFT LEG
- (D) FRONT RIGHT LEG
- (E) REAR LEFT LEG
- (F) REAR RIGHT LEG
- (G) REAR CROSS BRACE
- (H) SIDE CROSS BRACES (2)
- (I) FRONT CROSS BRACE
- (J) SUPPORTS (2)
- (K) LEFT ARM
- (L) RIGHT ARM
- (M) CUSHION



HARDWARE



N
(2 PCS)



O
(2 PCS)



P
(16 PCS)



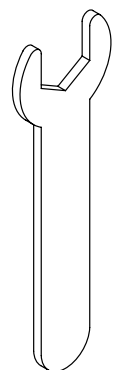
Q
(18 PCS)



R
(4 PCS)



S
(1 PC)



T
(1 PC)

HARDWARE



U
(4 PCS)



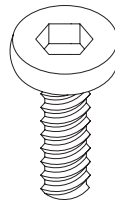
V
(2 PCS)



W
(10 PCS)



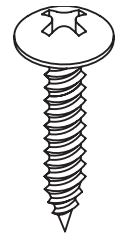
X
(2 PCS)



Y
(2 PCS)

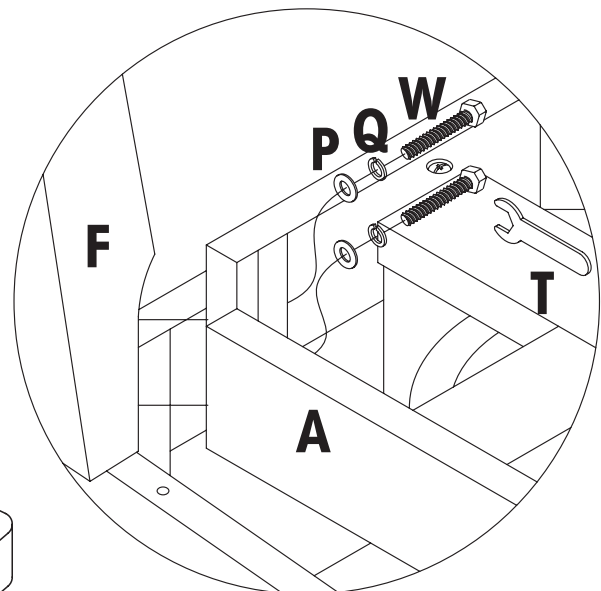
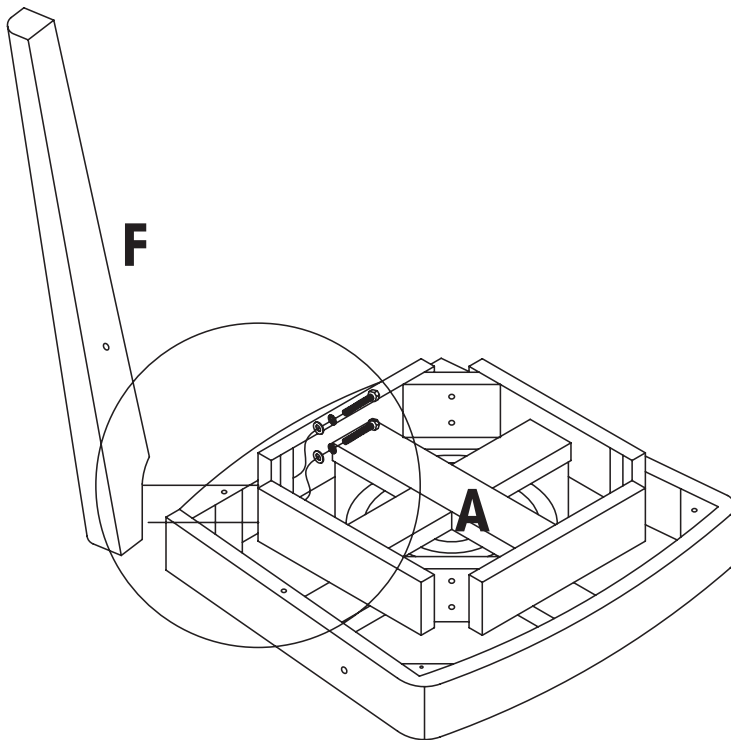


Z
(6 PCS)

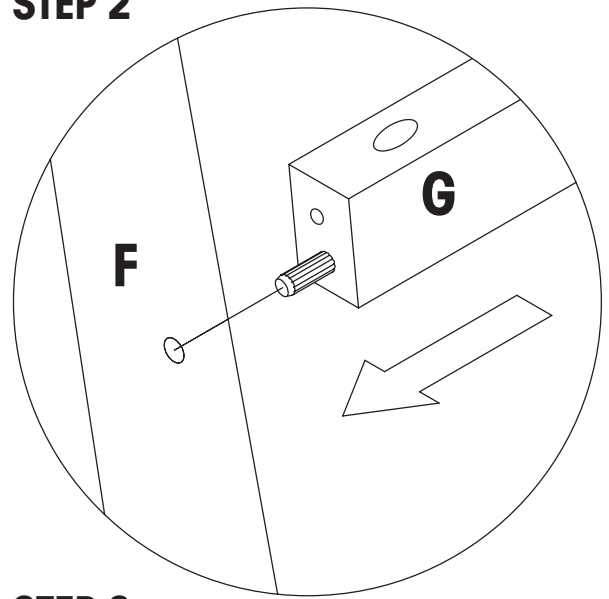


Aa
(6 PCS)

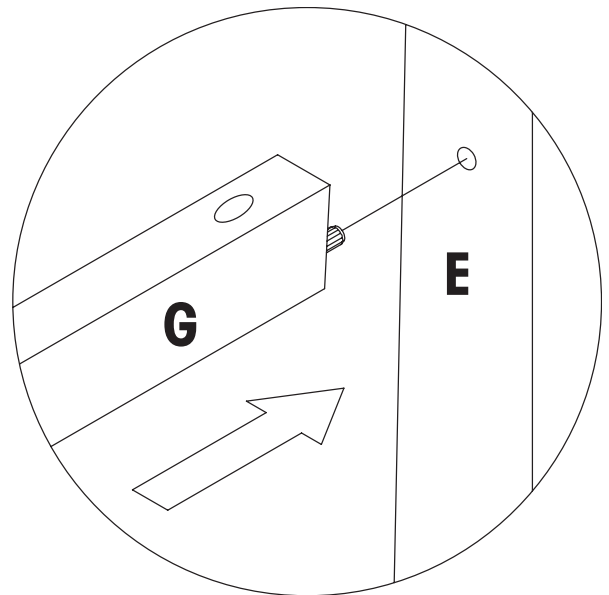
STEP 1



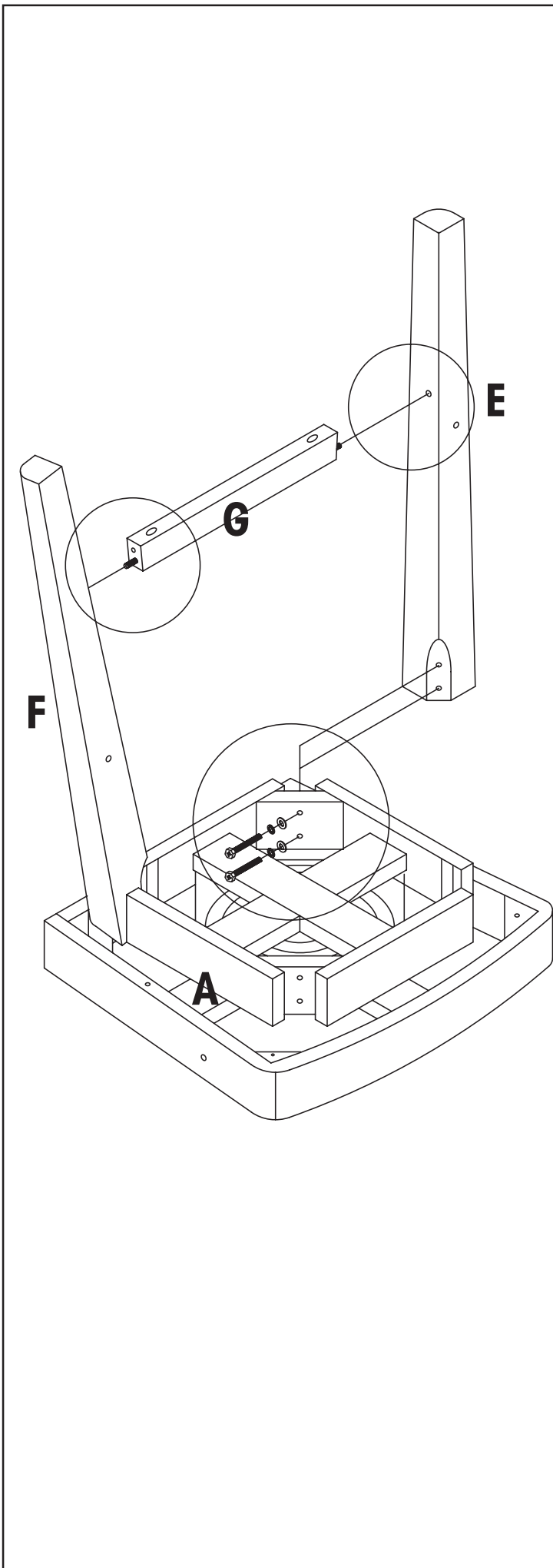
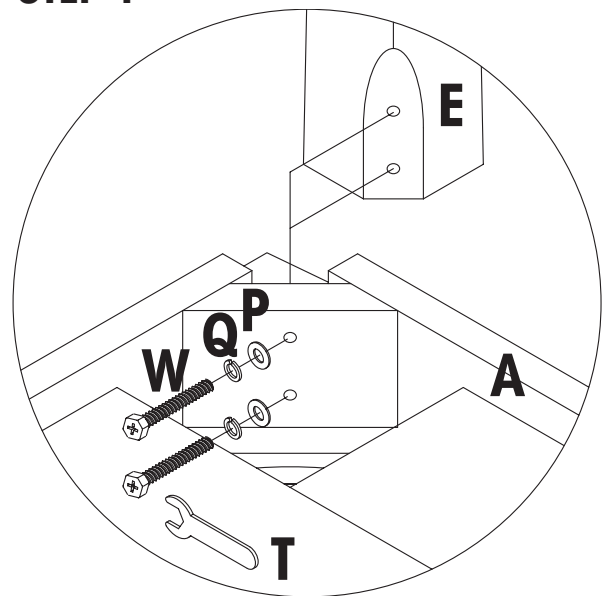
STEP 2



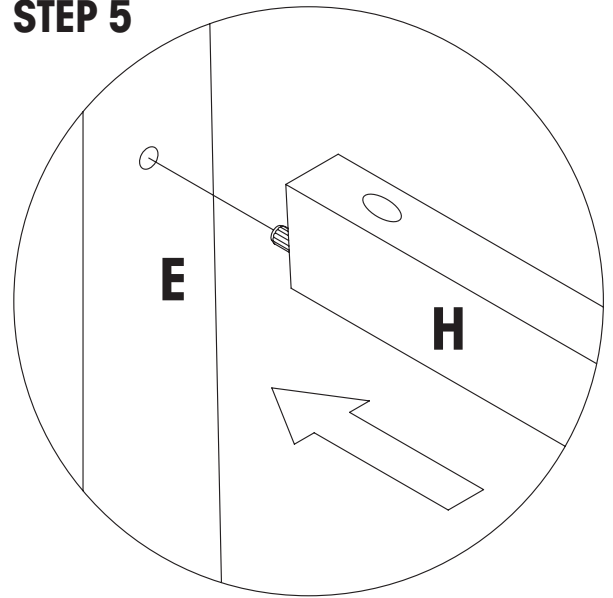
STEP 3



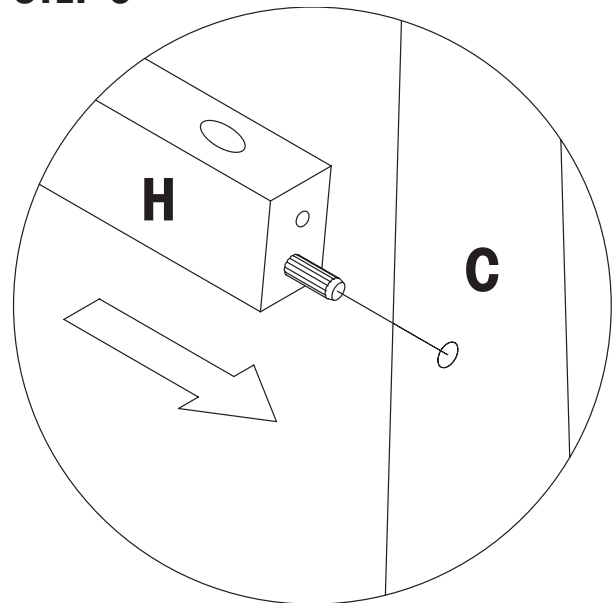
STEP 4



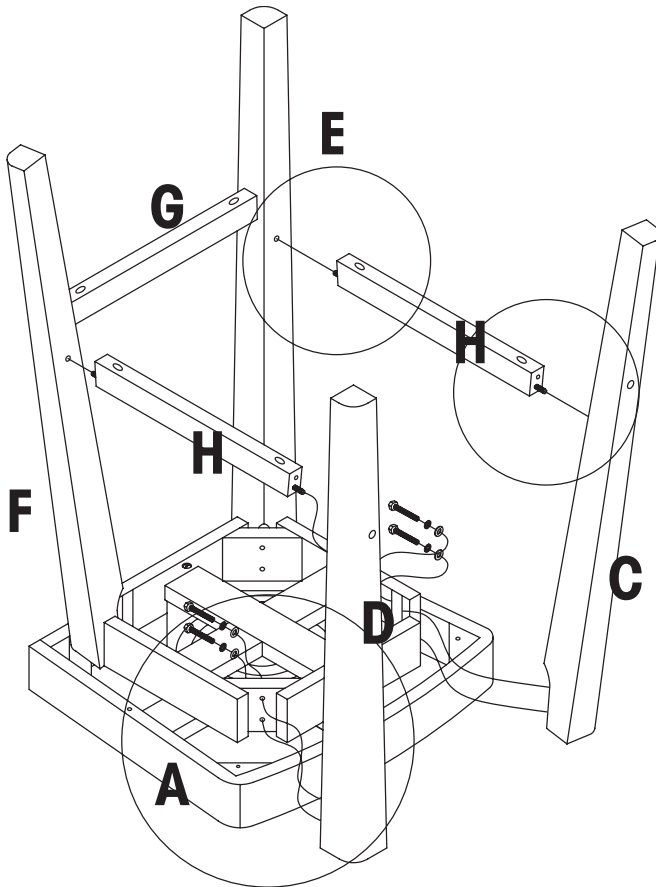
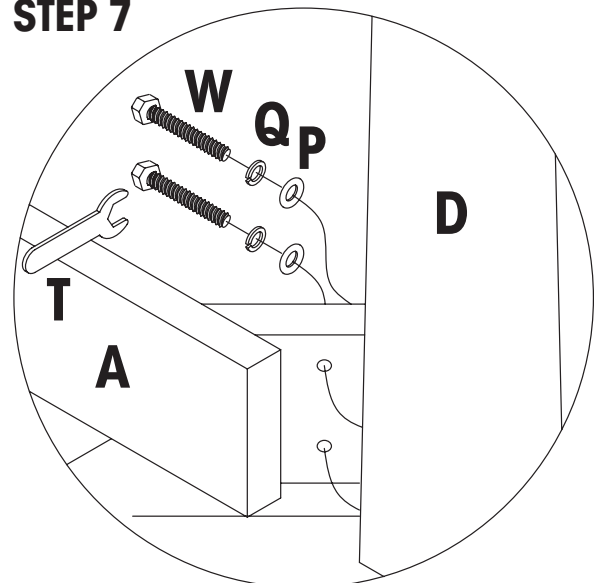
STEP 5



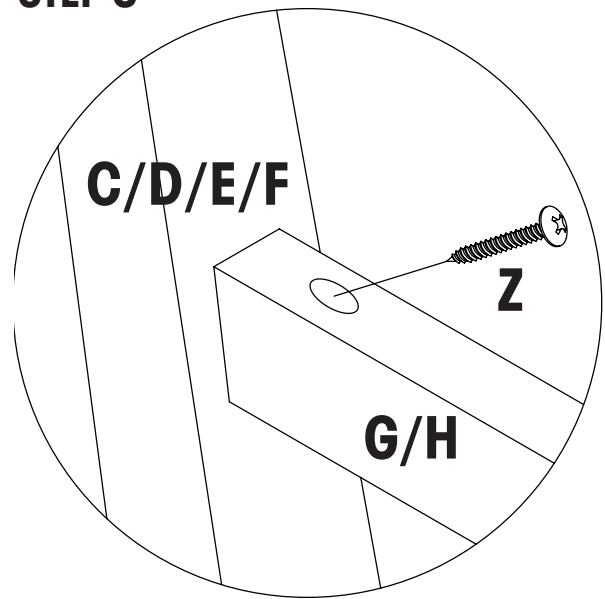
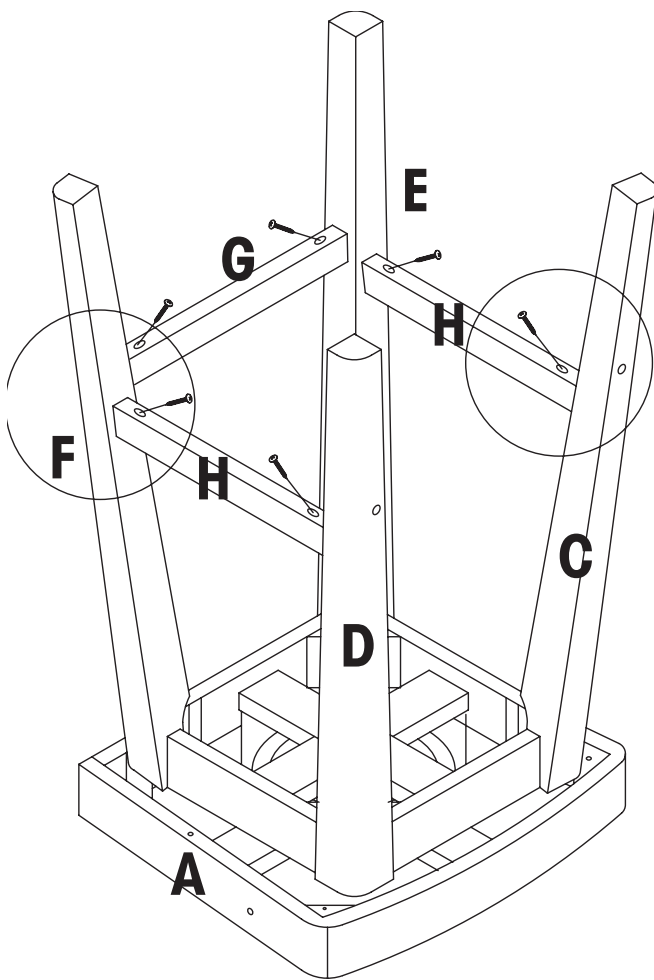
STEP 6



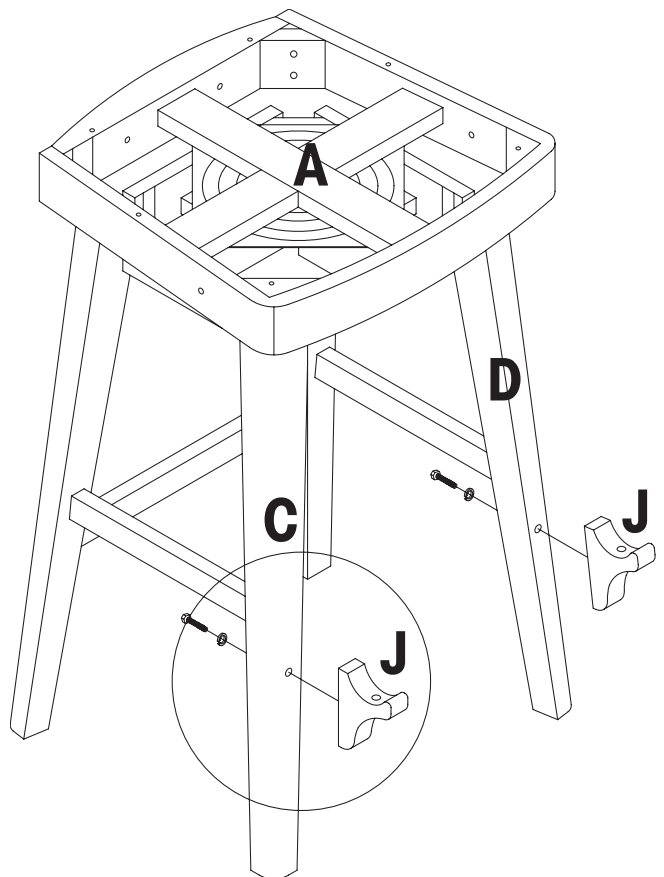
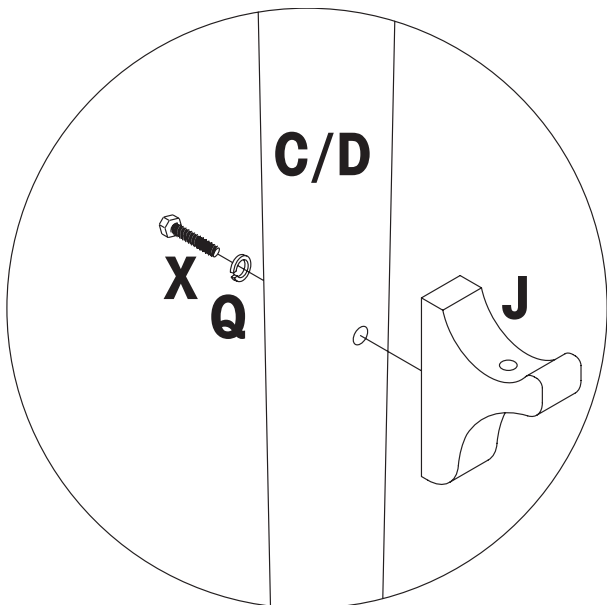
STEP 7

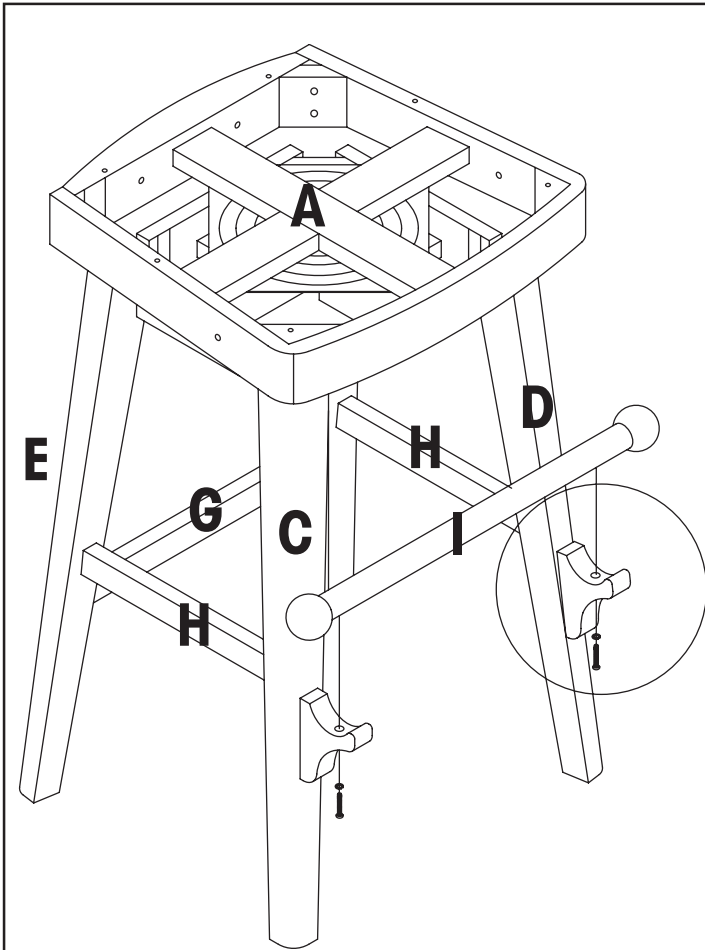


STEP 8

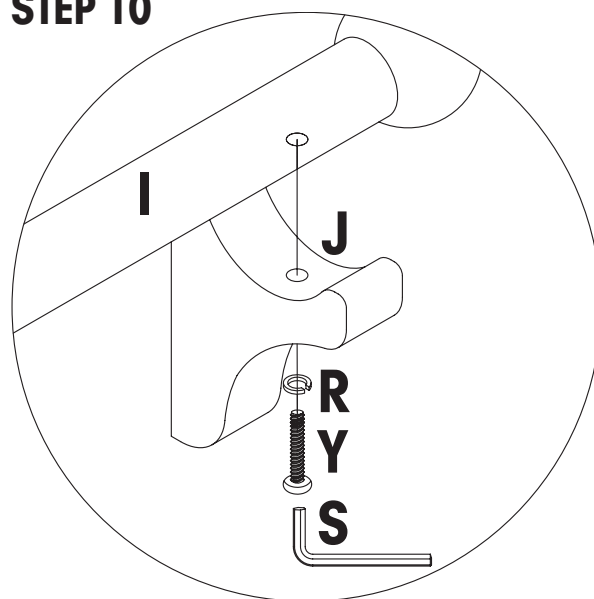


STEP 9

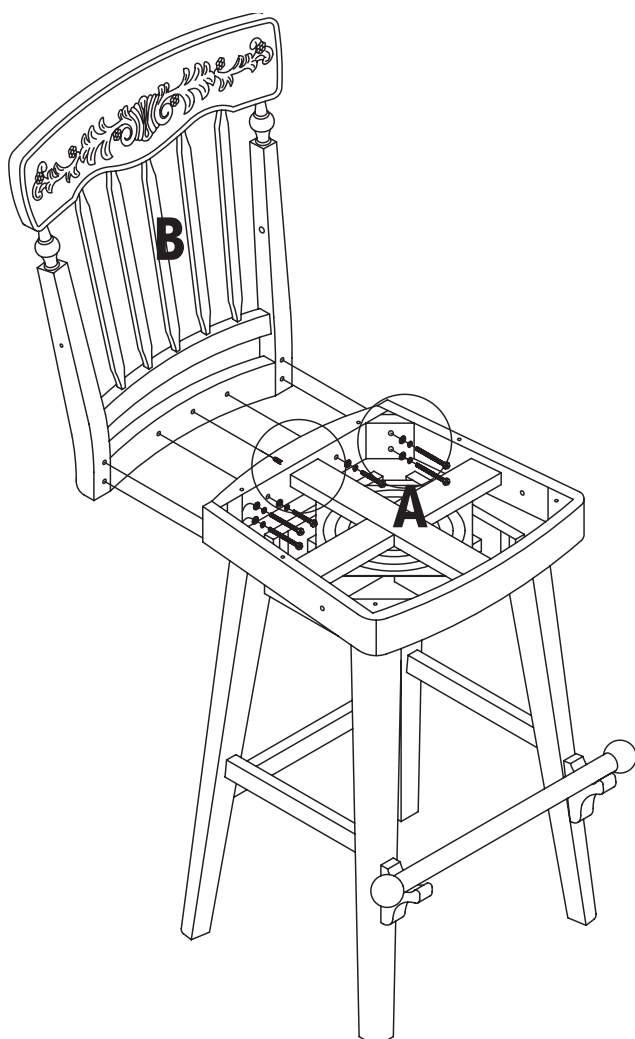
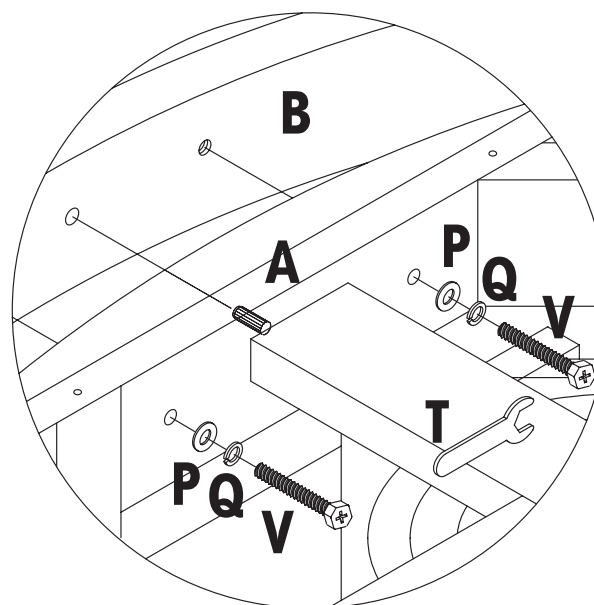




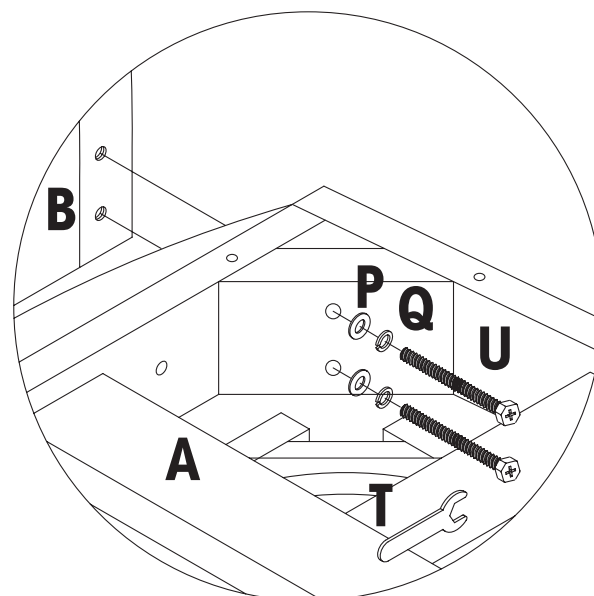
STEP 10

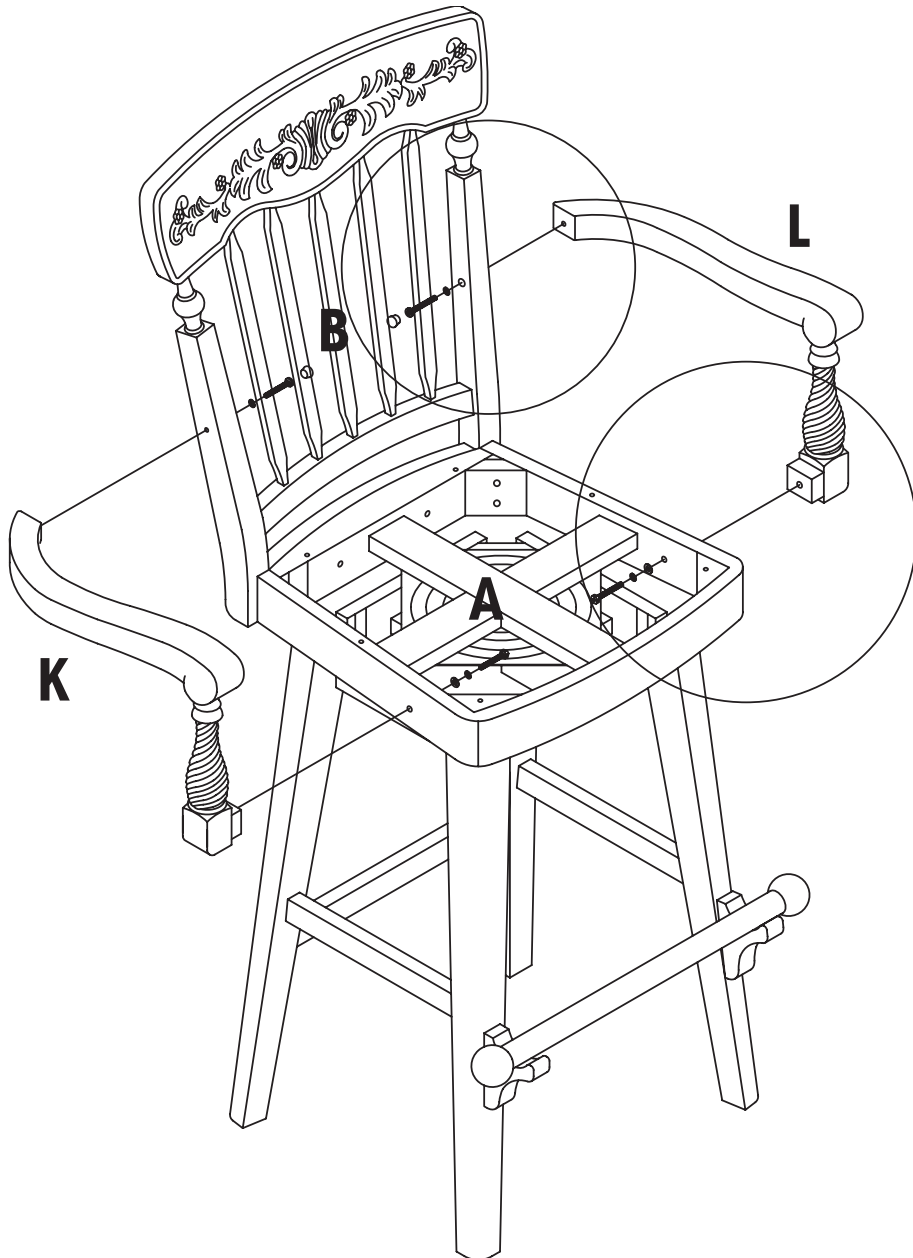


STEP 11



STEP 12





STEP 13

STEP 14

